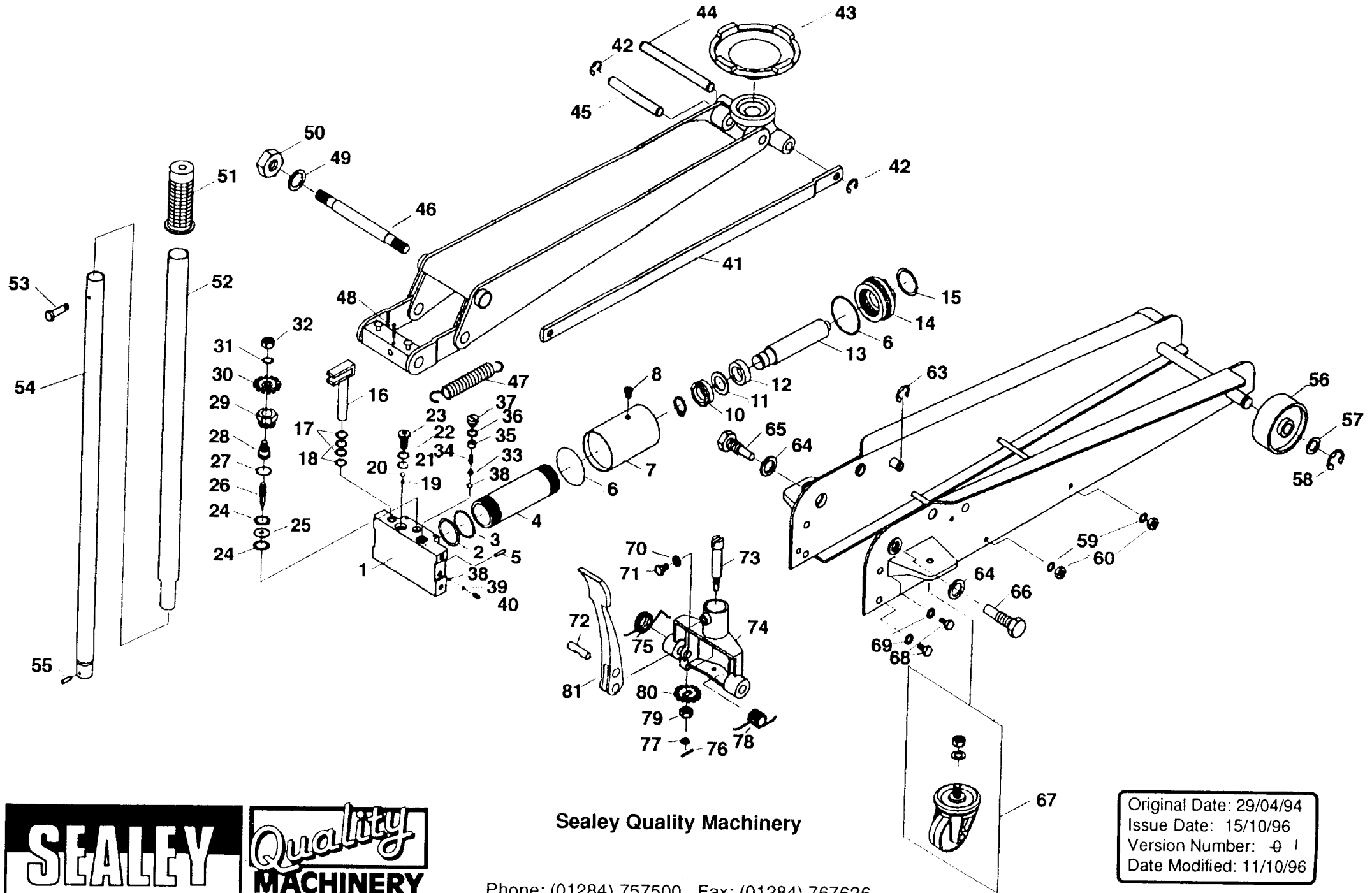


# 2150HL TROLLEY JACK PARTS DIAGRAM



Sealey Quality Machinery

Phone: (01284) 757500 Fax: (01284) 767626

Original Date: 29/04/94  
 Issue Date: 15/10/96  
 Version Number: 01  
 Date Modified: 11/10/96



## 2150HL TROLLEY JACK PARTS LIST

Part no.	Stock Code	Description	Qty
1	115/413-6-1201-208	Base	1
2*	115/511-7-0445-202	O-Ring	1
3*	115/577-7-0483-109	Back-up Ring	1
4	115/483-6-1807-200	Cylinder	1
5	115/532-8-0050-024	Filter	1
6*	115/511-7-0635-106	O-Ring	2
7	115/483-6-1803-101	Reservoir	1
8	115/324-4-1900-208	Filler Screw Assy.	1
10*	115/522-7-0411-109	U-Cup	1
11*	115/577-7-0400-008	Back-up Washer	1
12	115/486-6-1102-203	Ram Bearing	1
13	115/G11-6-1101-107	Piston Rod	1
14	115/483-6-1204-109	Top Nut	1
15*	115/511-7-0320-303	O-Ring	1
16	115/G03-3-1402-109	Pump Piston	1
17*	115/573-7-0150-012	Back-up Ring	2
18*	115/511-7-0150-405	O-Ring	2
19*	115/601-7-0008-009	Steel Ball	1
20*	115/601-7-0012-000	Steel Ball	1
21*	115/511-7-0160-408	O-Ring	1
22*	115/513-3-0161-107	Washer	1
23	115/401-6-1212-403	Screw	1
24*	115/513-3-0200-019	Nylon Packing	1
25	115/401-6-1302-101	Collar	1
26	115/G11-6-1303-200	Release Valve	1
27*	115/511-7-0160-408	O-Ring	1
28	115/401-6-1304-509	Connecting Rod	1
29	115/401-6-1305-400	Lock Nut	1
30	115/486-6-1306-108	Release Valve Gear	1
31	115/605-3-0100-203	Lock Washer	1
32	115/661-2-0100-014	Nut	1
33	115/504-9-0108-300	Spring Cap	1
34	115/511-2-0103-011	Safety Spring	1
35	115/401-6-1215-207	Safety Valve Screw	1
36*	115/581-7-0125-008	Packing	1
37	115/401-6-1217-100	Guard Screw	1
38	115/601-7-0007-007	Steel Ball	1
39*	115/503-9-0067-103	Spring Cap	1
40	115/644-1-0080-004	Hex Set Screw	1
41	115/483-6-4305-201	Parallel Link	2
42	115/677-5-0120-009	Retaining Ring "E"	4
43	115/413-6-4001-306	Saddle	1
44	115/483-6-4004-207	Parallel Link Pin	1
45	115/483-6-4005-209	Saddle Holder Pin	1

Part no.	Stock Code	Description	Qty
46	115/483-6-6112-301	Main Pivot Pin	1
47	115/521-2-0170-069	Return Spring	2
48	115/602-4-0032-023	Cotter Pin	1
49	115/605-3-0200-308	Lock Washer	2
50	115/483-3-3007-109	Nut	1
51	115/506-9-0330-011	Handle Grip	1
52	115/G11-6-2302-102	Handle Assy.	1
53	115/653-1-0060-018	Bolt	1
54	115/G11-3-2305-201	Handle	1
55	115/601-4-0050-028	Spring Pin	1
56	115/500-1-0920-306	Front Wheel	2
57	115/611-3-0183-203	Washer	2
58	115/607-5-0180-009	Retaining C-Ring	2
59	115/605-3-0080-102	Spring Washer	6
60	115/651-2-0080-034	Nut	6
63	115/677-5-0150-008	Retaining Ring "E"	2
64	115/605-3-0200-106	Spring Washer	2
65	115/G11-6-6109-108	Screw	1
66	115/G11-6-6110-103	Screw	1
67	115/G11-4-3200-107	Rear Caster Assy.	2
68	115/653-1-0120-083	Bolt	4
69	115/605-3-0120-025	Spring Washer	4
70	115/605-3-0100-203	Spring Washer	1
71	115/653-1-0100-014	Bolt	1
72	115/401-6-5005-206	Pin	1
73	115/401-6-2202-102	Connecting Bar	1
74	115/G11-6-2201-308	Handle Fork	1
75	115/532-2-0540-007	Return Spring	1
76	115/602-4-0025-026	Cotter Pin	1
77	115/603-3-0080-117	Washer	2
78	115/532-2-0240-308	Return Spring	1
79	115/661-2-0100-014	Nut	1
80	115/486-6-2203-103	Release Valve Gear	1
81	115/G11-6-2205-205	Pedal	1
* 115/G11-3-9901-101		Repair Kit	



**Sealey Quality Machinery**  
 Easlea Road, Moreton Hall Industrial Estate  
 Bury St. Edmunds, Suffolk IP32 7BY  
 Phone: (01284) 757500 Fax: (01284) 767626