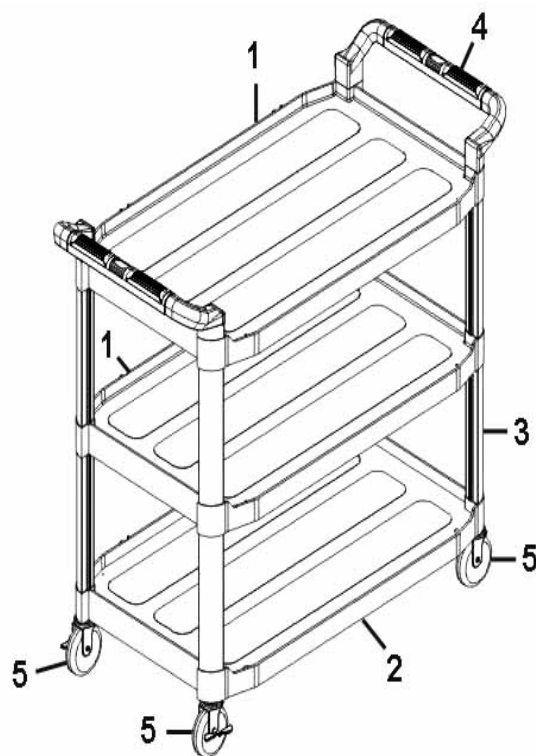
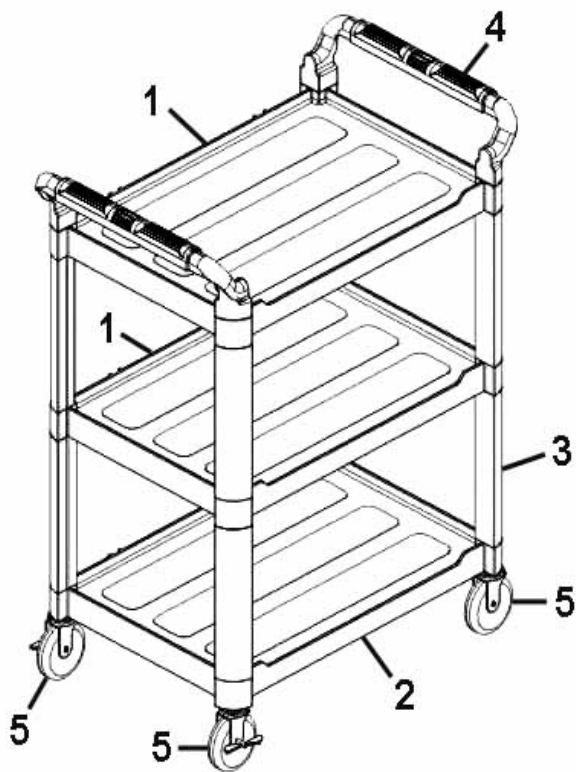


CX309

CX310



CX309 PARTS LIST

CX310 PARTS LIST

ITEM	PART NO	DESCRIPTION
1	CX309.01	TOP/MIDDLE SHELF
2	CX309.02	BASE SHELF
3	CX309.03	UPRIGHT
4	CX310.04	HANDLE
5	CX310.05	WHEEL SET
--	CX310.06	FIXING KIT (NOT SHOWN)

ITEM	PART NO	DESCRIPTION
1	CX310.01	TOP/MIDDLE SHELF
2	CX310.02	BASE SHELF
3	CX310.03	UPRIGHT
4	CX310.04	HANDLE
5	CX310.05	WHEEL SET
--	CX310.06	FIXING KIT (NOT SHOWN)

NOTE: It is our policy to continually improve products and as such we reserve the right to alter data, specifications and component parts without prior notice.

IMPORTANT: No liability is accepted for incorrect use of product.

WARRANTY: Guarantee is 12 months from purchase date, proof of which will be required for any claim.

INFORMATION: For a copy of our latest catalogue and promotions call us on 01284 757525 and leave your full name and address, including postcode.