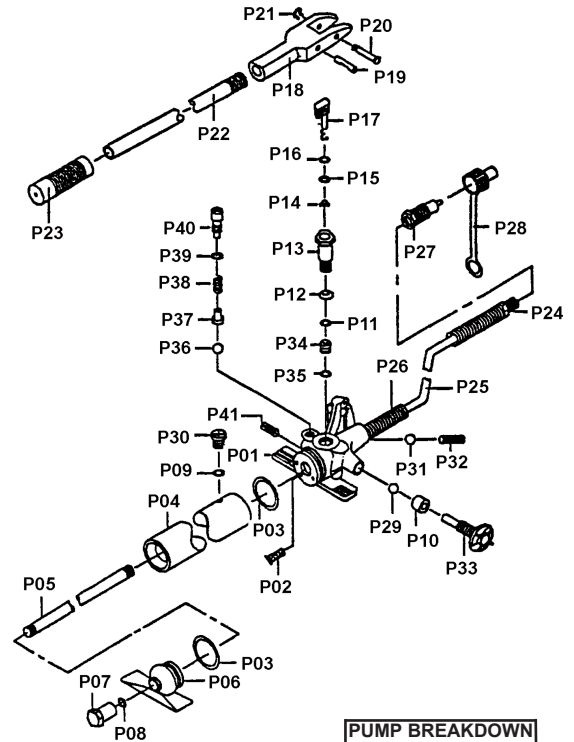
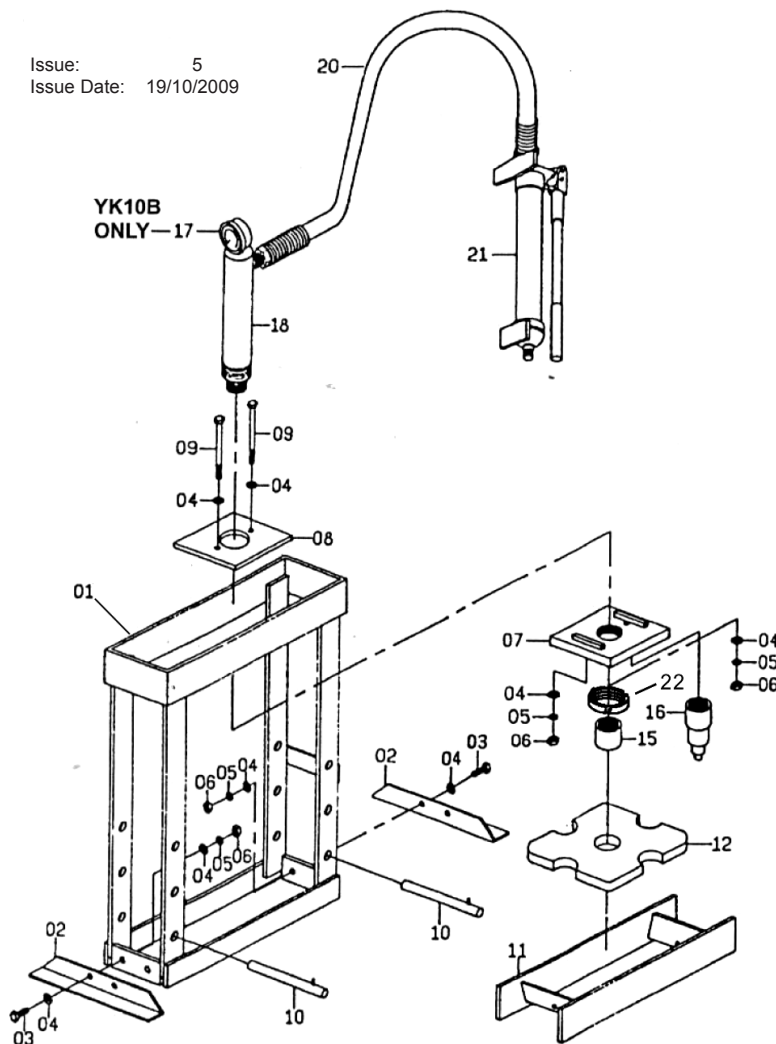


YK10B.V2 (WITH GAUGE)

YK10BLG (NO GAUGE)

YK10BMP (NO HYDRAULICS)

Issue: 5
Issue Date: 19/10/2009



PUMP BREAKDOWN

ITEM	PART NO	DESCRIPTION
1	YK10B.V2-01	FRAME (YK10B only)
	YK10BLG/01	FRAME (YK10BLG only)
2	YK10BLG/02	BASE SUPPORT
3	YK10BLG/03	BOLT, M12X30
4	YK10BLG/04	WASHER, FLAT
5	YK10BLG/05	WASHER, SPRING
6	YK10BLG/06	NUT, M10
7	YK10BLG/07	PLATE, RAM SUPPORT (LOWER)
8	YK10BLG/08	PLATE, RAM SUPPORT (UPPER)
9	YK10BLG/09	BOLT M10X120
10	YK10BLG/10	PIN, TABLE SUPPORT
11	YK10BLG/11	TABLE, BENCH SIDE SYSTEM
12	YK10BLG/12	PLATE, ARBOR
15	YK10BLG/15	ADAPTOR, STRAIGHT
16	YK10BLG/16	ADAPTOR, STEPPED
17	YK10B/G	10T GAUGE(BOTTOM FITTING)
18	YK10B.V2-RC	10T RAM WITHOUT GAUGE
20	610/41	RAM (YK10BLG ONLY)
	610/42	HOSE WITH COUPLING
21	610/40	PUMP COMPLETE WITHOUT HOSE
22	YK10B.22	RING NUT
	YK10B/RK	REPAIR KIT (not shown)
	YK10BLG.RK	REPAIR KIT (both models / not shown)
	YK10BLG/FK	FIXING KIT (both models / not shown)

ITEM	PART NO	DESCRIPTION
P01	610/PJ01	Pump Housing
P02	610/PJ02	Filter
P03	610/PJ03	Seal
P04	610/PJ04	Pump Reservoir
P05	610/PJ05	Screw
P06	610/PJ06	Pump Foot
P07	610/PJ07	Bolt
P08	610/PJ08	O-ring
P09	610/PJ09	O-ring Seal
P10	610/PJ10	Spacer
P11	610/PJ11	Seal
P12	610/PJ12	Washer
P13	610/PJ13	Cylinder
P14	610/PJ14	Filter Ring
P15	610/PJ15	Seal
P16	610/PJ16	Washer
P17	610/PJ17	Plunger
P18	610/PJ18	Pump Pivot Arm
P19	610/PJ29	Pivot Pin
P20	610/PJ20	Pivot Pin
P21	610/PJ21	Circlip
P22	610/PJ22	Pump Handle Assembly
P23	610/PJ23	Grip
P24	610/PJ24	Hydraulic Fitting
P25	610/PJ25	Hose
P26	610/PJ26	Spring
P27	610/PJ27	Coupling
P28	610/PJ28	Dust Cap
P29	610/PJ29	Ball Valve
P30	610/PJ30	Screw
P31	610/PJ31	Ball Valve
P32	610/PJ32	Spring
P33	610/PJ33	Release Valve Stem
P34	610/PPJ34	Valve
P35	610/PPJ35	Washer
P36	610/PJ36	Ball Valve
P37	610/PJ37	Stem
P38	610/PJ38	Spring
P39	610/PJ39	O-ring Seal
P40	610/PJ40	Screw
P41	610/PJ41	Screw (Safety Valve)

NOTE: It is our policy to continually improve products and as such we reserve the right to alter data, specifications and component parts without prior notice.

IMPORTANT: No liability is accepted for incorrect use of product.

WARRANTY: Guarantee is 12 months from purchase date, proof of which will be required for any claim.

INFORMATION: For a copy of our latest catalogue and promotions call us on 01284 757525 and leave your full name and address, including postcode.