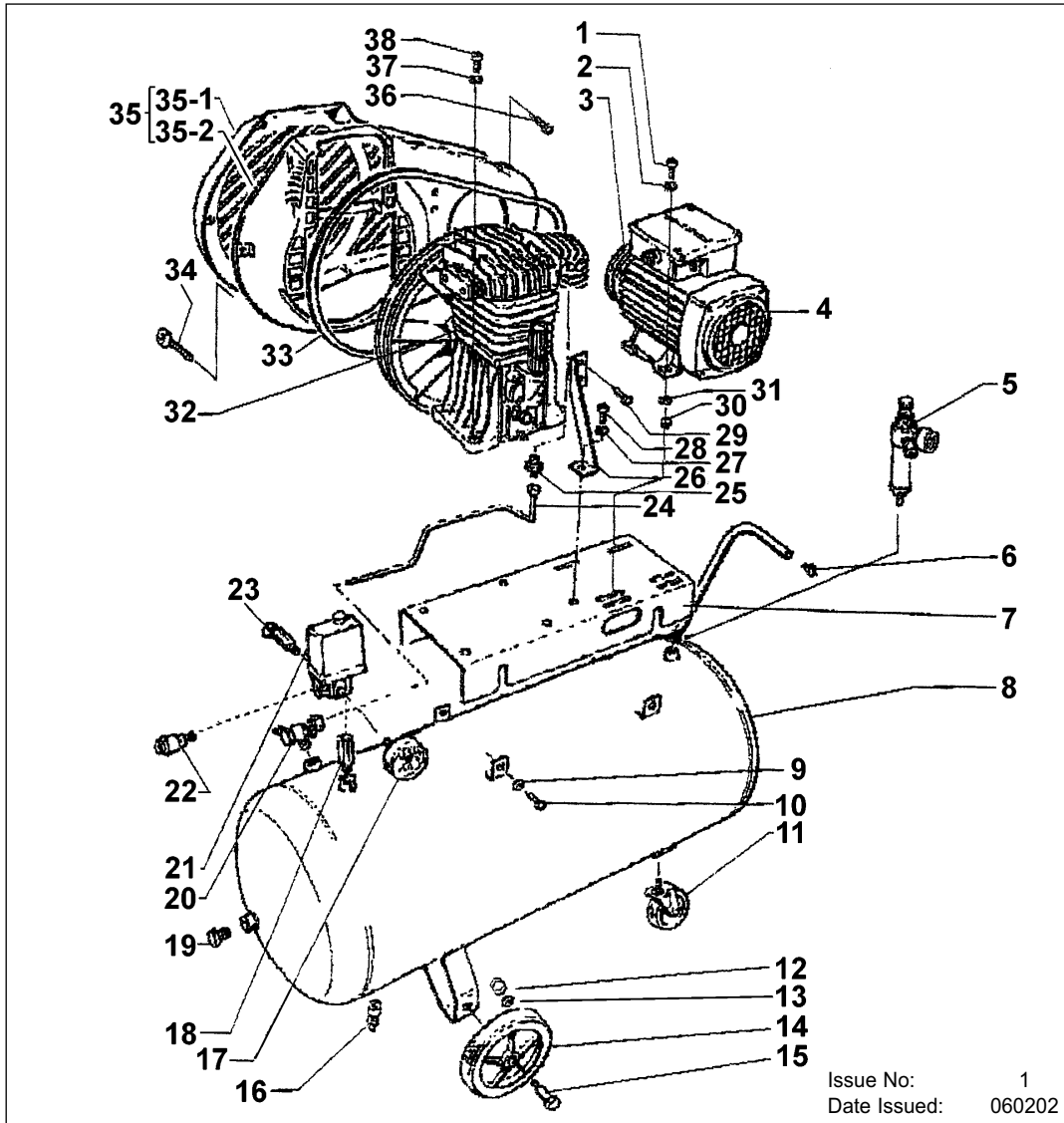


Issue No: 1
Date Issued: 060202

Item	Part No.	Description	Item	Part No.	Description	Item	Part No.	Description
1	SH37304240	Screw, M8 x 30	15	SH11903150	Tank, 50l	29	SH12800330	Pressure Switch
2	SH17500160	Washer, 8 x 24mm	16	SH17500100	Washer, 10.5 x 21mm	30	SH14400820	Safety Valve, 1/4"
3	SH13500920	Pulley, Motor, 180mm	17	SH37302430	Screw, M10 x 20	31	SH16903370	Screw, 3/8"
4	SH10701560	Motor, 3HP Soft Start	18	SH16500310	Sucker Foot	32	SH13000330	Regulator
5	SH17500160	Washer, 8 x 24mm	19	SH17400100	Nut, M12	33	SHK0900010	Pump, K9
6	SH17400080	Nut	20	SH17500110	Washer	34	SH13900340	V Belt
7	SH17300870	Screw, 4.2 x 19	21	SH13200040	Wheel, Ø150	35	SH17300900	Screw, 6 x 60
8	SH37306920	Screw, M6 x 16	22	SH13200160	Wheel Pin	36	SH13400170	Belt Guard
9	SH17500210	Washer	23	SH15300320	Drain Valve, 3/8"	36-1	SH13400171	Belt Guard, Front
10	SH14201450	Bracket, Belt Guard	24	SH15000060	Pressure Gauge	36-2	SH13400172	Belt Guard, Rear
11	SH16903380	Connection, 3/8"	25	SH16902500	Extension, 3/8"MF x 50	37	SH17300860	Screw, 4.2 x 32
12	SH14302490	Delivery Tube	26	SH16902170	Screw, 3/8"	38	SH17500090	Washer, 8.4 x 17
13	SH16500350	Handle Plug, D20	27	SH16901890	Plug, 1/2"	39	SH17300270	Screw, 8 x 40
14	SH14201460	Base Plate	28	SH14400680	Non-return Valve, 1/2"			



Issue No: 1
Date Issued: 060202

Item	Part No.	Description	Item	Part No.	Description	Item	Part No.	Description
1	SH37304240	Screw, M8 x 30	15	SH13200160	Wheel Pin	29	SH17300870	Screw, 4.2 x 19
2	SH17500160	Washer, 8 x 24mm	16	SH15300320	Drain Valve, 3/8"	30	SH17400080	Nut
3	SH13500920	Pulley, Motor, 180mm	17	SH15000060	Pressure Gauge	31	SH17500160	Washer, 8 x 24
4	SH10701560	Motor, 3HP Soft Start	18	SH16903540	Extension, 3/8"M/M x 50	32	SHK0900010	Pump, K9
5	SH13000350	Regulator	19	SH16901960	Plug, 2"	33	SH13900340	V Belt
6	SH16500350	Handle Plug, D20	20	SH14400680	Non-return Valve, 1/2"	34	SH17300900	Screw, 6 x 60
7	SH1420146D	Base Plate	21	SH12800330	Pressure Switch	35	SH13400170	Belt Guard
8	SH11903550	Tank, 100l	22	SH15300240	Ball valve, 1/4"	35-1	SH13400171	Belt Guard, Front
9	SH17500100	Washer, 10.5 x 21mm	23	SH14400820	Safety Valve, 1/4"	35-2	SH13400172	Belt Guard, Rear
10	SH37302430	Screw, M10 x 20	24	SH14302470	Delivery Tube	36	SH17300860	Screw, 4.2 x 32
11	SH13200130	Pivoting Wheel	25	SH16903380	Connection, 3/8"	37	SH17500090	Washer, 8.4 x 17
12	SH17400100	Nut, M12	26	SH14201450	Bracket, Belt Guard	38	SH17300270	Screw, 8 x 40
13	SH17500110	Washer	27	SH17500210	Washer			
14	SH13200060	Wheel, Ø175	28	SH37306920	Screw, M6 x 16			

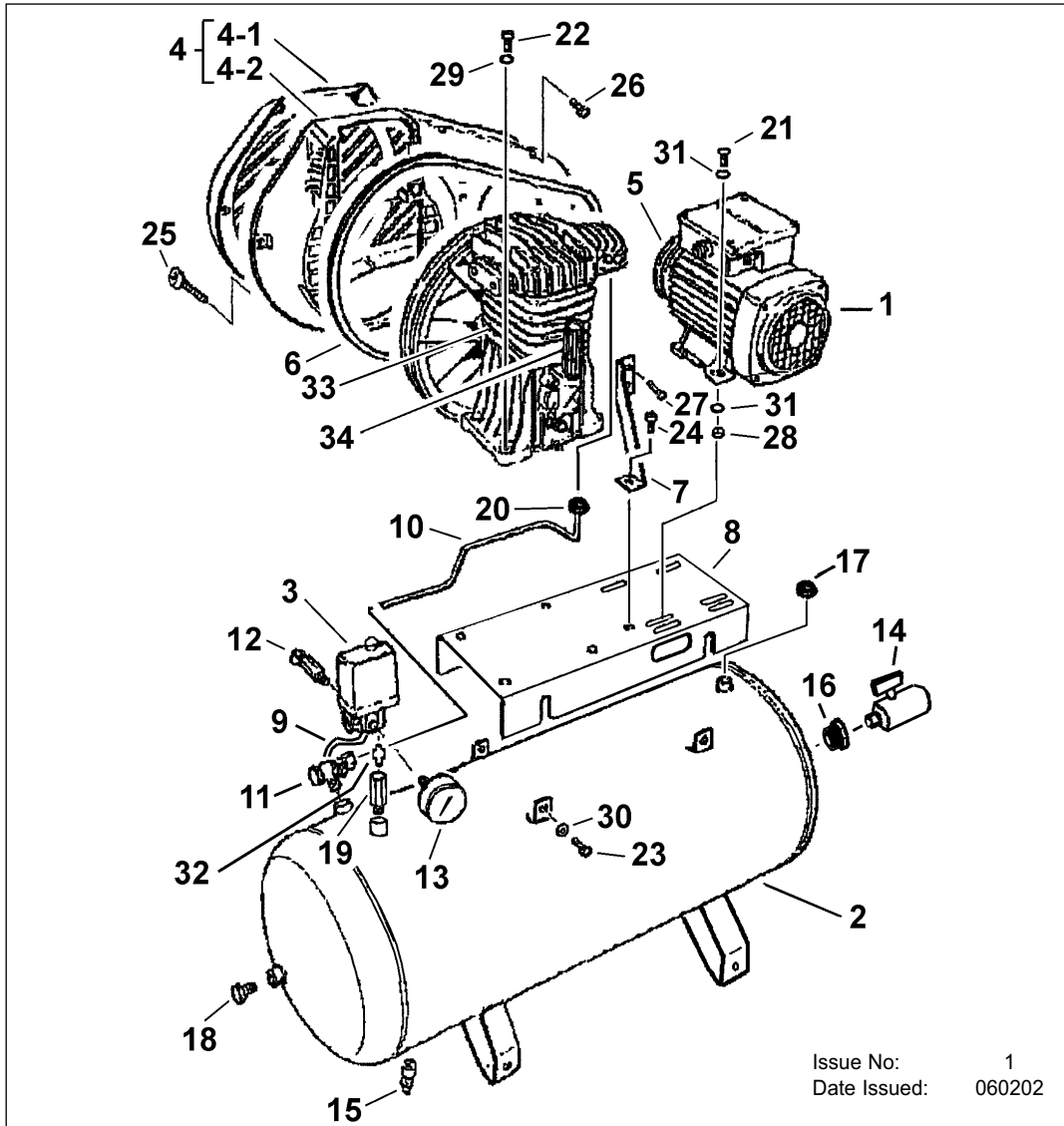


PARTS LIST FOR:

BELT DRIVEN COMPRESSORS

Models: **SA1015/3.V2, SA1020/3.V2**

3 of 4



Issue No: 1
Date Issued: 060202

Item	Part No.	Description	Item	Part No.	Description	Item	Part No.	Description
1	SH10701560	Motor, 3HP Soft Start	11	SH14400250	Non-Return Valve, 3/4" M D10	22	SH17300270	Screw, M8 x 40
2	SH11902990	Tank, 150l (SA1015/3)	12	SH14400820	Safety Valve, 1/4" (SA1015/3)	23	SH37302430	Screw, M10 x 20
-	SH11903000	Tank, 200l (SA1020/3)	-	SH14400870	Safety Valve, 3/8" (SA1020/3)	24	SH37306920	Screw, M6 x 16
3	SH12800330	Pressure Switch	13	SH15000060	Gauge, 1/4"NPT, 0 - 20 bar	25	SH17300900	Screw, D6 x 60
4	SH13400170	Belt Guard, Complete	14	SH15300260	Outlet Valve, 1/2"	26	SH17300860	Screw, D4.2 x 32
4-1	SH13400171	Belt Guard, Front	15	SH15300320	Drain Valve, Condensate	27	SH17300870	Screw, D4.2 x 19
4-2	SH13400172	Belt Guard, Rear	16	SH16901820	Reducer, 2" - 1/2"	28	SH17400080	Nut
5	SH13500920	Pulley, Motor, 180mm	17	SH16901890	Plug, 1/2"BSP	29	SH17500090	Washer
6	V/A51	V Belt	18	SH16901960	Plug, 2"BSP	30	SH17500100	Washer, 10.5 x 21mm
7	SH14201450	Bracket, Belt Guard	19	SH16903540	Extension, 3/8" M/M (SA1015/3)	31	SH17500160	Washer, 8 x 24mm
8	SH1420146D	Base Plate	-	SH16901440	'T' Connector, 3/8" M/M/F (SA1020/3)	32	SH16902170	3/8" Fitting (SA1020/3 only)
9	SH14300980	Air Pipe, Plastic (length)	20	SH16903380	Connection, 3/8" D10	33	SHK0900010	Pump, K9
10	SH14302730	Delivery Tube	21	SH37304240	Screw, M8 x 30	34	SH3650020A	Oil Plug

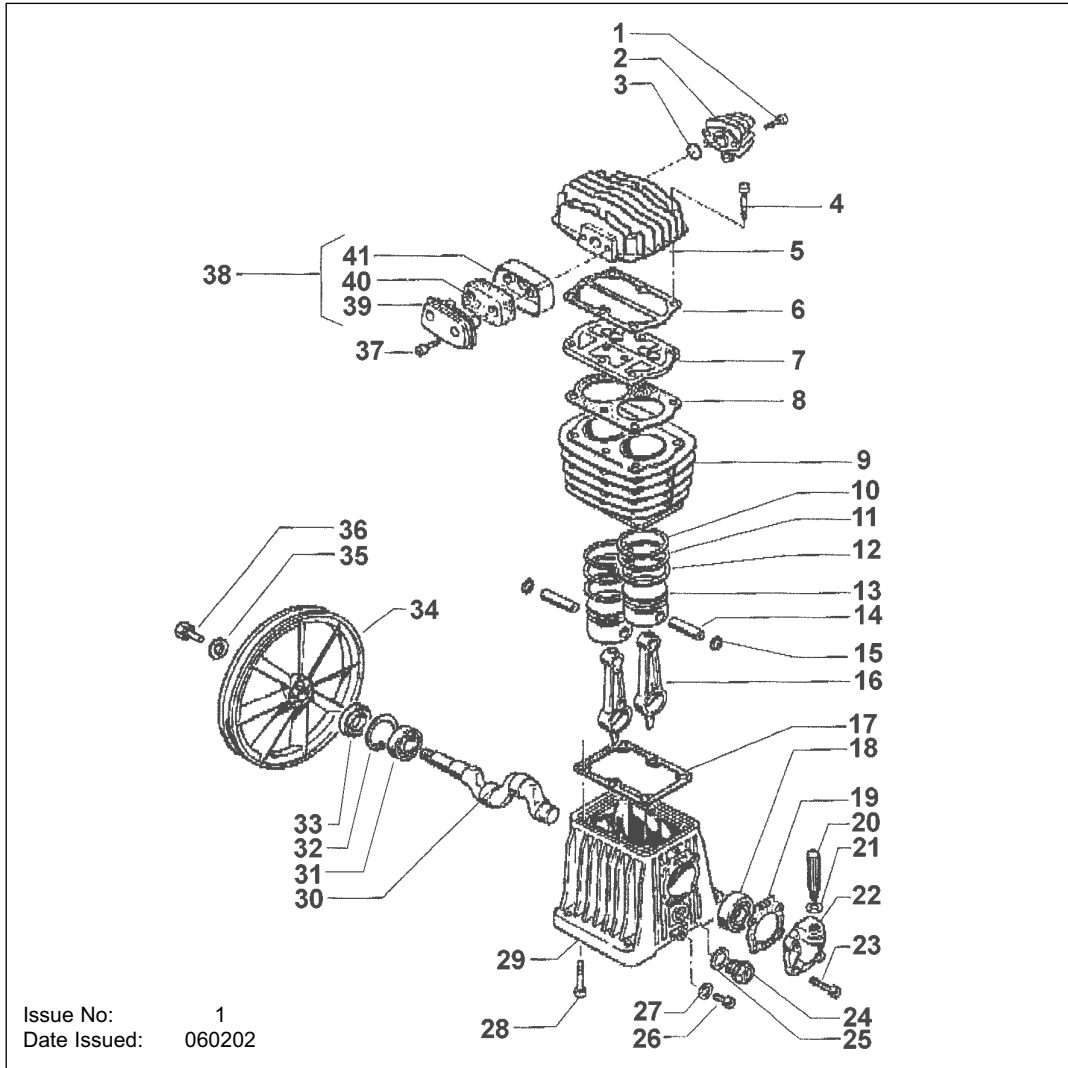


Sole UK Distributor,
Sealey Group,
Bury St. Edmunds, Suffolk.

01284 757500

01284 703534

E-mail: sales@sealey.co.uk



Issue No: 1
Date Issued: 060202

Item	Part No.	Description	Item	Part No.	Description
1	SH37307570	Screw	22	SH30406830	Support
2	SH32909080	Aftercooler	23	SH37306920	Screw
3	SH30502510	O-ring	24	SH36500140	Oil Sight Glass
4	SH37335580	Screw	25	SH30500130	Gasket
5	SH31309040	Cylinder Head	26	SH37303340	Drain Plug
6	SH30506900	Gasket	27	SH37508100	Washer
7	SH32706840	Valve Plate	28	SH37335560	Screw
8	SH30506890	Gasket	29	SH33100780	Crankcase
9	SH31600500	Cylinder	30	SH3020685A	Crankshaft
10	SH31203990	Compression Ring	31	SH30300030	Bearing
11	SH31203970	Stepped Scraper Ring	32	SH37607530	Circlip
12	SH31203950	Slotted Oil Scraper Ring	33	SH30307540	Oil Seal
13	SH31208800	Piston, 64mm dia.	34	SH31007280	Flywheel, 280mm dia.
14	SH31200700	Piston Pin	35	SH37508090	Washer
15	SH37600230	Circlip	36	SH37335610	Screw
16	SH31106860	Complete Connecting Rod	37	SH37305020	Screw
17	SH30506880	Gasket	38	SH15901120	Complete Filter
18	SH30300030	Bearing	39	SH35647510	Filter Cover
19	SH30506870	Gasket	40	SH15901090	Filter Cartridge
20	SH3650020A	Oil Plug	41	SH35647520	Filter Casing
21	SH3050016A	Gasket			