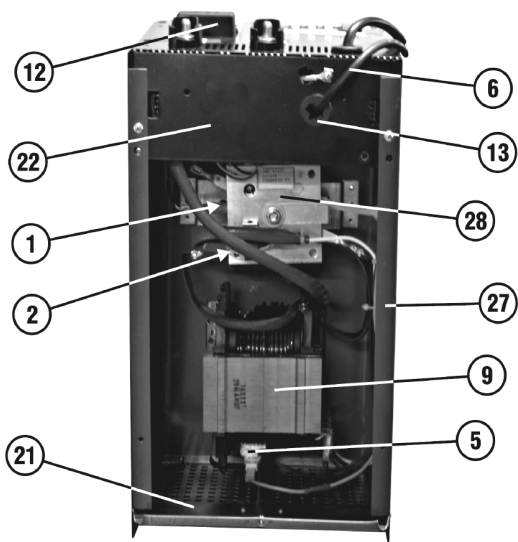


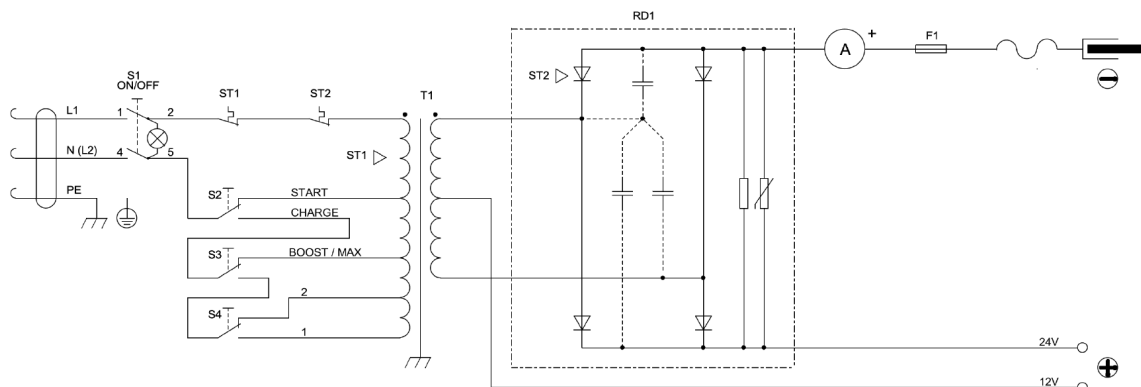
PARTS FOR: STARTER/CHARGER 250/40Amp 12/24V 230 Model: SUPERSTART310.V3



ITEM	PART NO	DESCRIPTION
1	120/112185	PROTECTION, RECTIFIER
2	120/122308	THERMOSTAT (BLACK)
3	120/122477	SWITCH (GREEN ROCKER)
4	120/122400	SWITCH, WHITE ROCKER
5	120.121069	THERMOSTAT
6	120.713118	EARTH CABLE
7	MC3CX1.5	MAINS CABLE BLK, 3 CORE, 1.5MM2
8	120.152020	AMMETER
9	120.169539	TRANSFORMER
10	120/312053	KNOB, TERMINAL
11	120.312408	HANDLE
12	120/322051	COVER, FUSE
13	120.322112	BUSHING
14	120/322193	WHEEL
15	120/322223	CAP, AXLE
16	120.322801	FRONT PANEL
17	120.322803	FOOT
18	120.322804	FRAME
19	120.362023	CLAMP HOLDER
20	120/422961	AXLE
21	120/644177	BOTTOM (SO)
22	120.980371	DASHBOARD KIT
23	120/712001	CLAMP, EARTH (BLACK)
24	120/712002	CLAMP, POSITIVE (RED)
25	120/802259	FUSE 50Amp SMALL Pack of 20
26	120.980036	FUSE HOLDER
27	120.980301	BACK PANEL
28	120.990685	RECTIFIER KIT
29	120/990162	TERMINAL COMPLETE
30	120/990163	INSULATING WASHERS
31	120.713117	POSITIVE CABLE
32	120/990072	TERMINAL COMPLETE, FUSE (NOT SHOWN)



Issue: 2
Date Issued: 30/01/2008



NOTE: It is our policy to continually improve products and as such we reserve the right to alter data, specifications and component parts without prior notice.

IMPORTANT: No liability is accepted for incorrect use of product.

WARRANTY: Guarantee is 12 months from purchase date, proof of which will be required for any claim.

INFORMATION: For a copy of our latest catalogue and promotions call us on 01284 757525 and leave your full name and address, including postcode.