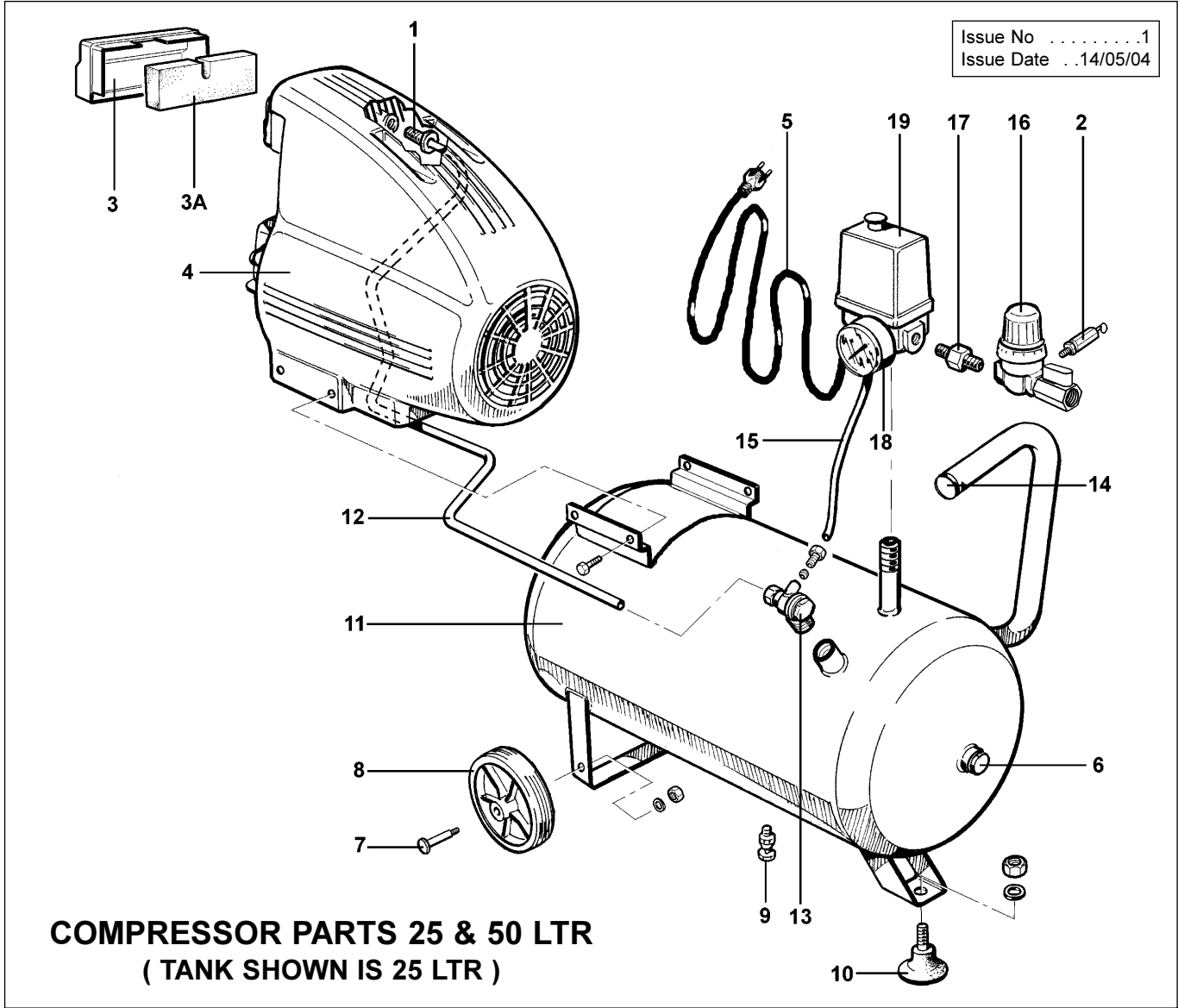


| | | | |
|---------|--------------------|----------------------|----------------------|
| MODELS: | SA9925/2.V4 | SA9925/2.5.V3 | SA9950/2.5.V3 |
|---------|--------------------|----------------------|----------------------|



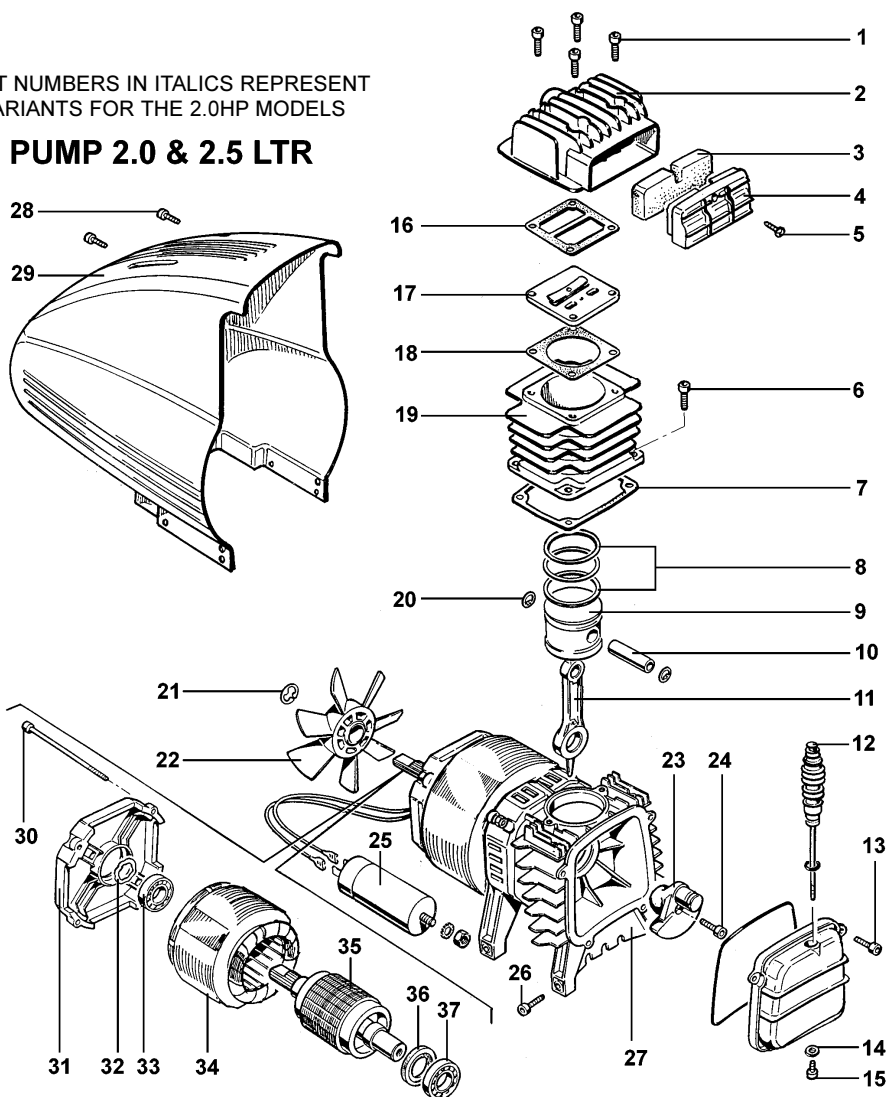
**COMPRESSOR PARTS 25 & 50 LTR
(TANK SHOWN IS 25 LTR)**

| ITEM | PART NO | DESCRIPTION | ITEM | PART NO | DESCRIPTION |
|------|--------------|--------------------------|------|------------|-------------------------------|
| 1 | SH16903380 | CONNECTION 3/8" D.8-10 | 11 | SH11903140 | TANK 25LTR |
| 2 | SH14401420 | SAFETY VALVE 1/2" | 11 | SH11903180 | TANK 50LTR |
| 3 | SH35601020 | AIR FILTER COVER | 12 | SH14304400 | INLET AIR PIPE (25LTR) |
| 3A | SH35601030 | AIR FILTER | 12 | SH14304510 | INLET AIR PIPE (50LTR) |
| 4 | SH10001500 | PUMP GROUP 2HP | 13 | SH14400920 | NON RETURN VALVE |
| 4 | SH10001510 | PUMP GROUP 2.5HP | 14 | SH16500350 | PLUG, HANDLE |
| 5 | CS 2.5M3CBLK | CORD SET 2.5M 3 CORE BLK | 15 | SH14300980 | AIR PIPE PLASTIC |
| 6 | SH16901890 | PLUG, TANK 1/2" BSP | 16 | SH13000340 | REGULATOR C/W TAP |
| 7 | SH13200160 | WHEEL BOLT | 17 | SA1/1414 | 1/4 BSPT MALE - 1/4 BSPT MALE |
| 8 | SH12507270 | WHEEL | 18 | SH15000050 | PRESSURE GAUGE |
| 9 | SH15300320 | DRAIN VALVE, CONDENSATE | 19 | SH12800330 | NEW TYPE PRESSURE SWITCH |
| 10 | SH16500310 | RUBBER FOOT D50 H50 M8 | | | |

| | | | |
|---------|--------------------|----------------------|----------------------|
| MODELS: | SA9925/2.V4 | SA9925/2.5.V3 | SA9950/2.5.V3 |
|---------|--------------------|----------------------|----------------------|

PART NUMBERS IN ITALICS REPRESENT VARIANTS FOR THE 2.0HP MODELS

PUMP 2.0 & 2.5 LTR



Issue No1
Issue Date ..14/05/04

| Item | Part No. | Description | Item | Part No. | Description |
|------|-------------------|-------------------------------|------|-------------------|--------------------------|
| 1 | SH17300580 | Head bolts | 19 | SH11600290 | Cylinder 2.0HP |
| 2 | SH31301000 | Head | 20 | SH17600040 | Circlip |
| 3 | SH35601030 | Air Filter | 21 | SH17600050 | Circlip |
| 4 | SH35601020 | Air Filter cover | 22 | SH11000020 | Fan |
| 5 | SH17300630 | Screw | 23 | SH1020013A | Crank |
| 6 | SH17300570 | Screw 6 x 18 | 24 | SH17300040 | Screw Left/HD |
| 7 | SH10500120 | Gasket cylinder base | 25 | SH19201220 | Condenser 31.5mf |
| 8 | SH12500660 | Kit piston rings 2.5HP | 26 | SH17300170 | Screw, pump cover |
| 8 | <i>SH32540100</i> | <i>Kit piston rings 2.0HP</i> | 27 | SH1310017A | Crank case |
| 9 | SH11200080 | Piston 2.5HP | 28 | SH17300170 | Self tap screw SW55x16 |
| 9 | <i>SH11200060</i> | <i>Piston 2.0HP</i> | 29 | SH13600160 | Pump cover 2.0 & 2.5HP |
| 10 | SH31206520 | Gudgeon pin 2.5HP | 30 | SH17300810 | Motor tension bolt, 2hp? |
| 10 | <i>SH11200070</i> | <i>Gudgeon pin 2.0HP</i> | 31 | SH1040005A | Rear casing |
| 11 | SH11100030 | Connecting rod | 32 | SH13300050 | Compensation ring |
| 12 | SH16500490 | Dipstick | 33 | B/6202 | Bearing, 6202 |
| 13 | SH17300170 | Secrew, pump cover | 34 | SH13300920 | Field coil 2.5HP |
| 14 | SH37508150 | Washer | 34 | <i>SH13300910</i> | <i>Field coil 2.0HP</i> |
| 15 | SH17300850 | Screw, M6x10 | 35 | SH13300940 | Armature 2.5HP |
| 16 | SH10500100 | Head gasket | 35 | <i>SH13300930</i> | <i>Armature 2.0HP</i> |
| 17 | SH12700200 | Valve plate | 36 | SH10300110 | Oil seal |
| 18 | SH10500170 | Gasket,cylinder valve | 37 | B/6204 | Bearing, 6204 |
| 19 | SH11600300 | Cylinder 2.5HP | | | |