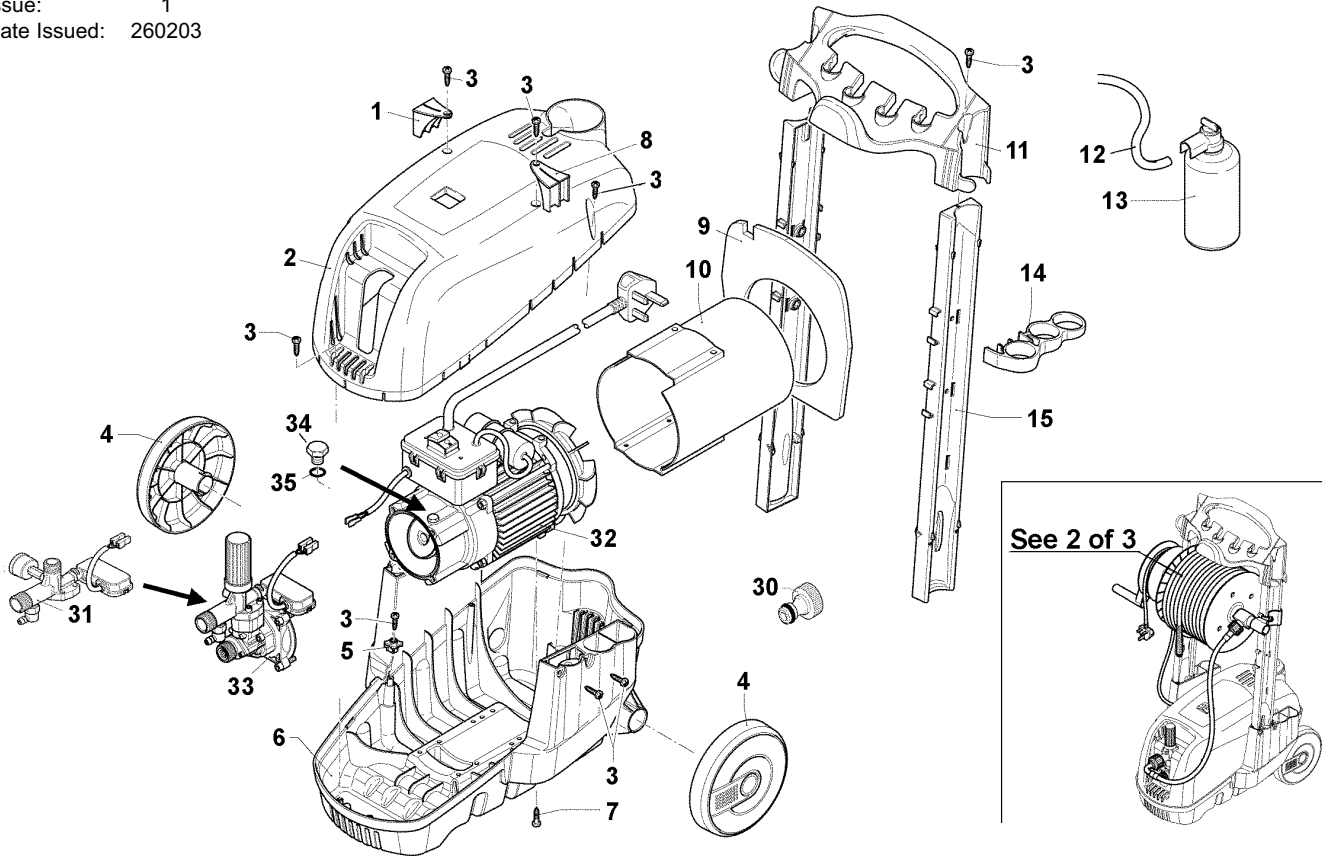
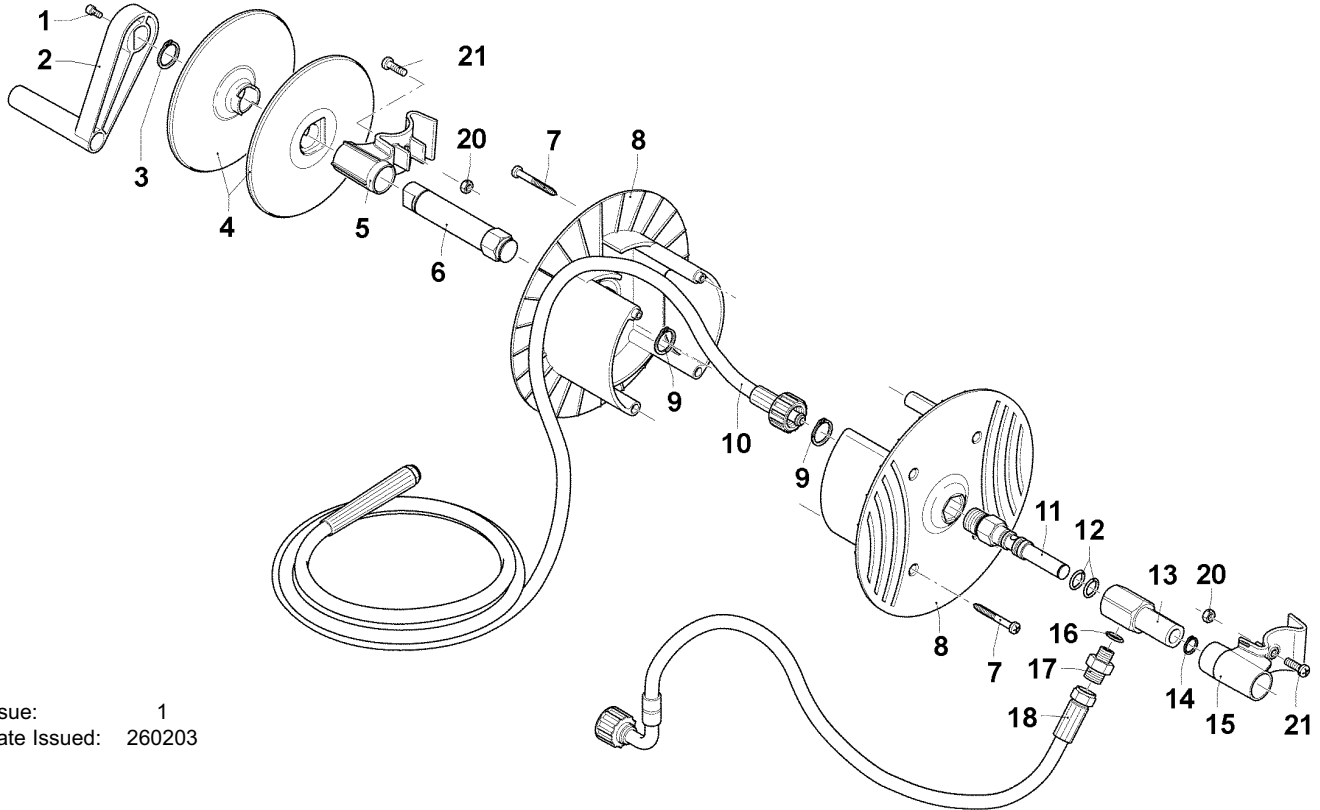


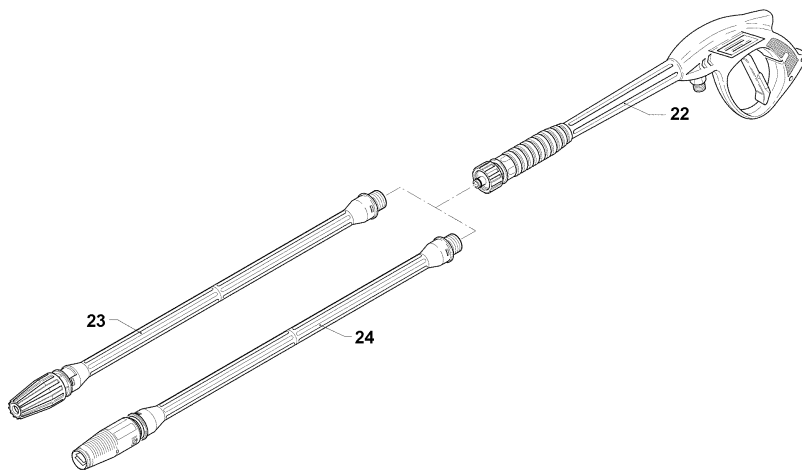
Issue: 1
 Date Issued: 260203



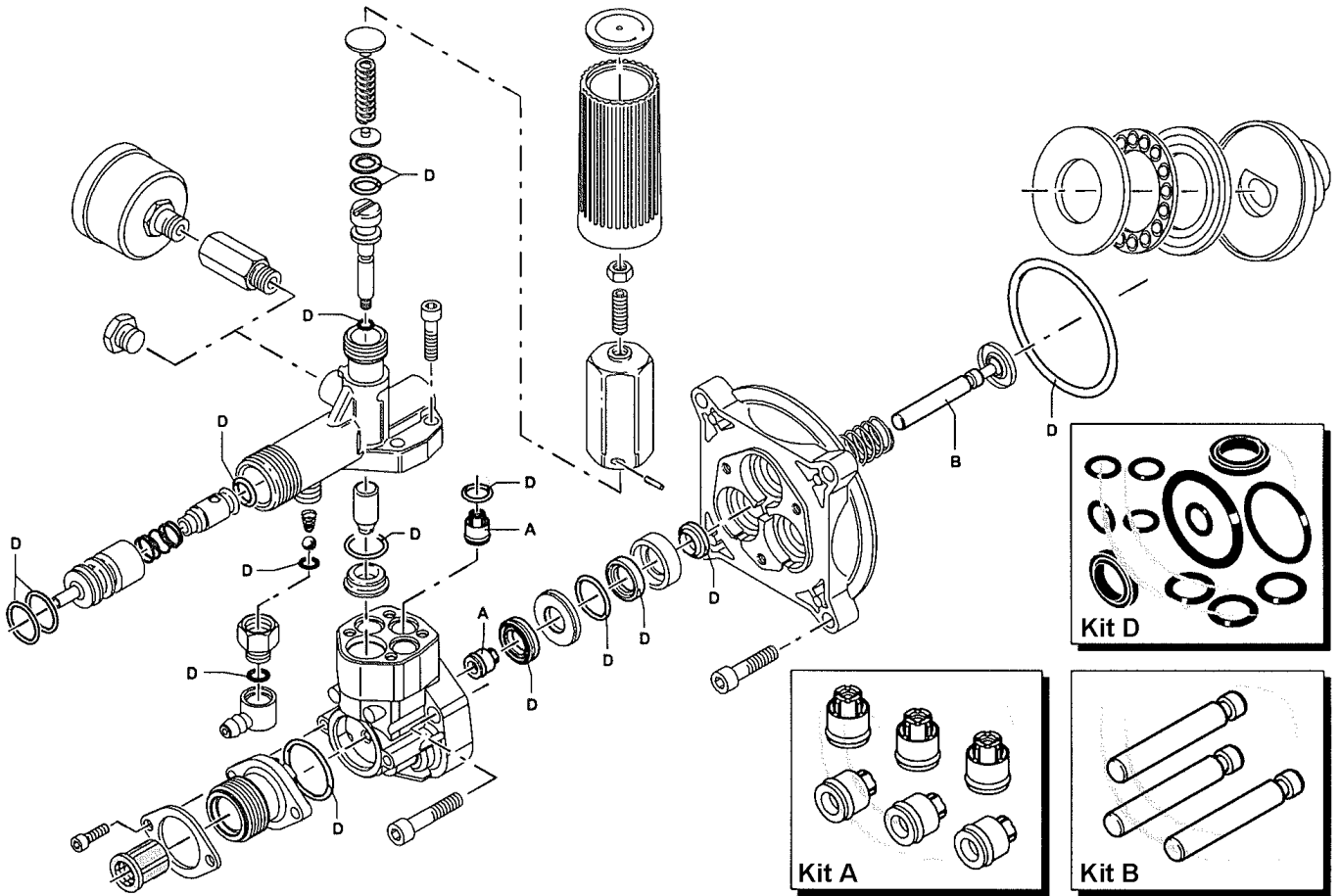
| Item | Part No. | Description | Item | Part No. | Description |
|------|-------------|-----------------|------|-------------|---------------------|
| 1 | 181.2600220 | Spacer Wedge Sx | 12 | 181.1270960 | Detergent Hose |
| 2 | 181.2600151 | Casing, Red | 13 | 181.40237 | Detergent Tank |
| 3 | 181/2100300 | Screw, M5x16 | 14 | 181.2600090 | Accessories Carrier |
| 4 | 181.2440072 | Wheel, 160mm | 15 | 181.2600030 | Stand |
| 5 | 181.2600100 | Gland | 30 | 181/1461470 | Hose Fitting, Inlet |
| 6 | 181.2600010 | Trolley Base | 31 | 181.2329255 | TSS Assembly |
| 7 | 181.2320190 | Screw, M5x15 | 32 | 181.4707 | Motor |
| 8 | 181.2600230 | Spacer Wedge Dx | 33 | 181.2329424 | TSS Pump Assembly |
| 9 | 181.2600200 | Air Separator | 34 | 181/1682420 | Plug |
| 10 | 181/1460340 | Conveyor | 35 | 181/2000240 | O-ring |
| 11 | 181.2600020 | Handle | | | |



Issue: 1
 Date Issued: 260203



| Item | Part No. | Description |
|------|-------------|--------------------------|
| 1 | 181.2360360 | Screw, M5x10 |
| 2 | 181.2360150 | Hose Reel Lever |
| 3 | 181.650500 | Circlip |
| 4 | 181.2360190 | Disc |
| 5 | 181.2600120 | Bracket Sx |
| 6 | 181.2360280 | Pin Sx |
| 7 | 181/1681280 | Screw, 4.2x50 |
| 8 | 181.2360230 | Hose Reel |
| 9 | 181.380420 | Circlip |
| 10 | 181.2600160 | High Pressure Hose, 10m |
| 11 | 181.2360210 | Pin Dx |
| 12 | 181/390080 | O-ring |
| 13 | 181.2360220 | Fitting |
| 14 | 181.2360320 | Circlip |
| 15 | 181.2600130 | Bracket Dx |
| 16 | 181/820510 | O-ring |
| 17 | 181.2360310 | Threaded Adaptor |
| 18 | 181.2600170 | Hose |
| 20 | 181/1060120 | Nut, M6 |
| 21 | 181.1681080 | Screw, M6x20 |
| 22 | 181.40171 | Gun |
| 23 | 181.40167 | Rotoblast Nozzle & Lance |
| 24 | 181.40206 | Nozzle, 1.04mm & Lance |



Issue: 1
 Date Issued: 260203

| Item | Part No. | Description |
|------|----------|-------------|
| A | 181.2577 | Valve Kit |
| B | 181/2734 | Piston Kit |
| D | 181.2791 | Seal Kit |