



ROTATING FLASHING WARNING BEACON WITH 12MM BOLT FIXING SMD LED 12V/24V

MODEL NO: **WB45LED, WB45LEDG**

Thank you for purchasing a Sealey product. Manufactured to a high standard, this product will, if used according to these instructions, and properly maintained, give you years of trouble free performance.

IMPORTANT: PLEASE READ THESE INSTRUCTIONS CAREFULLY. NOTE THE SAFE OPERATIONAL REQUIREMENTS, WARNINGS & CAUTIONS. USE THE PRODUCT CORRECTLY AND WITH CARE FOR THE PURPOSE FOR WHICH IT IS INTENDED. FAILURE TO DO SO MAY CAUSE DAMAGE AND/OR PERSONAL INJURY AND WILL INVALIDATE THE WARRANTY. KEEP THESE INSTRUCTIONS SAFE FOR FUTURE USE.



Refer to instructions

1. SAFETY

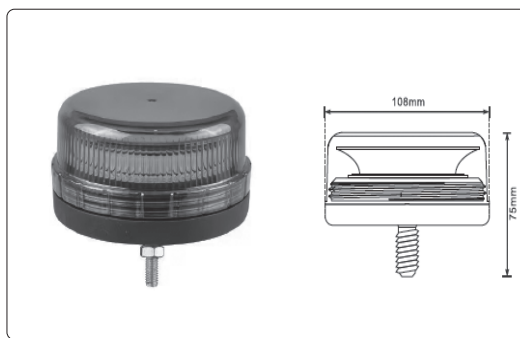
- ✓ Familiarise yourself with this product's application and limitations, as well as any specific potential hazards peculiar to the beacon.
- ✓ Replace or repair damaged parts. Use recommended parts only. Non authorised parts may be dangerous and will invalidate the warranty.
- ✗ **DO NOT** use the beacon for any purpose other than for which it is designed.
- ✗ **DO NOT** allow children to operate the beacon.
- ✗ **DO NOT** operate the beacon if any parts are missing or damaged as this may cause failure or possible personal injury.
- ✓ When not in use switch the beacon off and where appropriate remove plug from power supply.
- ✓ This beacon is intended to be used only in 12V or 24V DC systems.
- ✓ The beacons are meant to be used as a warning signal. Applications e.g. Trucks, excavators, agricultural machines and tractors etc.
- ✗ **DO NOT** look straight into the light. The bright light may cause a serious eye damage.
- ✓ Make sure that the beacon is properly installed before driving the vehicle.
- ✓ Follow the country-specific regulations when installing the warning lights on the roof of the vehicle.

2. INTRODUCTION

Fitted with 45 x 0.5W high power SMD LEDs which make the beacon highly visible. Beacon is IP65 rated, suitable for use in all weather conditions, in addition to its wide operating temperature range of -30°C to 50°C. 12mm Bolt fixing for easy installation on a wide range of vehicles. Light pattern can switch between Rotating, Single Flash and Double Flash. Certified to ECE R65 and ECE R10 regulations.

3. SPECIFICATION

Model No	WB45LED	WB45LEDG
Lens colour	Amber	Green
Nett Weight	0.25kg	
Voltage	12/24V	
IP Rating	IP65	
Functions		
1	Single Flashing (R65)	
2	Double flashing (R65)	
3	Rotating	



4. FIXING INSTRUCTIONS

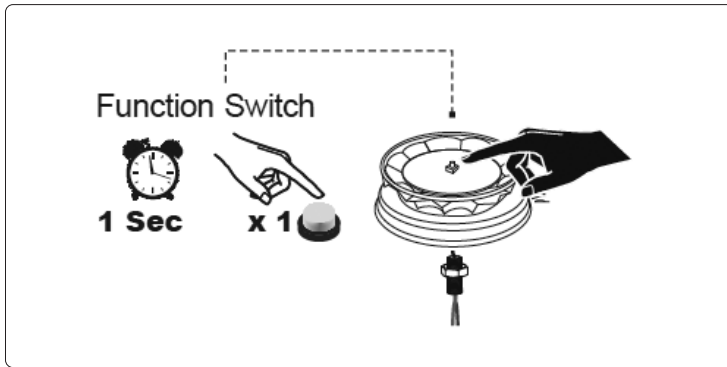
4.1. SINGLE BOLT FIXING

- 4.1.1. Drill a 12mm mounting hole in a suitable point on the vehicle.
- 4.1.2. Connect to cables of at least 2mm² section and use an 8A fuse; check polarities.
- 4.1.3. Fix the beacon by using nuts and washers according to the type and shape of the mounting surface

4.2. BOLT FIXING BASE

- 4.2.1. Drill mounting hole 12mm. Also make provision to route cables into the vehicle.
- 4.2.2. Connect to cables of at least 2mm² section and use an 8A fuse; check polarities.
- 4.2.3. Fix the beacon with 1x 19mm nut with spring washer and flat washer.

5. OPERATION



- ❑ **WARNING! DO NOT** look directly into the LED whilst in operation. As this can cause momentary blindness and/or eye damage. **DO NOT** touch light until it has cooled.

6. VOLTAGE SELECTION

- 6.1. The beacons will switch between 12V and 24V automatically.



ENVIRONMENT PROTECTION

Recycle unwanted materials instead of disposing of them as waste. All tools, accessories and packaging should be sorted, taken to a recycling centre and disposed of in a manner which is compatible with the environment. When the product becomes completely unserviceable and requires disposal, drain any fluids (if applicable) into approved containers and dispose of the product and fluids according to local regulations.



REGISTER YOUR PURCHASE HERE



WEEE REGULATIONS

Dispose of this product at the end of its working life in compliance with the EU Directive on Waste Electrical and Electronic Equipment (WEEE). When the product is no longer required, it must be disposed of in an environmentally protective way. Contact your local solid waste authority for recycling information.

Note: It is our policy to continually improve products and as such we reserve the right to alter data, specifications and component parts without prior notice.

Important: No Liability is accepted for incorrect use of this product.

Warranty: Guarantee is 12 months from purchase date, proof of which is required for any claim.

Sealey Group, Kempson Way, Suffolk Business Park, Bury St Edmunds, Suffolk. IP32 7AR



01284 757500



sales@sealey.co.uk



www.sealey.co.uk