



SV10.8 SERIES 100MM CORDLESS JOINT CLEANER 10.8V - BODY ONLY

MODEL NO: CP108VJCBO

Thank you for purchasing a Sealey product. Manufactured to a high standard, this product will, if used according to these instructions, and properly maintained, give you years of trouble free performance.

IMPORTANT: PLEASE READ THESE INSTRUCTIONS CAREFULLY. NOTE THE SAFE OPERATIONAL REQUIREMENTS, WARNINGS & CAUTIONS. USE THE PRODUCT CORRECTLY AND WITH CARE FOR THE PURPOSE FOR WHICH IT IS INTENDED. FAILURE TO DO SO MAY CAUSE DAMAGE AND/OR PERSONAL INJURY AND WILL INVALIDATE THE WARRANTY. KEEP THESE INSTRUCTIONS SAFE FOR FUTURE USE.



Refer to instruction manual



Wear protective gloves



Wear face shield



Wear ear protection



Wear protective clothing



Do not use in rain



Wear appropriate footwear



DANGER
be aware of thrown objects



Keep bystanders Away



Risk of electric shock

1. SAFETY

1.1. GENERAL POWERED TOOL SAFETY WARNINGS

Read all the safety warnings, instructions, illustrations, and specifications provided with this power tool. Failure to follow all instructions listed below may result in electric shock, fire and/or serious injury.

- ✓ Save all warning and instructions for future reference.
- ✓ Inspect and ensure equipment is in good working order before use.
- ✓ Maintain and clean tool and battery pack regularly. Check air holes are clear.
- ❑ **WARNING!** Keep all parts of the body away from the wire/ nylon brush. Do not remove cut material or hold material to be cut when brush is moving. Make sure the switch is **OFF** when clearing jammed material. A moment of inattention while operating the joint cleaner may result in serious personal injury.
- ❑ **WARNING!** Carry the joint cleaner by the handle with the cutter brush stopped. When transporting or storing the joint cleaner always fit the cutting device cover. Proper handling of the joint cleaner will reduce possible personal injury from the cutter brush.
- ❑ **WARNING!** Hold the power tool by insulated gripping surfaces only, as the cutter blade may contact hidden wiring. Cutter brush contacting a live wire may make exposed metal parts of the power tool live and could give the operator an electric shock.
- ❑ **WARNING!** Risk assess the work area. Keep bystanders and children away from the work area. **DO NOT** operate with anyone or pets nearby. Check intended work area for wildlife.
- ❑ **WARNING!** Prevent unintentional starting. Ensure the switch is in the **OFF** position before connecting to the battery pack, picking up or carrying the tool. Carrying power tools with your fingers on the switch or energising power tools that have the switch on invites accidents."
- ❑ **WARNING!** Avoid body contact with earthed or grounded surfaces, such as pipes, radiators, ranges, and refrigerators. There is an increased risk of electric shock if your body is earthed or grounded.
- ❑ **WARNING!** Keep work area clean and well lit. Cluttered or dark areas invite the risk of accidents.
- ❑ **WARNING!** Remove any adjusting key or wrench before turning the power tool on. A wrench or a key left attached to a rotating part of a power tool may result in personal injury.
- ❑ **WARNING! DO NOT** allow water to enter into power tool. This will increase the risk of an electric shock.
- ❑ **WARNING!** Never allow children, persons with reduced physical sensory or mental capabilities or lack of experience and knowledge or people unfamiliar with these instructions to use the machine, local regulations may restrict the age of the operator.
- ❑ **WARNING!** Under abusive conditions, liquid may be ejected from the battery; avoid contact. If contact accidentally occurs, flush with water. If liquid contacts eyes, additionally seek medical help. Liquid ejected from the battery may cause irritation or burns.
- ❑ **WARNING!** Always check the ground before cleaning for foreign objects, electrical cables etc.
- ❑ **WARNING!** Use of the power tool, accessories, and tool bits etc, in accordance with these instructions, taking into account the working conditions, and the work to be performed. Use of the power tool for operations different from those intended could result in a hazardous situation and serious injury.
- ✗ **DO NOT** use if power tool vibrates abnormally, switch off, remove battery and then inspect.
- ✗ **DO NOT** touch hazardous moving parts. Allow power tool to come to a complete stop first.
- ✗ **DO NOT** use if damaged. **DO NOT** operate with defective guards or shields or without safety devices, and protective clothing.
- ✗ **DO NOT** use for a task it was not designed to perform.
- ✓ Always store with the battery removed and separate from the power tool, in a dry, childproof location.
- ✗ **DO NOT** force the power tool. Use the correct power tool for your application. The correct power tool will do the job better and safer at the rate for which it was designed.
- ✓ Keep handles and grasping surfaces dry, clean and free from oil and grease. Slippery handles and grasping surfaces do not allow for safe handling and control of the tool in unexpected situation.
- ✗ Brushes should not be mounted on machines having a speed in excess of the maximum permissible brush speed. Damaged brushes should not be used. Rust discoloration or other signs of chemical or mechanical changes of the fill material may cause premature failure.
- ✓ Brushes should be stored in suitable racks, containers or boxes in such a manner that they are protected against the effects of: 1) high

humidity, heat, water or other liquids which might cause damage to the brush; 2) exposure to acids, or fumes from acids, which might induce deterioration; 3) any temperature low enough to cause condensation on the brush when removed from storage to an area of higher temperature; 4) distortion of any of the brush components.

✓ Joint cleaner is fitted with a hand shield.

1.2. WORK AREA SAFETY

✓ Keep work area clean and well lit. Cluttered or dark areas invite accidents.

✗ **DO NOT** operate power tools in explosive atmospheres, such as in the presence of flammable liquids, gases, or dust. Power tools create sparks which may ignite the dust or fumes.

✓ Keep children and bystanders away whilst operating a power tool. Distractions can cause you to lose control.

1.3. ELECTRICAL SAFETY

✓ Avoid body contact with earthed or grounded surfaces, such as pipes, radiators, ranges, and refrigerators. There is an increased risk of electric shock if your body is earthed or grounded.

✗ **DO NOT** expose power tools to rain or wet conditions. Water entering a power tool will increase the risk of electric shock.

☐ **WARNING!** Remove battery before attempting any cleaning, maintaining or storing the device.

✗ **DO NOT** use a battery pack or tool that is damaged or modified. Damaged or modified batteries may exhibit unpredictable behaviour resulting in fire, explosion or risk of injury.

✗ **DO NOT** expose a battery pack or tool to fire or excessive temperature. Exposure to fire or temperature above 130°C may cause explosion.

✓ Follow all charging instructions and do not charge the battery pack or tool outside the temperature range specified in the instructions. Charging improperly or at temperatures outside the specified range may damage the battery and increase the risk of fire.

1.4. PERSONAL SAFETY

✓ Stay alert, watch what you are doing and use common sense when operating a power tool.

✓ When using the tool, **DO NOT** wear cloth work gloves which may be entangled. The entanglement of cloth work gloves in the moving parts may result in personal injury. Work gloves of stout leather are part of the basic equipment of the joint cleaner and must always be worn when working with it.

✗ **DO NOT** use a power tool whilst you are tired or under the influence of drugs, alcohol, or medication. A moment inattention whilst operating power tools may result in serious injury.

✗ **DO NOT** let familiarity gained from frequent use of tools allow you to become complacent and ignore tool safety principles. A careless action can cause severe injury within a fraction of a second.

✓ Use personal protective equipment. Always wear eye protection. Protective equipment such as dust mask, non-skid safety shoes, hard hat and hearing protection. Use for appropriate conditions will reduce personal injuries.

✓ Prevent unintentional starting. Ensure the switch is in the off position before connecting to power source and/or battery pack, picking up or carrying the tool. Carrying power tools with your fingers on the switch or energising power tools that have the switch on invites accidents.

✓ Remove any adjusting key or wrench before turning the power tool on. A wrench or a key left attached to a rotating part of the power tool may result in personal injury.

✗ **DO NOT** over reach. Keep proper footing and balance at all times. This enables better control of the power tool in unexpected situations.

✓ Dress properly. **DO NOT** wear loose clothing or jewellery. Keep your hair, clothing and gloves away from moving parts. Loose clothes, jewellery or long hair can be caught in moving parts.

✓ **CAUTION:** Before installing the battery cartridge into the joint cleaner, always check to see that the switch trigger and lock-off lever actuates properly and returns to the **OFF** position when released. **NOTE: DO NOT** pull the switch trigger hard without pressing the lock-off lever. This can cause switch breakage.

✗ **DO NOT** use excessive force with contact to the ground. The joint cleaner may recoil and cause injury.

✓ Always use the side grip (auxiliary handle) and firmly hold the joint cleaner by both side grip and switch handle during operations.

1.5. POWER TOOL USE AND CARE

✗ **DO NOT** use the power tool if the switch does not turn it **ON** and **OFF**. Any power tool that cannot be controlled with the switch is dangerous and must be repaired. Contact place of purchase, or Sealey Service centre.

✓ Keep brushes clean. Properly maintained brushes are less likely to bind and are easier to control.

✓ The brush should be cleaned and lubricated at regular intervals in order to ensure best performance at all times. Remove deposits with a brush and apply a thin film of oil.

✓ Remove the battery pack from the power tool before making any adjustments, changing accessories, or storing power tools. Such preventive safety measures reduce the risk of starting the power tool accidentally.

✓ Store idle power tools out of the reach of children and do not allow persons unfamiliar with these power tools or these instructions to operate the power tool. Power tools are dangerous in the hands of untrained users.

✓ Check for misalignment or binding of the moving parts, breakage of parts and any other condition that may affect the power tool's operation. If damaged, have the power tool repaired before use. Many accidents are caused by poorly maintained power tools.

✓ Use the power tool, accessories, and tool bits etc, in accordance with these instructions, taking into account the working conditions and the work to be performed. Use of the power tool for operations different from those intended could result in a hazardous situation.

✓ Keep all parts of the body away from the brush. **DO NOT** remove cut material or hold material to be cut when blades are moving.

✓ Carry the joint cleaner by the handle with the brush stopped. When transporting or storing the joint cleaner always fit the cutting device cover. Proper handling of the joint cleaner will reduce possible personal injury from the brush.

✓ Hold the power tool by insulated gripping surfaces only, because the cutter blade may contact hidden wiring. Brush blades contacting a live wire may make exposed metal parts of the power tool live and could give the operator an electric shock.

1.6. SERVICE

✓ Have your power tool serviced by a qualified repair person using only identical replacement parts. This will ensure that the safety of the power tool is maintained.

✓ Check for misalignment or binding of the moving parts, breakage of parts and any other condition that may affect the power tool's operation. If damaged, have the power tool repaired before use. Many accidents are caused by poorly maintained power tools.

1.7. BATTERY TOOL USE AND CARE

- ✓ Recharge only with the charger specified by the manufacturer. A charger that is suitable for one type of battery pack may create a risk of fire when used with another battery pack.
- ✓ Use power tools only with specifically designated battery packs. Use of any other battery packs may create a risk of injury and fire.
- ✓ When battery pack is not in use, keep it away from other metal objects, like paper clips, coins, keys, nails, screws, or other small metal objects, that can make a connection from one terminal to another. Shorting the battery terminals together may cause burns or a fire.
- ✓ Under abusive conditions, liquid may be ejected from the battery; avoid contact. If contact accidentally occurs, flush with water. If liquid contacts eyes, additionally seek medical help.
- ❑ **WARNING!** If electrolyte gets into your eyes, rinse them out with clear water and seek medical attention straight away. It may result in loss of your eyesight. Liquid ejected from the battery may cause irritation or burns.
- ✗ **DO NOT** short the battery cartridge. Liquid ejected from the battery may cause irritation or burns.
- ✓ Battery powered - Operates using 1 x 10.8V battery from the Sealey CP Series (batteries must be of the same Ah rating).
- ❑ **WARNING!** Remove battery before: performing maintenance, carrying out adjustments, inspecting the machine after striking an object, before clearing a blockage, before leaving the tool unattended, before moving to the next job location.
- ✗ **DO NOT** dispose of the battery in a fire. The cell may explode. Check with local codes for possible special disposal instructions.
- ✗ **DO NOT** open or mutilate the battery. Released electrolyte is corrosive and may cause damage to the eyes or skin. It may be toxic if swallowed.
- ✗ **DO NOT** use a damaged battery.
- ✗ **DO NOT** expose battery cartridge to water or rain.
- ✗ **DO NOT** store the joint cleaner and battery cartridge in locations where the temperature may reach or exceed 50 °C (122 °F).
- ✗ **DO NOT** incinerate the battery cartridge even if it is severely damaged or is completely worn out. The battery cartridge can explode in a fire.
- ✗ **DO NOT** charge battery in rain, or in wet locations.
- ✓ Be careful not to drop or strike battery.
- ✓ Use the batteries only with the products specified by Sealey. Installing the batteries to non-compliant products may result in a fire, excessive heat, explosion, or leak of electrolyte.
- ✓ Charge the battery cartridge before completely discharged. Always stop tool operation and charge the battery cartridge when you notice less tool power.
- ✓ Never recharge a fully charged battery cartridge. Overcharging shortens the battery service life.
- ✓ Charge the battery cartridge with room temperature at 5 °C - 45 °C. Let a hot battery cartridge cool down before charging it.

1.8. INSTALLING OR REMOVING BATTERY CARTRIDGE

CAUTION: Always switch off the joint cleaner before installing or removing of the battery cartridge.

CAUTION: Hold the joint cleaner and the battery cartridge firmly when installing or removing battery cartridge. Failure to hold the joint cleaner and the battery cartridge firmly may cause them to slip, resulting in damage to the joint cleaner and battery cartridge and a personal injury.

- ✓ To fit battery: push in until a click is heard. Release by holding side buttons in.
- ✓ **IMPORTANT:** Always install the battery cartridge fully. If not, it may accidentally fall out of the tool, causing injury to you or someone around you.
- ✓ **IMPORTANT:** DO NOT install the battery cartridge forcibly. If the cartridge does not slide in easily, it is not being inserted correctly.

1.9. INDICATING THE REMAINING BATTERY CAPACITY

- ✓ Press the check button on the battery cartridge to indicate the remaining battery capacity. The indicator lamps light off immediately when release the check button. **Note:** Depending on the conditions of use and the ambient temperature, the indication may differ slightly from the actual capacity.

1.10. JOINT CLEANER / BATTERY PROTECTION SYSTEM

- ✓ The joint cleaner is equipped with a tool/battery protection system. This system automatically cuts off power to the motor to extend battery life. The joint cleaner will automatically stop during operation if the joint cleaner battery is placed under one of the following conditions:

1.10.1. OVERLOAD PROTECTION

- ✓ When the battery is operated in a manner that causes it to draw an abnormally high current, the joint cleaner automatically stops. In this situation, turn the joint cleaner off and stop the application that caused the joint cleaner to become overloaded. Then turn the joint cleaner on to restart.

1.10.2. OVERHEAT PROTECTION

- ✓ When the battery is overheated, the joint cleaner stops automatically. In this case, let the joint cleaner and battery cool before turning the joint cleaner on again.

1.10.3. OVERDISCHARGE PROTECTION

- ✓ When the battery capacity is not enough, the joint cleaner stops automatically. In this case, remove the battery from the joint cleaner and charge the battery.

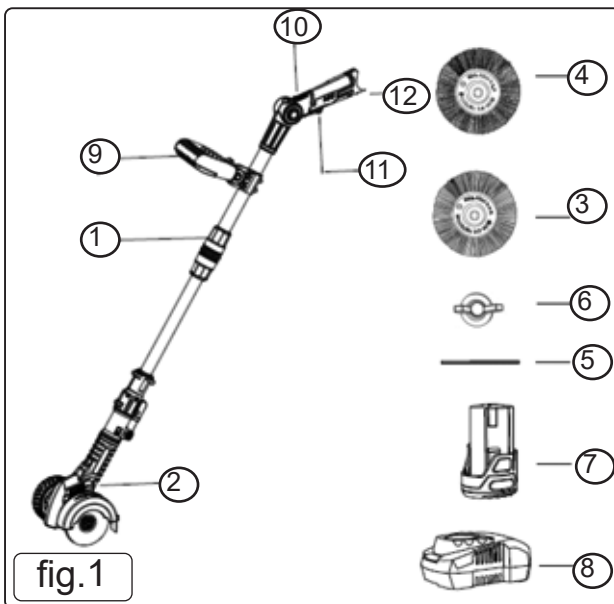
2. INTRODUCTION

Lightweight, cordless joint cleaner makes gardening easy, clean and effective. Ideal for removing weeds and moss from between patio's and block paving. Telescopic handle to allow for height adjustments and maintain comfort whilst working.

3. SPECIFICATION

Model No	CP108VJCBO		
Battery	10.8V 2Ah - 4Ah Lithium-ion (not included)	K uncertainty	3 dB/ 1.5 m/s ²
Brush Diameter	100mm	Sound pressure level, LpA	74.14 dB
Brush width	7.5mm	Sound power level, LWA	82.14 dB
Nett Weight	1.5kg	Vibration front handle	0.470 m/s ²
No-Load Speed	1200rpm	Vibration rear handle	0.423 m/s ²

4. CONTENTS



1	Main handle	7	Battery Pack (not included)
2	Weed sweeper head	8	Charger (not included)
3	Wire brush	9	Auxiliary handle
4	Nylon brush	10	Push Button
5	Pin	11	Trigger
6	Butterfly nut	12	Battery compartment

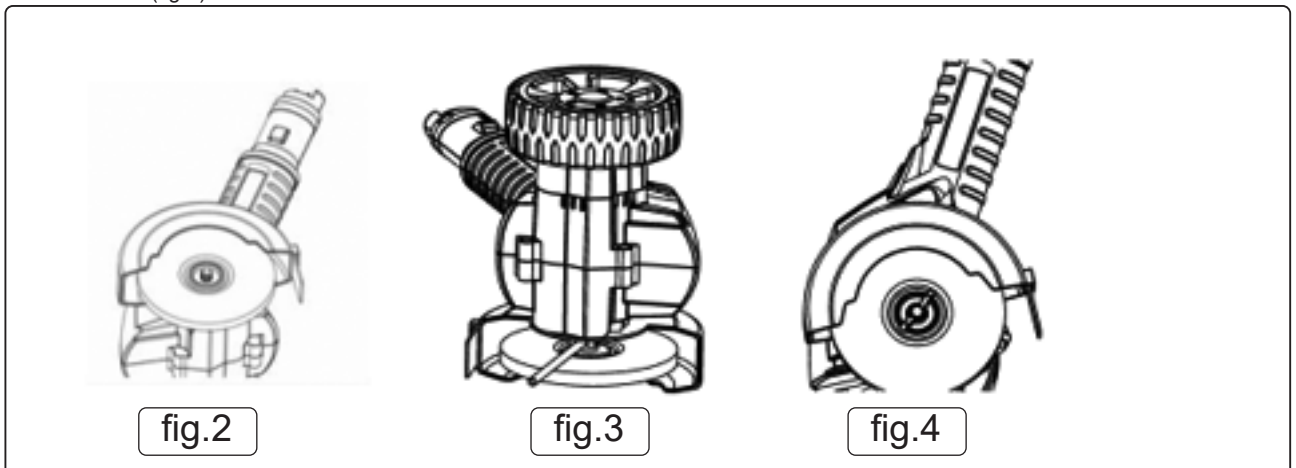
Accessories	
CP108VBP	10.8V 2Ah SV10.8 Series Lithium-ion Power Tool Battery
CP108VMC	10.8V SV10.8 Series Fast Charge Lithium-ion Battery Charger

fig.1

NOTE: Read the owner's manual and safety instructions carefully before operating the cordless joint cleaner. Compare the illustration below to the cordless joint cleaner in order to familiarise yourself with the location of the various controls and adjustments. Save this manual for future reference.

5. ASSEMBLY

- 5.1. **WARNING!** Remove battery before assembly.
- 5.2. Fit the brush onto the drive axle. Make sure that the brush fits accurately into the mount (fig.2).
- 5.3. The shaft must be fixed in order to fasten the brush. To do so, insert the pin (fig.3) into the recess on the shaft and hold with one hand. Secure the nut (fig.4).



IMPORTANT: Be sure to remove the pin again from the shaft. To dismantle the equipment for changing the brush, proceed in reverse order.

5.4. CONNECTING THE WEED SWEEPER HEAD WITH THE SHAFT (fig.5)

Lifting the lever of the telescopic shaft, connect the head with the shaft. Then press the lever (fig. 5).

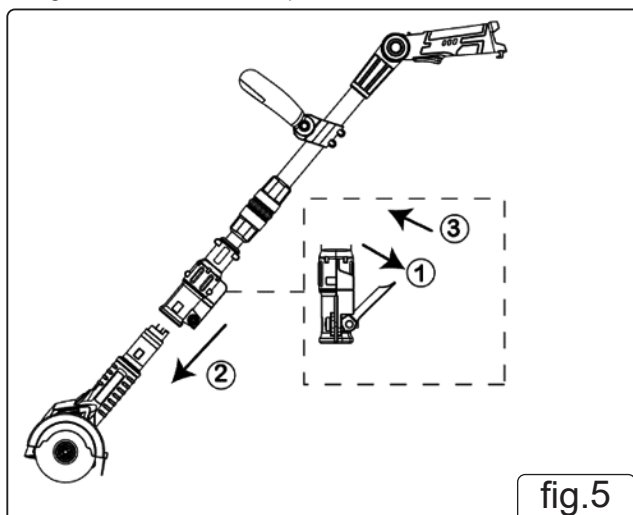


fig.5

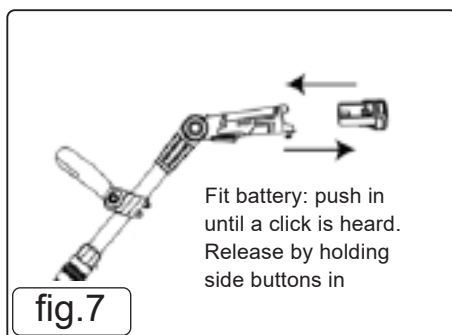
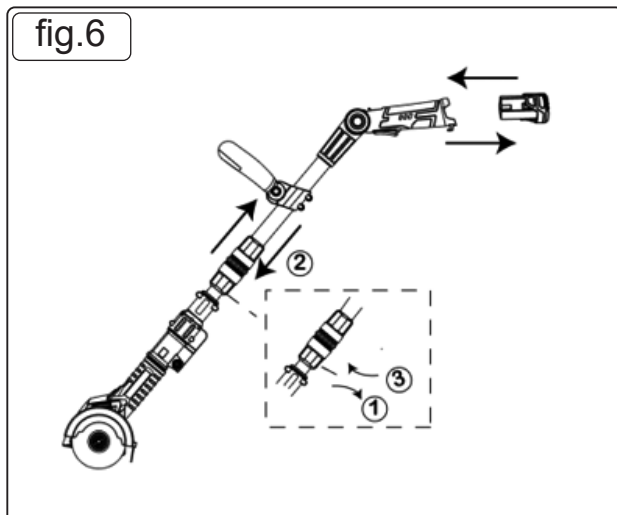
5.5. ADJUST THE LENGTH OF THE SHAFT (fig.6).

5.5.1. Loosen the lower half of the knob located in the middle of aluminium shaft by turning it anti-clockwise.

5.5.2. Pull the lower shaft up or down to adjust the desired height.

5.5.3. Tighten the knob by turning counter clockwise.

5.6. CONNECTING THE BATTERY PACK TO THE MACHINE SEE fig.7.



6. OPERATION

6.1. SWITCHING ON/OFF

6.1.1. The joint cleaner is equipped with a two-handed safety switch. The joint cleaner works only when the switch trigger 'A' and lock **ON/OFF** button B see fig. 8. IF A is pressed along with one hand on the switch with trigger B on the handle the unit will start to operate. If switch B is released, the brush will stop moving. **Please beware of the brush as it slows down to a standstill.**

6.2. SWIVEL HANDLE

6.2.1. The joint cleaner is fitted with a rear swivelling handle grip. The handle grip can be swivelled 45° or 90° to either left or right of the vertical. To do so, hold lock-off lever 'C' down then rotate handle to specific adjustment. See (fig.8).

6.2.2. To return the handle grip to its original position push down lock-off lever 'C' and rotate handle back to the vertical position. See (fig.8).

❑ **WARNING: NEVER** tape down or defeat purpose and function of lock-off lever.

CAUTION: Before installing the battery cartridge into the joint cleaner, always check to see that the switch trigger and lock-off lever actuates properly and returns to the **OFF** position when released. **NOTE: DO NOT** pull the switch trigger hard without pressing the lock-off lever. This can cause switch breakage.

❑ **WARNING!** Keep hands away from brush.



7. MAINTENANCE

7.1. AFTER USE

- 7.1.1. Switch the product off, remove the battery, and let it cool completely.

7.2. CLEANING

- ❑ **WARNING!:** Always be sure that the tool is switched off and the battery cartridge is removed before attempting to perform inspection or maintenance.
- ✓ Keep all safety devices, air vents and the motor housing free of dirt and dust as far as possible. Wipe the equipment with a clean cloth or blow it with compressed air at low pressure.
- ✓ Clean the equipment immediately each time you have finished using it.
- ✓ Ensure that no water can seep into the device. The ingress of water into an electric tool increases the risk of an electric shock.
- ✓ Remove deposits from the guard hood with a brush.

7.3. CHECK, CLEAN, AND STORE THE PRODUCT AS DESCRIBED BELOW.

- ✓ There are no parts inside the equipment which require additional maintenance.
- ✓ Store the joint cleaner with blade guard fitted.
- ✓ Maintain power tools. Check for misalignment or binding of the moving parts, breakage of parts and any other condition that may affect the power tool's operation. If damaged, have the power tool repaired before use. Many accidents are caused by poorly maintained power tools.
- ✓ Have your power tools serviced by a qualified repair person using only identical replacement parts. This will ensure that the safety of the power tool is maintained.
- ✓ Never disassemble the joint cleaner yourself. For servicing and repair always contact your local Sealey Service Centre. Or place of purchase.

7.4. STORAGE

- ✓ The hook groove on the joint cleaner base is convenient for hanging from a nail or screw on the wall. Attach the blade cover to the shear blades so that the blades are not exposed. Store the joint cleaner out of the reach of children. Store the joint cleaner in a place not exposed to moisture or rain.

7.5. BATTERY PACK OPERATION

The equipment is powered by a lithium-ion battery. The battery pack is completely sealed and maintenance free.

7.6. TRANSPORT

- 7.6.1. Tool must be protected from damage during transit.

- ✗ **DO NOT** transport with battery inserted.

7.7. END OF LIFE

- 7.7.1. Remove battery.
- 7.7.2. Dismantle tool by reversing assembly section above.
- 7.7.3. Dispose of according to local regulations in force

WARNING! – Risk of Hand Arm Vibration Injury.

This tool may cause Hand Arm Vibration Syndrome if its use is not managed adequately.
This tool is subject to the vibration testing section of the Machinery Directive 2006/42/EC.
This tool is to be operated in accordance with these instructions.

Measured vibration emission value (a): 0.470m/s² Front handle / Rear handle 0.423m/s²
Uncertainty value (k): 1.5m/s²

Please note that the application of the tool to a sole specialist task may produce a different average vibration emission. We recommend that a specific evaluation of the vibration emission is conducted prior to commencing with a specialist task.

A health and safety assessment by the user (or employer) will need to be carried out to determine the suitable duration of use for each tool.

NB: Stated Vibration Emission values are type-test values and are intended to be typical.

Whilst in use, the actual value will vary considerably from and depend on many factors.

Such factors include; the operator, the task or consumable.

The state of maintenance of the tool itself is also an important factor, a poorly maintained tool will also increase the risk of Hand Arm Vibration Syndrome.

Health surveillance.

We recommend a programme of health surveillance to detect early symptoms of vibration injury so that management procedures can be modified accordingly.

The declared vibration total value(s) and the declared noise emission value(s) have been measured in accordance with a standard test method and may be used for comparing one tool with another.

The declared vibration total values and the declared noise emission values may also be used in a preliminary assessment of exposure.

The vibration and noise emissions during actual use of the power tool can differ from the declared values depending on the ways in which the tool is used, especially what kind of workpiece is processed.

The need to identify safety measures to protect the operator that are based on an estimation of exposure in the actual condition of use.

Personal protective equipment.

We are not aware of any personal protective equipment (PPE) that provides protection against vibration injury that may result from the uncontrolled use of this tool. We recommend a sufficient supply of clothing (including gloves) to enable the operator to remain warm and dry and maintain good blood circulation in fingers etc. Please note that the most effective protection is prevention, please refer to the Correct Use and Maintenance section in these instructions. Guidance relating to the management of hand arm vibration can be found on the HSE website

www.hse.gov.uk - Hand-Arm Vibration at Work.



BATTERY REMOVAL

Remove the battery. Dispose of according to local government guidelines.

Under the Waste Batteries and Accumulators Regulations 2009, Jack Sealey Ltd are required to inform potential purchasers of products containing batteries (as defined within these regulations), that they are registered with Valpak's registered compliance scheme. Jack Sealey Ltd's Batteries Producer Registration Number (BPRN) is BPRN00705.



WEEE REGULATIONS

Dispose of this product at the end of its working life in compliance with the EU Directive on Waste Electrical and Electronic Equipment (WEEE). When the product is no longer required, it must be disposed of in an environmentally protective way. Contact your local solid waste authority for recycling information.



ENVIRONMENT PROTECTION

Recycle unwanted materials instead of disposing of them as waste. All tools, accessories and packaging should be sorted, taken to a recycling centre and disposed of in a manner which is compatible with the environment. When the product becomes completely unserviceable and requires disposal, drain any fluids (if applicable) into approved containers and dispose of the product and fluids according to local regulations.



REGISTER YOUR PURCHASE HERE

Note: It is our policy to continually improve products and as such we reserve the right to alter data, specifications and component parts without prior notice.

Important: No Liability is accepted for incorrect use of this product.

Warranty: Guarantee is 12 months from purchase date, proof of which is required for any claim.

Sealey Group, Kempson Way, Suffolk Business Park, Bury St Edmunds, Suffolk. IP32 7AR



01284 757500



sales@sealey.co.uk



www.sealey.co.uk