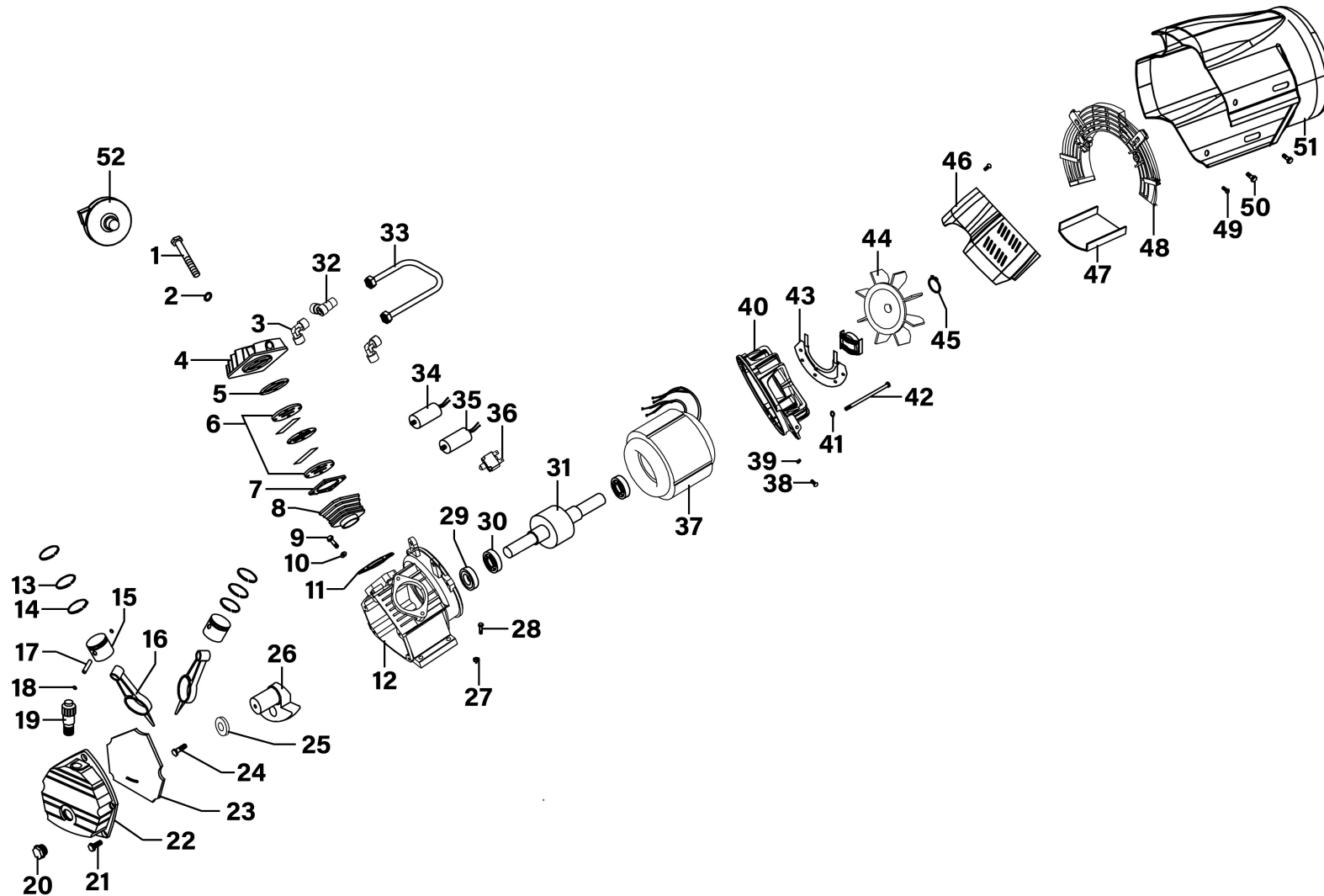




Parts Information:
Air Compressor 100L V-Twin Direct Drive 2hp
Model No: SAC10030VA



NOTE: It is our policy to continually improve products and as such we reserve the right to alter data, specifications and component parts without prior notice.

There may be alternative versions of this product, please contact us should you require this information.

IMPORTANT: No liability is accepted for incorrect use of product. Spare parts must be fitted by a competent person

WARRANTY: Guarantee is 12 months from purchase date, proof of which will be required for any claim.

Sealey Group, Kempson Way, Suffolk Business Park, Bury St Edmunds, Suffolk. IP32 7AR



01284 757500



sales@sealey.co.uk



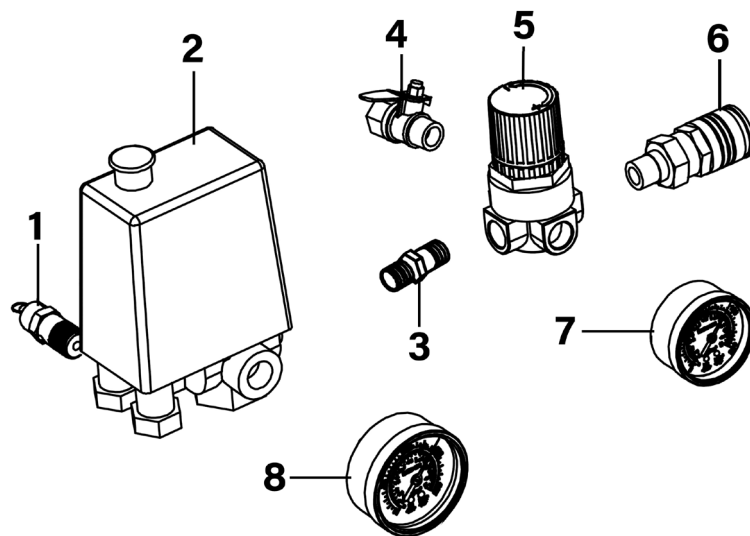
www.sealey.co.uk



Parts Information:
**Air Compressor 100L V-Twin Direct Drive
 2hp
 Model No: SAC10030VA**

Item	Part No.	Description	Qty
1	HHB650.S	Hex Head Bolt M6 x 50mm	8
2	FWM6.S	Flat Washer M6 Zinc	8
3	SAC10030VA-P03	Exhaust Elbow	2
4	SAC10030VA-P04	Cylinder Head	2
5	SAC10030VA-P05	Cylinder Head Gasket	2
6	SAC10030VA-P06	Valve Assembly	2
7	SAC10030VA-P07	Cylinder Gasket	2
8	SAC10030VA-P08	Cylinder	2
9	SAC10030VA-P09	Hex Head Screw	4
10	SWM8.S	Spring Washer M8 Zinc	4
11	SAC10030VA-P11	Crankcase Gasket	2
12	SAC10030VA-P12	Crank Case	1
13	SAC10030VA-P13	Piston Ring	4
14	SAC10030VA-P14	Piston/Oil Ring	2
15	SAC10030VA-P15	Piston	2
16	SAC10030VA-P16	Connecting Rod	2
17	SAC10030VA-P17	Piston Pin	2
18	SAC5020A-V2-P17	Piston Pin Clip Ø12	4
19	SAC10030VA-P19	Air Breather	1
20	SAC10030VA-P20	Oil Sight Glass	1
21	SAC10030VA-P21	Crankcase Cover Bolt	5
22	SAC10030VA-P22	Crankcase Cover	1
23	SAC10030VA-P23	Crankcase Cover Gasket	1
24	SAC10030VA-P24	Hex Head Bolt M8 x 22	1
25	FWM8.S	Flat Washer M8 Zinc	1
26	SAC10030VA-P26	Crank Shaft	1
27	FN8.S	Flange Nut Serrated M8 Zinc	4
28	SS825.S	Hex Head Set Screw M8 X 25 Zinc	4

Item	Part No.	Description	Qty
29	SAC10030VA-P29	Crankcase Oil Seal	1
30	B/6205	Bearing 6205	2
31	SAC10030VA-P31	Rotor	1
32	SAC10030VA-P32	Exhaust Elbow	1
33	SAC10030VA-P33	Exhaust Pipe	1
34	SAC10030VA-P34	Start Capacitor	1
35	SAC10030VA-P35	Run Capacitor	1
36	SAC10030VA-P36	Protector Thermal Switch	1
37	SAC10030VA-P37	Stator	1
38	MSP46.S	Machine Screw Pan Head Phillips M4 X 6mm	1
39	SAC10030VA-P39	Gear Ring	1
40	SAC10030VA-P40	Rear Support	1
41	SWM5.S	Spring Washer M5 Zinc	4
42	SAC5020A-V2-P33	Hex Screw M5x80	4
43	SAC10030VA-P43	Centrifugal Switch	1
44	SAC10030VA-P44	Fan	1
45	SAC5020A-V2-P38	Fan Ring Ø14	1
46	SAC10030VA-P46	Cover for Cylinder Head	1
47	SAC10030VA-P47	Bottom Cover for Housing	1
48	SAC10030VA-P48	Plastic Support	1
49	SAC5020A-V2-P40	Casing Screw ST3x12	5
50	SS512.S	Hex Head Set Screw M5 X 12 Zinc	4
51	SAC10030VA-P51	Plastic Pump Cover	1
52	SAC10030VA-P52	Air Filter	2



NOTE: It is our policy to continually improve products and as such we reserve the right to alter data, specifications and component parts without prior notice. There may be alternative versions of this product, please contact us should you require this information.

IMPORTANT: No liability is accepted for incorrect use of product. Spare parts must be fitted by a competent person

WARRANTY: Guarantee is 12 months from purchase date, proof of which will be required for any claim.

Sealey Group, Kempson Way, Suffolk Business Park, Bury St Edmunds, Suffolk. IP32 7AR



01284 757500



sales@sealey.co.uk



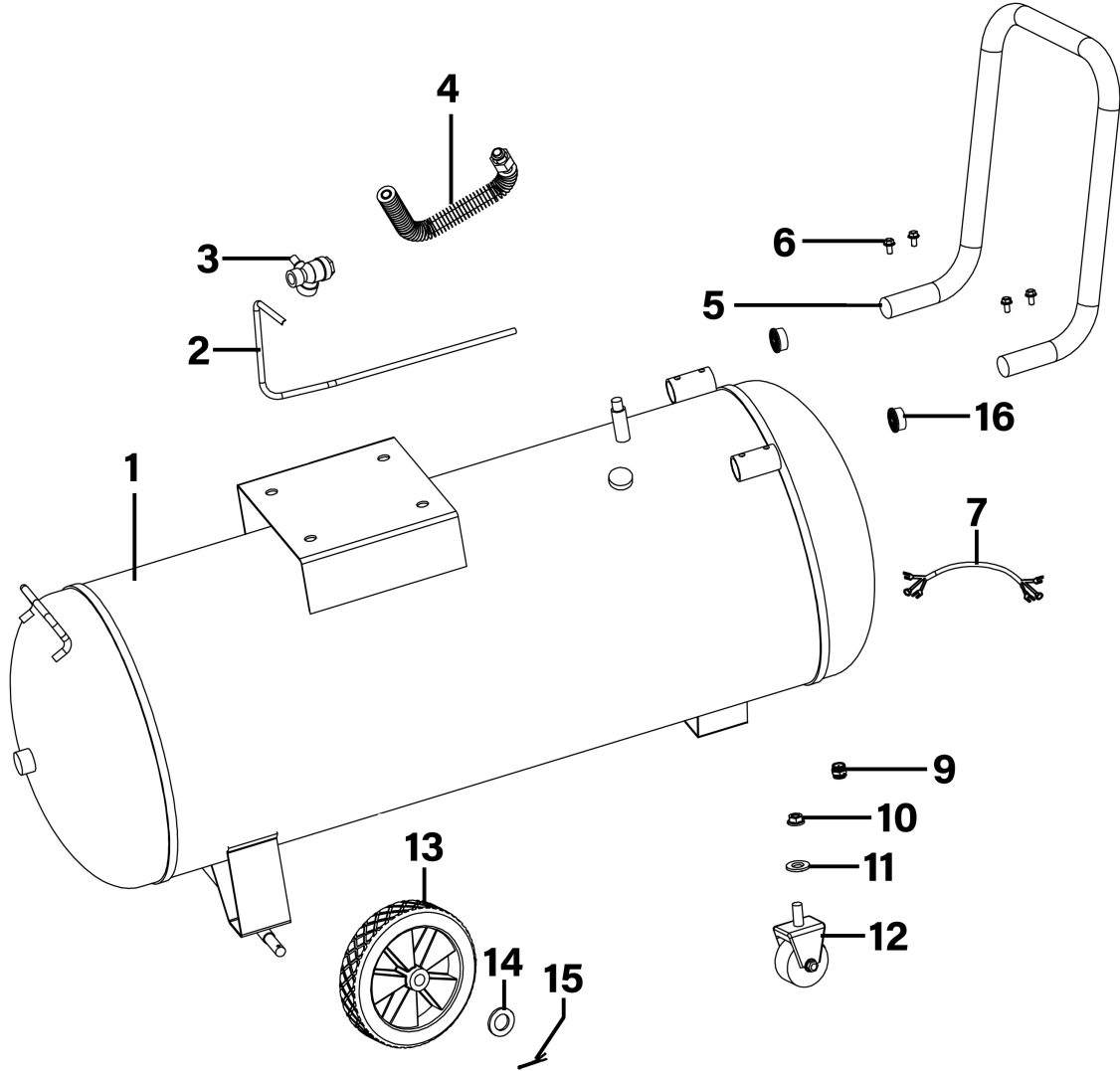
www.sealey.co.uk



Parts Information:
**Air Compressor 100L V-Twin Direct Drive
 2hp
 Model No: SAC10030VA**

Item	Part No.	Description	Qty
1	SAC10030VA-SA01	Safety Valve 1/4"	1
2	SAC10030VA-SA02	Pressure Switch	1
3	SAC10030VA-SA03	Union Connector	1
4	SAC10030VA-SA04	Ball Valve 1/4"	1

Item	Part No.	Description	Qty
5	SAC10030VA-SA05	Pressure Regulator	1
6	SAC10030VA-SA06	Quick Coupling	1
7	SAC10030VA-SA07	Pressure Gauge d.40	1
8	SAC10030VA-SA08	Pressure Gauge d.50	1



Item	Part No.	Description	Qty
1	SAC10030VA-01	Tank 100ltr	1
2	SAC10030VA-02	Unloading Pipe	1
3	SAC10030VA-03	Check Valve	1
4	SAC10030VA-04	Exhaust Pipe	1
5	SAC10030VA-05	Tank Handle	1
6	SAC10030VA-06	Tank Handle Screw M6	4
7	SAC10030VA-07	Connecting Wire	1
9	SAC10030VA-09	Drain Valve	1

Item	Part No.	Description	Qty
10	FN10.S	Flange Nut Serrated M10 Zinc	1
11	FWM10.S	Flat Washer M10 Zinc	1
12	SAC10030VA-12	Front Swivel Wheel	2
13	SAC10030VA-13	Fixed Wheel	2
14	FWM16.S	Flat Washer M16 Zinc	2
15	SAC10030VA-15	Split Pin	2
16	SAC10030VA-16	Rubber Block	2

NOTE: It is our policy to continually improve products and as such we reserve the right to alter data, specifications and component parts without prior notice. There may be alternative versions of this product, please contact us should you require this information.

IMPORTANT: No liability is accepted for incorrect use of product. Spare parts must be fitted by a competent person

WARRANTY: Guarantee is 12 months from purchase date, proof of which will be required for any claim.

Sealey Group, Kempson Way, Suffolk Business Park, Bury St Edmunds, Suffolk. IP32 7AR



01284 757500



sales@sealey.co.uk



www.sealey.co.uk