



ADJUSTABLE BENCH GRINDER FLOOR STAND

MODEL NO: **BGST1**

Thank you for purchasing a Sealey product. Manufactured to a high standard, this product will, if used according to these instructions, and properly maintained, give you years of trouble free performance.



IMPORTANT: PLEASE READ THESE INSTRUCTIONS CAREFULLY. NOTE THE SAFE OPERATIONAL REQUIREMENTS, WARNINGS & CAUTIONS. USE THE PRODUCT CORRECTLY AND WITH CARE FOR THE PURPOSE FOR WHICH IT IS INTENDED. FAILURE TO DO SO MAY CAUSE DAMAGE AND/OR PERSONAL INJURY AND WILL INVALIDATE THE WARRANTY. KEEP THESE INSTRUCTIONS SAFE FOR FUTURE USE.

1. SAFETY

- ✓ Only use on firm, level, unobstructed surfaces which are capable of supporting the bench grinder floor stand and bench grinder.
- ✓ Ensure bench grinder floor stand is fixed to surface capable of supporting stand, bench grinder and work piece.
- ✓ Always use bench grinder floor stand in a well lit clean and dry place.
- ✓ Make sure surface is firm under foot. preferably concrete.
- ✓ Enlist help to place and remove the bench grinder from its working position.
- ✓ Replace or repair damaged parts. Use only recommended parts. Unauthorised parts may be dangerous and will invalidate the warranty.
- ✓ Keep bench grinder floor stand dry.
- ✓ Keep children and unauthorised persons away from the work area.
- ✓ Ensure that the unit is properly and securely assembled before use.
- ❑ **WARNING!** Failure to comply with these instructions may result in damage to the stand or other property and/or personal injury.
- ❑ **WARNING!** The warnings, cautions and instructions discussed in this instruction manual cannot cover all possible conditions and situations that may occur. It must be understood that common sense and caution are factors which cannot be built into this product, but must be applied by the operator.

2. INTRODUCTION

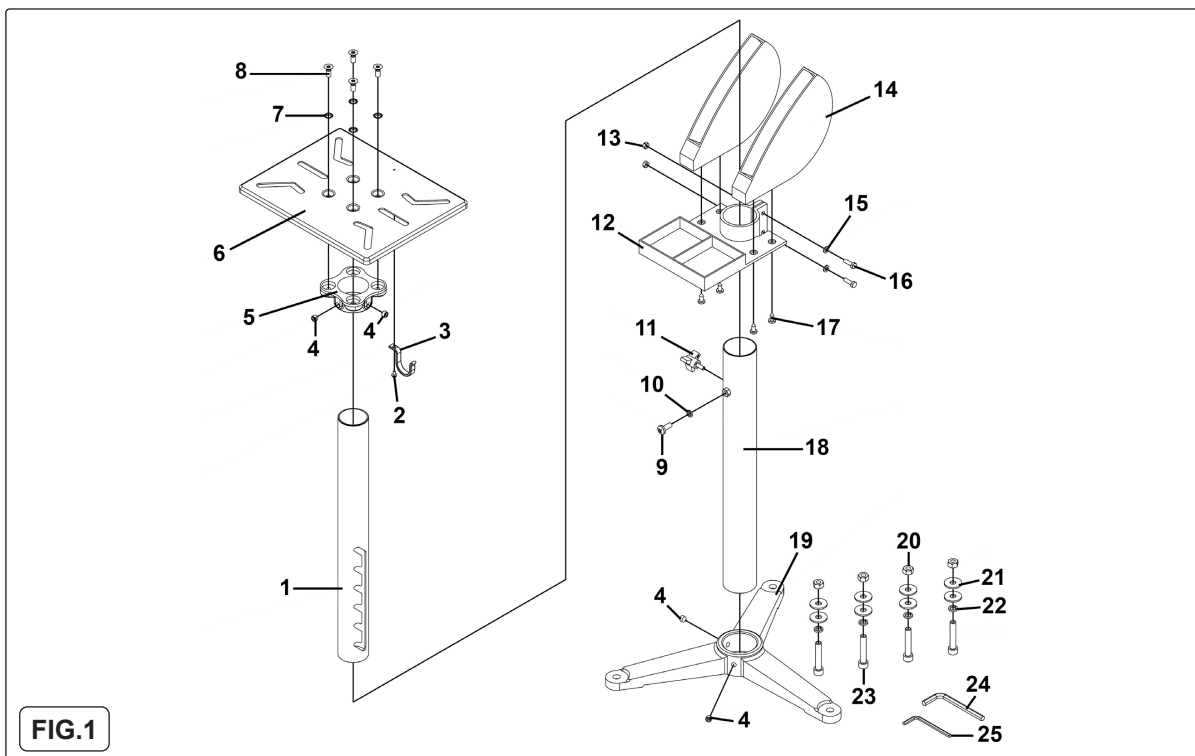
Sturdy bench grinder stand with floor mounting holes for added security. Heavy-duty cast iron base. Adjustable heights from 700mm to 900mm. Features accessory tray and two compartments for the storage of grinding wheels. Power cable hook for safe storage of grinder power cords. Compatible with the Sealey range of bench grinders, and also suitable for other leading brands of bench grinders.

3. SPECIFICATION

Model No:	BGST1
Nett Weight:	7.62kg
Size (W x D x H):	315 x 250 x 900mm

4. ASSEMBLY

Numbers refer to attached parts list.



Before you begin, separate all parts and group by size and style. If any parts are missing, contact your Sealey stockist immediately.

NOTE: finger tighten nuts and bolts when assembling. Once assembled, use an adjustable wrench to ensure all fixings are secure.

WARNING! This stand must be installed on solid level ground and in combination with compatible bench grinders.

4.1. ASSEMBLING THE STAND (FIG.1)

4.1.1. Slide upright (18) into base (19) use grub screws M10 x 10 (4) to secure.

4.1.2. Attach grinding wheel storage compartment (14) to accessory tray (12) using self-tapping screws ST6,3 x 16 (17). Slide completed unit over upright (18). Use flat M6 zinc washer (15), hex head set screws M6 x 20 zinc (16), and steel nuts M6 zinc (13) to attach.

4.1.3. ASSEMBLING THE TOP TRAY

4.1.4. Assemble top tray holding bracket (5) to top tray (6) using retaining washers (7) and countersunk Phillips machine screw M8 x 20 zinc (8). Slide unit over movable bracket arm (1) and secure using grub screws M10 x 10 (4).

4.1.5. Attach storage hook (3) to top tray (6) using machine screw pan head Phillips M4 x 8mm (2).

4.1.6. Slide the completed table assembly onto the upright (18) secure using knob, adjustable threaded (11) and spring washer M8 zinc (10) and machine screw pan head Phillips M8 x 20mm (single) (9).

4.2. SECURING A GRINDER

4.2.1. Make sure bench grinder stand is bolted down securely to the floor before installing bench grinder to the top.

WARNING! To avoid injury, turn the grinder switch OFF and unplug from the power source before mounting onto the stand.

4.2.2. Mount grinder onto the grinder floor stand. See (fig.2).



FIG.2

Bench grinder not included



ENVIRONMENT PROTECTION

Recycle unwanted materials instead of disposing of them as waste. All tools, accessories and packaging should be sorted, taken to a recycling centre and disposed of in a manner which is compatible with the environment. When the product becomes completely unserviceable and requires disposal, drain any fluids (if applicable) into approved containers and dispose of the product and fluids according to local regulations.



Note: It is our policy to continually improve products and as such we reserve the right to alter data, specifications and component parts without prior notice.

Important: No Liability is accepted for incorrect use of this product. Please note that other versions of this product are available. If you require documentation for alternative versions, please email or call our technical team on technical@sealey.co.uk or 01284 757505.

Warranty: Guarantee is 12 months from purchase date, proof of which is required for any claim.

Sealey Group, Kempson Way, Suffolk Business Park, Bury St Edmunds, Suffolk. IP32 7AR



01284 757500



sales@sealey.co.uk



www.sealey.co.uk