



HEAVY-DUTY MODULAR WORKBENCH WITH RACKING & PEGBOARD - 300KG CAPACITY PER LEVEL

MODEL NO: **APMWB1**

Thank you for purchasing a Sealey product. Manufactured to a high standard, this product will, if used according to these instructions, and properly maintained, give you years of trouble free performance.

IMPORTANT: PLEASE READ THESE INSTRUCTIONS CAREFULLY. NOTE THE SAFE OPERATIONAL REQUIREMENTS, WARNINGS & CAUTIONS. USE THE PRODUCT CORRECTLY AND WITH CARE FOR THE PURPOSE FOR WHICH IT IS INTENDED. FAILURE TO DO SO MAY CAUSE DAMAGE AND/OR PERSONAL INJURY AND WILL INVALIDATE THE WARRANTY. KEEP THESE INSTRUCTIONS SAFE FOR FUTURE USE.



Refer to instructions



Wear eye protection



Wear protective gloves

1. SAFETY

- ✓ Unpack the unit and confirm that you have all parts listed.
- ✓ Assemble on a solid, level surface. Avoid carpet.
- ✓ You will require assistance from a second person during assembly.
- ✓ For added safety and support, it is recommended to fix the unit to a wall. Use correct fixings for the structure of the wall.
- ✓ When assembling or installing this product, wear protective gloves and eyewear.
- ✓ This product has been tested to safety carry a load of up to 1100kg evenly distributed, when properly installed and maintained.
- ✓ Heaviest items are to be loaded on the lowest shelves.

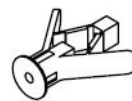
2. INTRODUCTION

Rubber wood workbench with racking storage and pegboard. Textured powder coat steel frame with three heavy-duty powder coated steel mesh shelves. Industrial structured beams offer added strength. Tool-less assembly of upright and shelves with just basic assembly required to attach pegboards. Specifically designed and sized drawer units and cupboards available to keep storage tidy, see model numbers APMB1, APMB2, APMB3, APMB4 and APMB5 (sold separately).

3. SPECIFICATION

MODEL NO:	APMWB1	
Overall Size	Width:	1820mm
	Depth:	540mm
	Height:	2090mm
Weight Capacity:	Top Shelf:	200kg
	Workbench:	300kg
	Middle Shelf:	300kg
	Bottom Shelf:	300kg

FIXINGS



A x 2



B x 2



C x 2

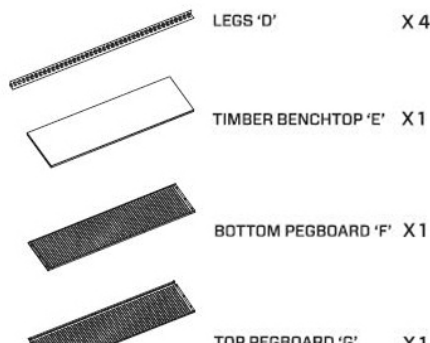
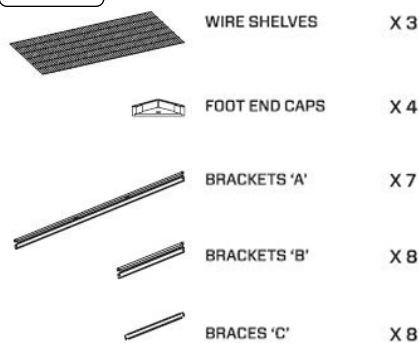


D x 2

4. CONTENTS

NOTE: You will need the following : rubber mallet, crosshead screwdriver, adjustable spanner, drill and 3mm drill bit.

PARTS

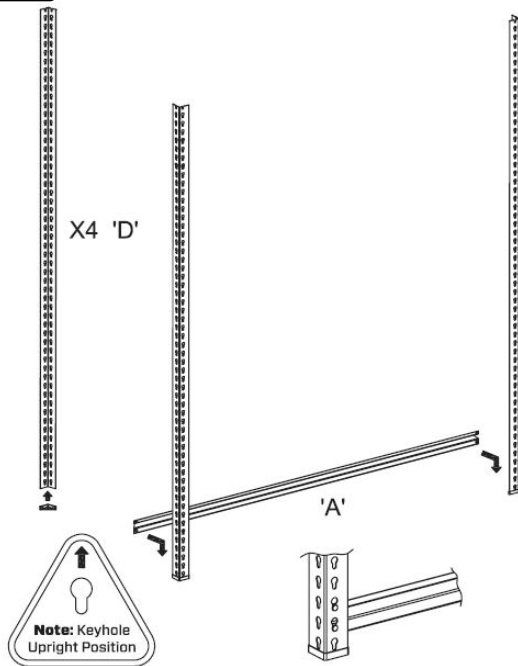


NOT TO SCALE

PLEASE NOTE: Tip-over prevention kit included (refer to last page for installation).

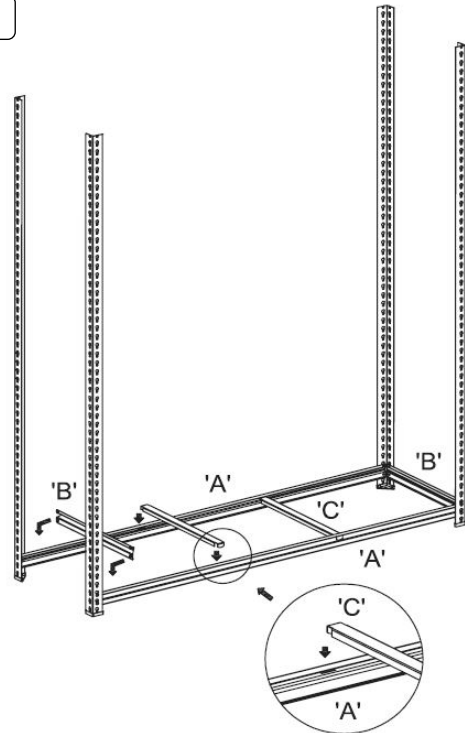
5. ASSEMBLY

STEP 1



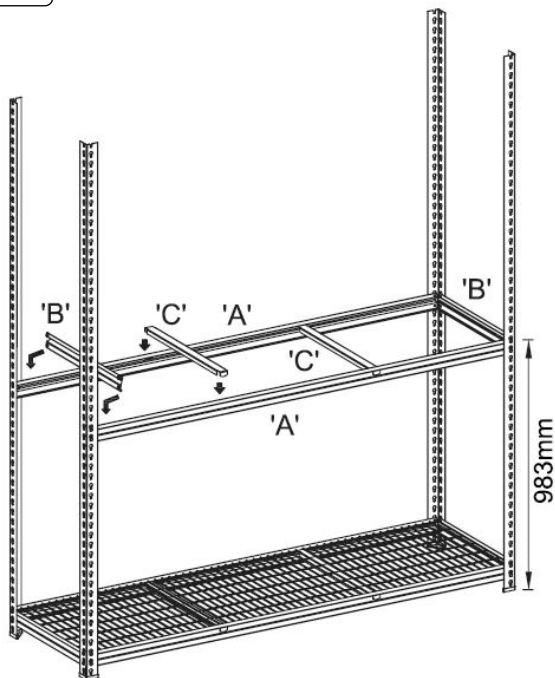
Step 1: Add Foot End Caps to bottom of Legs 'D'. Slot Brackets 'A' into the bottom of Legs 'D' as shown in the diagram. NOTE: Flat edges face outwards. Lock rivets to the bottom of the keyhole by tapping the Brackets with a rubber mallet.

STEP 2



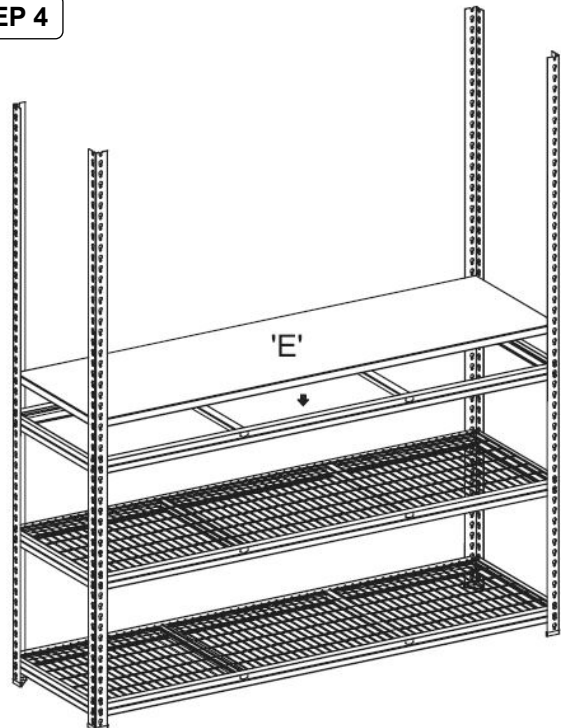
Step 2: Slot Brackets 'B' into the bottom of Legs 'D' as shown in the diagram. Slot Braces 'C' into position through the holes provided on Brackets 'A'. NOTE: Flat edges face outwards. Lock rivets to the bottom of the keyhole by tapping the Brackets with a rubber mallet.

STEP 3



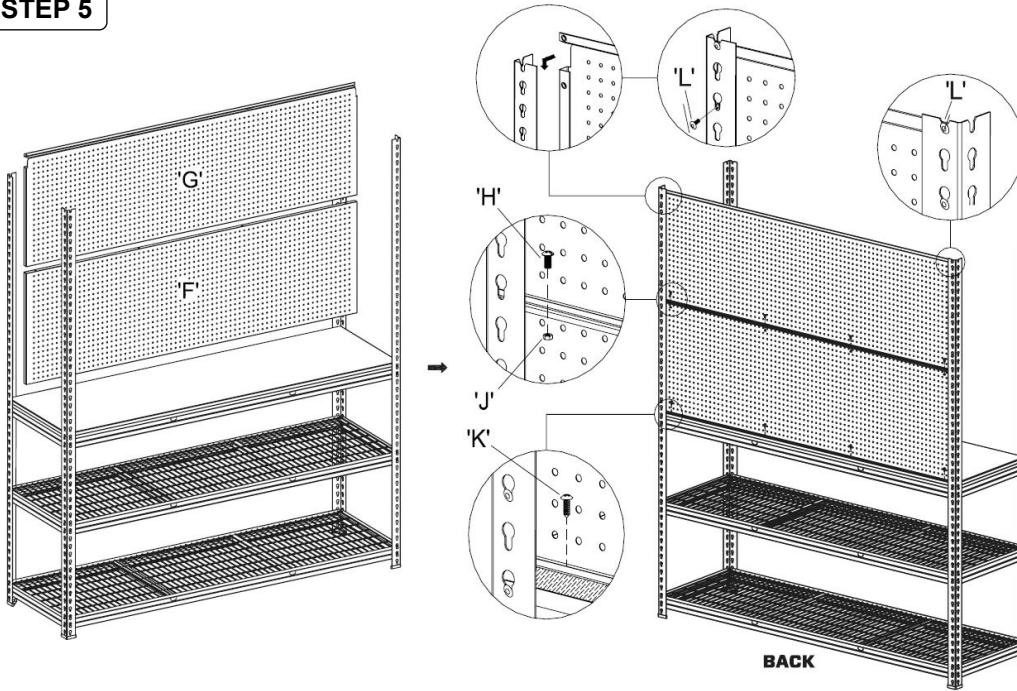
Step 3: Assemble the benchtop frame by slotting brackets A and B followed by braces 'C'. **Please note:** All brackets for this step need to be slotted into the 25th and 26th keyhole from the bottom of part 'D' (legs).

STEP 4



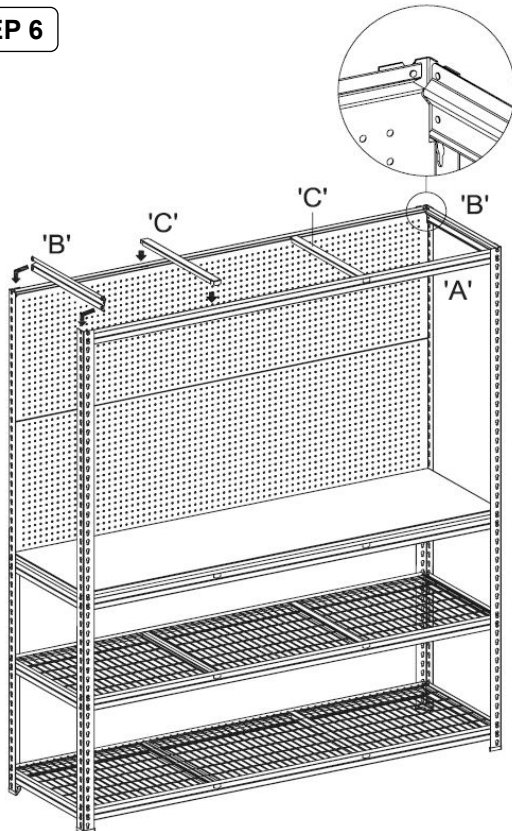
Step 4: Repeat Steps 1 and 2 for the middle shelf. Lay the wire shelf and Timber Benchtop 'E' between brackets as shown in the diagram.

STEP 5



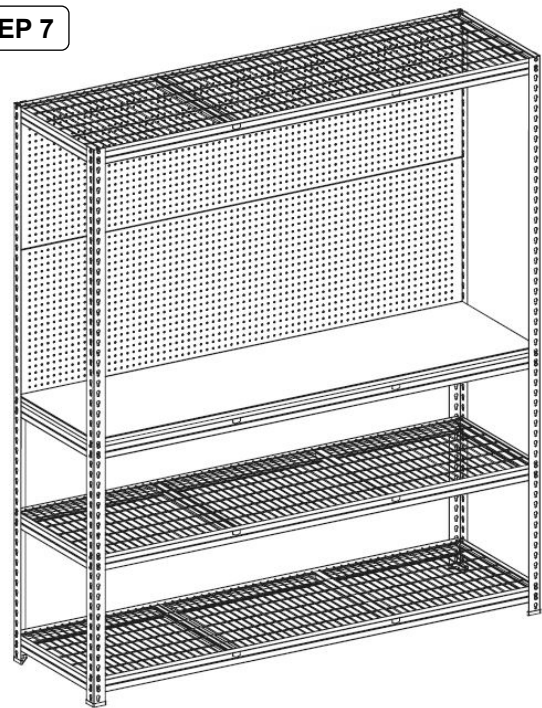
Step 5: Place bottom pegboard 'F' above the benchtop. Line up the thread on the pegboard with the keyholes in the legs and secure it with the provided M6x10mm Bolts 'L'. Place top pegboard 'G' above the bottom pegboard and repeat the steps to secure it to the legs. To secure the two pieces of pegboard together in the middle, use the provided bolts 'H' and nuts 'J'. Finally, to secure the bottom pegboard to the workbench use the M5x16mm self tapping screws 'K'. Please note when fixing the bottom pegboard to the timber benchtop it is recommended that you drill 3mm pilot holes first.

STEP 6



Step 6: Slot in Bracket 'A' and Brackets 'B' into the top of Legs 'D' as shown in the diagram. Slot Braces 'C' into position through the holes provided. NOTE: Flat edges face outwards. Lock rivets to the bottom of the keyhole by tapping the Brackets with a rubber mallet.

STEP 7



Step 7: Lay the wire shelf between brackets as shown.

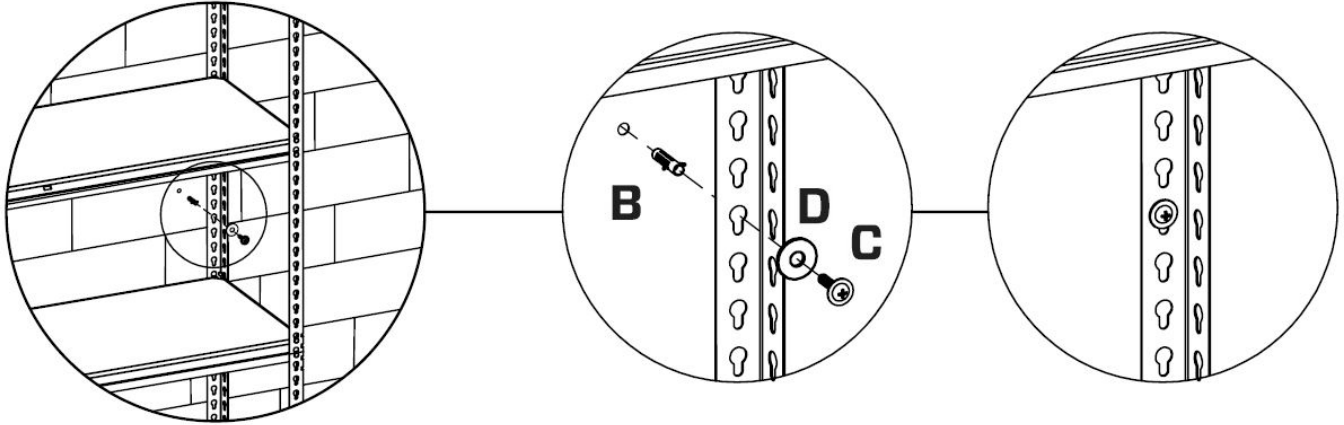
PLEASE NOTE: Refer to next page for attaching the provided Tip-over prevention kit.

Top Shelf Capacity: 200kg
Benchtop Capacity: 300kg
Middle Shelf Capacity: 300kg
Bottom Shelf Capacity: 300kg

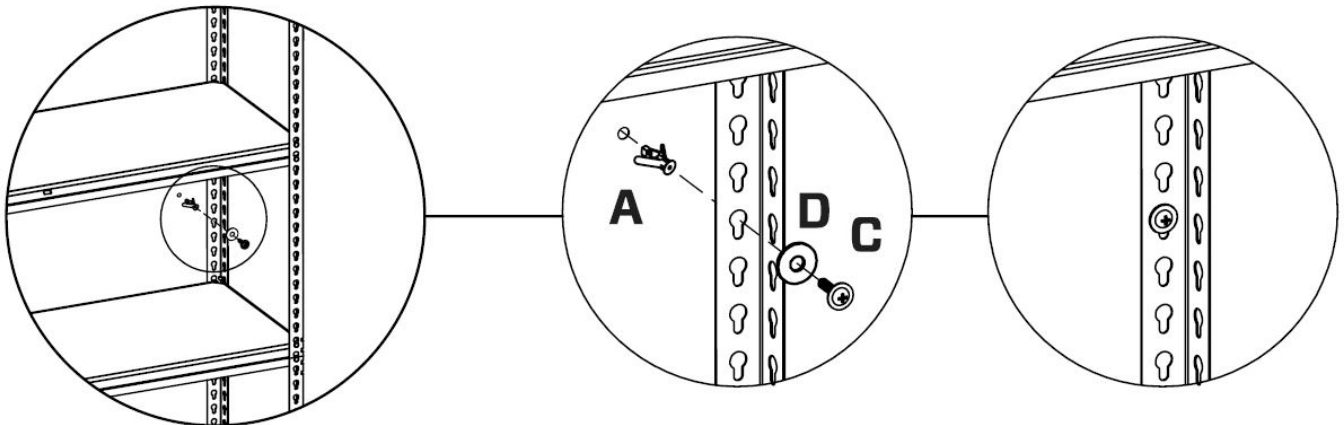
6. TIP OVER PREVENTION

- ❑ **WARNING!** Toppling furniture can cause serious injuries and death. It is strongly recommended that you anchor this product. A 'tip-over prevention kit' has been provided with this product to stop your furniture from tipping forward. It is strongly recommended that you securely attach this product to a wall or other solid surface using the provided fixings.
IMPORTANT: regularly check that anchors are securely maintained. Stability of tall items may be affected by uneven floors.
CAUTION: For your safety when attaching the anchor fixings, please note the following:
 - ✓ Check for any electrical wires or plumbing inside the wall before drilling any holes. If you are unsure please seek professional advice from a qualified tradesperson.
 - ✓ Walls are constructed from different materials, for example, masonry (solid brick) or plasterboard lined cavity walls (hollow). It is important that you use the appropriate wall fixings for your wall type.

Final Step (For Brick/Masonry wall):



Final Step (For Plaster wall):



ENVIRONMENT PROTECTION

Recycle unwanted materials instead of disposing of them as waste. All tools, accessories and packaging should be sorted, taken to a recycling centre and disposed of in a manner which is compatible with the environment. When the product becomes completely unserviceable and requires disposal, drain any fluids (if applicable) into approved containers and dispose of the product and fluids according to local regulations.



REGISTER YOUR PURCHASE HERE

Note: It is our policy to continually improve products and as such we reserve the right to alter data, specifications and component parts without prior notice.

Important: No Liability is accepted for incorrect use of this product.

Warranty: Guarantee is 12 months from purchase date, proof of which is required for any claim.

Sealey Group, Kempson Way, Suffolk Business Park, Bury St Edmunds, Suffolk. IP32 7AR



01284 757500



sales@sealey.co.uk



www.sealey.co.uk