



™ BUTANE HEAT GUN

MODEL NO: **AK2975**

Thank you for purchasing a Sealey product. Manufactured to a high standard, this product will, if used according to these instructions, and properly maintained, give you years of trouble free performance.

IMPORTANT: PLEASE READ THESE INSTRUCTIONS CAREFULLY. NOTE THE SAFE OPERATIONAL REQUIREMENTS, WARNINGS & CAUTIONS. USE THE PRODUCT CORRECTLY AND WITH CARE FOR THE PURPOSE FOR WHICH IT IS INTENDED. FAILURE TO DO SO MAY CAUSE DAMAGE AND/OR PERSONAL INJURY AND WILL INVALIDATE THE WARRANTY. KEEP THESE INSTRUCTIONS SAFE FOR FUTURE USE.



Refer to instruction manual



Wear eye protection



Wear protective gloves



Warning hot surface

1. SAFETY

IMPORTANT: Read these instructions for use carefully to familiarize yourself with the appliance before connecting it to its gas cartridge or gas cylinder. Keep these instructions for future reference.

- ✓ Assembly and adjustment made in the factory shall not be modified. It can be dangerous to try to modify the adjustment or the construction of the appliance, to dismantle some parts or to use components other than those recommended.
- ✗ **DO NOT** use grease or oil with parts in contact with oxygen.
- ✓ Connect the containers in a well-ventilated place, in a flame or ignition-source free atmosphere, far from other persons.
- ✗ **DO NOT** smoke when changing containers.
- ✓ Disconnect the containers if the appliance is not to be used for a prolonged period or in the case of transport by vehicle.
- ✓ Store and transport with the containers upright.
- ✓ Keep away from children.
- ✓ Use only in a well-ventilated area.
- ✗ **DO NOT** use the appliance if it has damaged or worn seals.
- ✗ **DO NOT** use an appliance which is leaking, damaged or which does not operate properly.
- ✓ Use the product away from flammable materials.
- ✓ Check the seals (between the appliance and the gas cartridge) are in place and in good condition before connecting gas cartridge.
- ✓ Gas cartridge shall be changed in a well-ventilated location, preferably outside, away from any sources of ignition, such as naked flames, pilots, electric fires and away from other people.
- ✓ If there is a leak on your appliance (smell of gas), take it outside immediately into a well ventilated flame free location where the leak may be detected and stopped. If you wish to check for leaks on your appliance, do it outside. Do not try to detect leaks using a flame, use soapy water.
- ✓ The appliance must be used in a well-ventilated location in accordance with national requirements, for the supply of combustion air and to avoid the dangerous building up of un-burnt gases for appliances not fitted with a flame supervision device.
- ✓ Check that the connection (between the appliance and the gas cartridge) are in place and in good condition before connecting to the gas cartridge. Ensure that the safety trigger is fully engaged before loading a gas cartridge.
- ✓ It can be dangerous to use containers other than those recommended. Only use with gas cartridges provided.
- ✗ **DO NOT** use an appliance which shows any damage.
- 1.1. **SPECIFIC OPERATIONAL SAFETY**
 - ✗ **DO NOT** put an ignited heat gun down.
 - ✓ Be careful not to heat the gas containers.
 - ✗ **DO NOT** work in an enclosed space; maintain good ventilation. Operate at least 500mm away from any adjacent surfaces.
 - ✓ Work only in a clean place, far from combustible or greased materials. Wear non-greased clothes.
 - ✗ **DO NOT** use any gas container other than those provided with the unit.
 - ✓ Avoid breathing welding/soldering fumes.
 - ✓ Allow the heat gun to cool before stowing away.
 - ✗ **DO NOT** modify the appliance.
 - ✓ Use only specified spare parts.
 - ✓ Never use an appliance with a damaged part.
 - ✓ Wear eye and hand protection.
 - ✓ Failure to use the heat gun correctly may result in fire, damage and/or personal injury.
 - ✗ **DO NOT** look into the heat gun outlet when igniting.
 - ✗ **DO NOT** leave a lit heat gun unattended.
 - ✗ **DO NOT** get the heat gun wet or attempt to cool it with water.
 - ✓ **CAUTION!** Contains flammable gas under pressure.
 - ✗ **DO NOT** store near naked flames or combustible materials.
 - ✓ Use only high quality butane gas.
 - ✗ **DO NOT** use the heat gun for 5 minutes after refilling in order to allow any residual gas to disperse.
 - **WARNING!** Butane is highly flammable, handle with care.
 - ✗ **DO NOT** drop puncture or incinerate.
 - ✗ **DO NOT** store or operate at temperatures above 50°C.

2. INTRODUCTION

Butane powered flameless heat gun with piezoelectric ignition. Quickly heats up to 500°C in 15 seconds, reaching a maximum temperature of 600°C. Continuous heat output for up to 30mins. Cartridge style removable safe refill system. Features heat cage design and trigger safety lock for added user protection. Gun can also stand vertically for hands-free use. Suitable for a number of applications including heat shrinking, paint and label removal, automotive repair, loosening rusted bolts, plastic bending and more. Supplied in a storage case with three nozzles and spare gas cartridge.

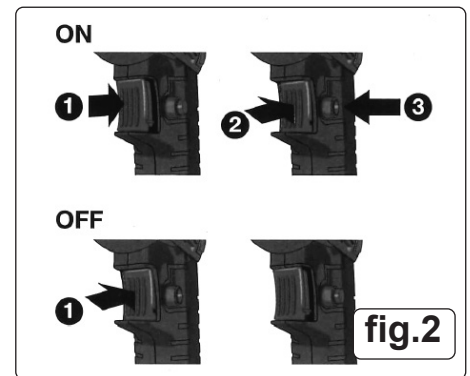
3. SPECIFICATION

Model No: AK2975
 Height: 215mm
 Run Time: 30mins
 Weight: 1.30kg

4. CONTENTS



Ref:	Description
A	Trigger
B	Trigger lock (continuous flow)
C	Hot air outlet
D	Heat guard
E	Gas cannister
F	Stand



5. OPERATION

5.1. SAFETY TRIGGER Refer to figs.1 & 2

5.1.1. Release trigger A by moving latch to the left or right.

5.2. **IGNITION:** Depress trigger to light the heat gun. Flaring may occur during warm-up if the torch is over-filled or moved abruptly.

5.3. **CONTINUOUS GAS FLOW:** depress trigger lock B whilst depressing trigger.

5.4. **TURN OFF (EXTINGUISH):** Press trigger A and release.

5.5. FILL GAS CANNISTER

5.5.1. Remove refer to fig.3 and invert, refer to fig.4, then insert the gas container's nozzle vertically into the filling valve from above.

* **DO NOT** attempt to fill from underneath, fig.4.

* **DO NOT** use heat gun for 5 minutes in order to let residual gas disperse.

5.5.2. Gas consumption per refill 60g/h.

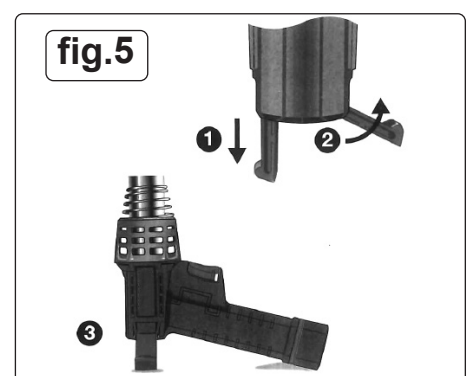
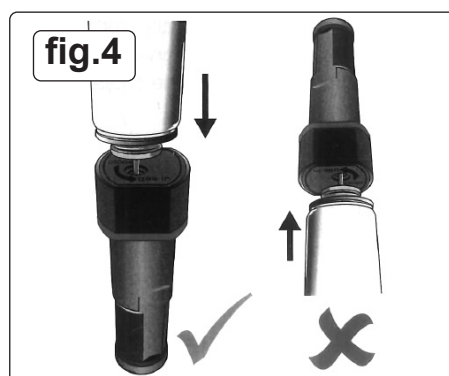
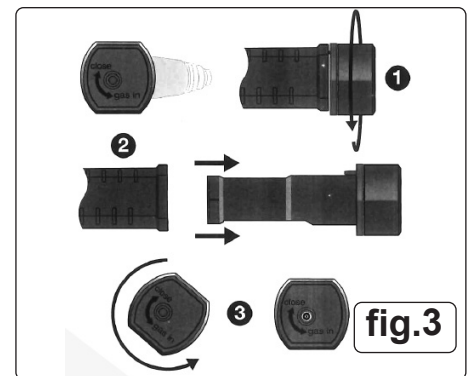
5.6. STAND Refer to fig.5

5.6.1. Pull tabs out and to stand heat gun upright.

5.7. ACCESSORIES fig.1:

Slide the accessories over the end of the hot air outlet.

NOTE: Allow to cool before removing and storing in case.



6. MAINTENANCE

6.1. REFILL

- 6.1.1. Fill only with butane gas. It may be hazardous to attempt to fit other types of gas.
- 6.1.2. Refill in a well-ventilated area, away from flame, combustible materials and another person.
- 6.1.3. Please make sure the unit is off before refilling.
- 6.1.4. Placing the soldering iron in an upside-down position, Insert the gas canister into the torch refilling valve.
- 6.1.5. Fill slowly. **DO NOT** overfill. When gas starts to overflow stop filling
- 6.1.6. After filling, wipe lighter and hands dry before igniting.
- 6.1.7. The refilling operation takes some minutes to allow the gas to stabilize.
- 6.1.8. For next refilling, let the torch cool down for 5 Minutes before filling the tank.

6.2. REPLACEMENT OR INSTALLATION OF ATTACHMENTS

- WARNING!** Always leave to cool completely the tool before to remove or replace the inserts.
- 6.2.1. Be sure to use the attachment right for the job you want to do.
- 6.2.2. Use only the attachment that fit perfectly on the tool. The attachment that **DO NOT** fit perfectly can result in uncontrolled and dangerous flame.

6.3. CLEANING

- 6.3.1. Turn off the heat gun and let it cool completely before cleaning.
- 6.3.2. Clean the gun and attachments with a damp cloth or sponge when still warm. **DO NOT** use solvents.

6.4. STORAGE

- 6.4.1. **DO NOT** store at ambient temperatures greater than 50°C.
- 6.4.2. Store in dry environment.

Parts support is available for this product. Please email sales@sealey.co.uk or telephone 01284 757500



ENVIRONMENT PROTECTION

Recycle unwanted materials instead of disposing of them as waste. All tools, accessories and packaging should be sorted, taken to a recycling centre and disposed of in a manner which is compatible with the environment. When the product becomes completely unserviceable and requires disposal, drain any fluids (if applicable) into approved containers and dispose of the product and fluids according to local regulations.

Note: It is our policy to continually improve products and as such we reserve the right to alter data, specifications and component parts without prior notice.

Important: No Liability is accepted for incorrect use of this product.

Warranty: Guarantee is 36 months from purchase date, proof of which is required for any claim.



REGISTER YOUR PURCHASE HERE

Sealey Group, Kempson Way, Suffolk Business Park, Bury St Edmunds, Suffolk. IP32 7AR



01284 757500



sales@sealey.co.uk



www.sealey.co.uk