

Thank you for purchasing a Sealey product. Manufactured to a high standard, this product will, if used according to these instructions, and properly maintained, give you years of trouble free performance.



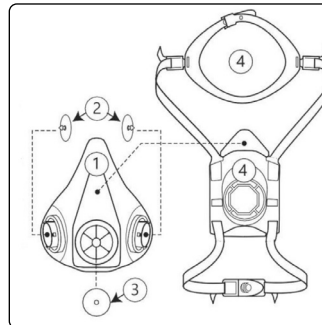
### REFER TO INSTRUCTIONS

**IMPORTANT:** PLEASE READ THESE INSTRUCTIONS CAREFULLY. NOTE THE SAFE OPERATIONAL REQUIREMENTS, WARNINGS & CAUTIONS. USE THE PRODUCT CORRECTLY AND WITH CARE FOR THE PURPOSE FOR WHICH IT IS INTENDED. FAILURE TO DO SO MAY CAUSE DAMAGE AND/OR PERSONAL INJURY AND WILL INVALIDATE THE WARRANTY. KEEP THESE INSTRUCTIONS SAFE FOR FUTURE USE.

## 1. INTRODUCTION

Provides respiratory protection when used with filters and cartridges. Suitable for Sealey Model No's 9001, 9002, 9003, 9004, 9005, 9007, 9008 filters. Accepts filters with a suitable bayonet fixing. Fitted ergonomic shape ensures optimal vision. Made from Thermoplastic Rubber. Medium

**Type Examination Ref.:** 0082/1694/079/11/21/0716  
**Notified Body:** Apave Sudeurope sas  
**Notified Body Number:** 0082



1. Face seal: sizes S (ref. TPR601), M (ref. TPR602), L (ref. TPR603)
2. Inhalation Valves. (ref. FFP615)
3. Exhalation Valve (ref. HMS606).
4. Head straps connected to the body adjustable and unzipped (ref. HMS709).

## 2. SAFETY

- ✗ This half mask does not supply oxygen (O<sub>2</sub>) and must be used in a ventilated working environment in which the oxygen content is equal to or greater than 19.5% by volume.
- ✓ The appropriate type of filter should be selected depending on the concentration and type of contaminants.
- ✗ **DO NOT** use the respirator in environments where the concentration value of contaminants is unknown creating an immediate danger to life or health.
- ✓ When using the half-mask, you must always wear two filtering pieces.
- ✗ **DO NOT** use for protection against carbon monoxide.
- ✗ **DO NOT** modify the mask, or use if damaged.
- ✗ **DO NOT** use in containers, wells, sewers or in confined spaces without ventilation.
- ✗ **DO NOT** use the half-mask if facial hair or a beard prevents the mask from sealing.
- ✓ It is unlikely that the requirements for leakage will be achieved if facial hair passes under the face seal.
- ✓ Leave the workplace if the respirator is damaged, breathing is difficult and / or dizziness or nausea occurs.
- ✗ **DO NOT** use in an explosive environment.
- ✓ Use only in conjunction with CE approved filters in accordance with EN 143:2000 + A1:2006 and / or with cartridge filters in accordance with EN 14387:2004 + A1:2008 standard. The applicable country regulations have to be followed. In order to get guidelines EN529: 2005 standard (recommendations for selection, use, care and maintenance) is available).
- ✗ **DO NOT** use in an oxygen enriched atmosphere or in an oxygen enriched atmosphere.

### PRODUCT MARKINGS

SEE INFORMATION PROVIDED BY THE MANUFACTURER

STORAGE TEMPERATURE RANGE

MAXIMUM STORAGE RELATIVE HUMIDITY

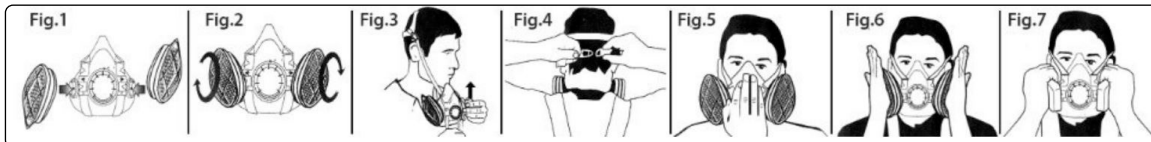
EXPIRY DATE YEAR / MONTH YYYY/MM

DATE STAMP PRODUCTION DATE YEAR / MONTH

## 3. INSTRUCTIONS

### 3.1. BEFORE USE

Ensure the respirator has all parts: harness and straps, inhalation valves and exhaust, seals etc. Ensure the half mask is in perfect condition, does not show signs of dirt/cracks/damage/impacts; on any of its elements. **DO NOT** use if damaged. Ensure all components are suitable for the intended use. Ensure the two available air-purifying components are of the same type.



### 3.2. ASSEMBLY

Align the plastic filter adapter with the filter holder on the mask (Fig.1). Press and turn filter all the way to the right (Fig.2). Repeat the procedure for the other filter.

### 3.3. FITTING

Adjust the plastic part of the headband (cradle) so that it fits comfortably around your head. Place the plastic cradle over your head so that the arrow is next to the face drawing (on the cradle) was facing up. Hold the ends of the lower elastic bands with one hand and slide mask over your face with the other, covering mouth and nose (Fig.3). Grab the ends of the straps, place them on the back of your neck and connect them together. (Fig.4) Adjust the strap tension, pulling the ends of the straps until a secure and comfortable fit is achieved. Strap tension can be reduce by pushing the buckle out of the back. To remove the mask, loosen the elastic straps, undo the lower straps and take it off your head.

### 3.4. CHECKING THE TIGHTNESS & FIT

#### 3.4.1. Positive Pressure Facelift Check:

Using filters, absorbers and filter absorbers for the half-mask. Cover the exhalation valve with your hand, exhale gently to build up positive pressure, and make sure that no air leaks were detected. (Fig.5) If there is no leakage a proper fit has been achieved.

### 3.4.2. Negative Pressure Facelift Check:

When using filters 9001, 9002, 9003 cover the holes of the absorbers with your hands and inhale (Fig.6). When using the 9004, 9005, filter absorbers, pinch the filter cover with your fingers to hold it seal, inhale (Fig.7). If there is no air leakage a proper fit has been achieved.

### 3.5. AIR LEAKAGES

If you detect an air leak in some of the tests, the respirator has not been properly fitted on the face. If this is the case, you should re-adjust the elastic straps and repeat the tightness test. If you are unable to obtain the proper face seal, **DO NOT** step in contaminated area. When in doubt, consult a safety inspector.

## 4. MAINTENANCE

### 4.1. STORAGE / TRANSPORT

Store without air-purifying components, in a hermetically sealed bag, at room temperature in a dry place, away from contamination. **DO NOT** expose the mask to direct sunlight or heat above 50°C

### 4.2. CLEANING AND DISINFECTION

Detach the filters / absorbers / filter absorbers before cleaning the half mask. Clean the half mask with a wet cloth and immerse it in a solution of warm water at a temperature not exceeding 50°C, using a neutral detergent if necessary. Rinse with warm water and air dry in a contamination-free environment. **DO NOT** clean with solvents, high detergents or oil based products.

### 4.3. MAINTENANCE

To keep the respirator in the best condition, perform the following steps after each use: Clean and store in a completely dry place in an airtight bag without filters. Check inhalation and exhalation valves and keep them clean, free from any distortion. Make sure that the elasticity of the straps does not decrease. Check the condition and position of the seals on the filter holder and the front section. Make sure that the half-mask is in perfect condition, with no traces of dirt, tears or cracks in any of its parts. If any of its components show any deformation, the half mask should be replaced and / or throw away.

## 5. REPLACEMENT INSTRUCTIONS

### 5.1. HEAD HARNESS ASSEMBLY & VALVE COVER

Remove Head Harness Assembly & Valve Cover by placing thumb beneath valve cover and fingers at the top. Pull the valve cover bottom away from facepiece with the thumb and then up to release the valve cover. Replace Head Harness Assembly & Valve Cover by positioning the peg on the facepiece into the notch at the top of the valve cover. Press the bottom of the valve cover into the facepiece. When properly engaged, an audible snap should be heard.

### 5.2. EXHALATION VALVE REPLACEMENT

Remove Head Harness Assembly & Valve Cover by pulling away from facepiece. Remove Exhalation Valve from valve seat by grasping the valve and pulling each valve stem out from the valve seat. Inspect valve seat, making certain it is clean and in good condition. Replace Exhalation Valve by inserting stems into the two holes until they are visible from inside the facepiece and then pulling the stems through until they are seated and secured. Replace Head Harness Assembly & Valve Cover by positioning the peg on the facepiece into the notch at the top of the valve cover. Press the bottom of the valve cover into the facepiece. When properly engaged, an audible snap should be heard. **NOTE:** Conduct a negative pressure seal check to ensure exhalation valve is functioning properly.

### 5.3. INHALATION VALVE REPLACEMENT

Inhalation valves are located on the inside of the facepiece inhalation ports. These valves should be inspected before each respirator use and during cleaning. Replace whenever valves become damaged or lost. Remove existing valve(s) by grasping valve and pulling valve off the centre post. Replace valve(s) by pressing the hole of the valve over the centre post on the valve seat. Be certain valve(s) is fully engaged through valve post(s) and lays flat.

## 6. OBSOLESCENCE

The half mask is made of high quality materials. However, parts such as valves, braces, straps or other parts that require inspection must be replaced as soon as they show any alteration / distortion. Shelf life of the half mask: 5 years from the production date marked on the half mask.

This document has been drawn up according to Regulation (EU) 2016/425 as amended to apply to GB for Personal Protective Equipment. The declaration of conformity can be accessed at [www.sealey.co.uk](http://www.sealey.co.uk).



### ENVIRONMENT PROTECTION

Recycle unwanted materials instead of disposing of them as waste. All tools, accessories and packaging should be sorted, taken to a recycling centre and disposed of in a manner which is compatible with the environment. When the product becomes completely unserviceable and requires disposal, drain any fluids (if applicable) into approved containers and dispose of the product and fluids according to local regulations.



REGISTER YOUR PURCHASE HERE

**Note:** It is our policy to continually improve products and as such we reserve the right to alter data, specifications and component parts without prior notice.

**Important:** No Liability is accepted for incorrect use of this product.

**Warranty:** Guarantee is 12 months from purchase date, proof of which is required for any claim.

EU | Sealey EU Ltd, Farney Street, Carrickmacross, Co. Monaghan, A81 PK68 Ireland

UK | Sealey Group, Kempson Way, Suffolk Business Park, Bury St Edmunds, Suffolk. IP32 7AR



01284 757500



sales@sealey.co.uk



www.sealey.co.uk