



Dellonda Dual Motor Height-Adjustable Electric Sit & Stand Desk Frame Digital



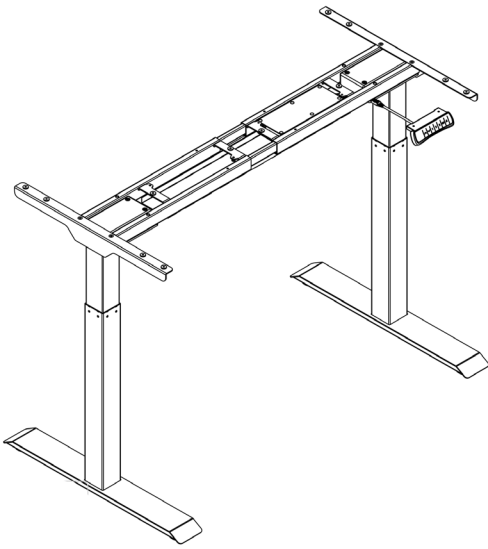
Model No. DH16

Thank you for purchasing a Dellonda product. Manufactured to a high standard, this product will, if used according to these instructions, and properly maintained, give you years of trouble free performance.

Important Information

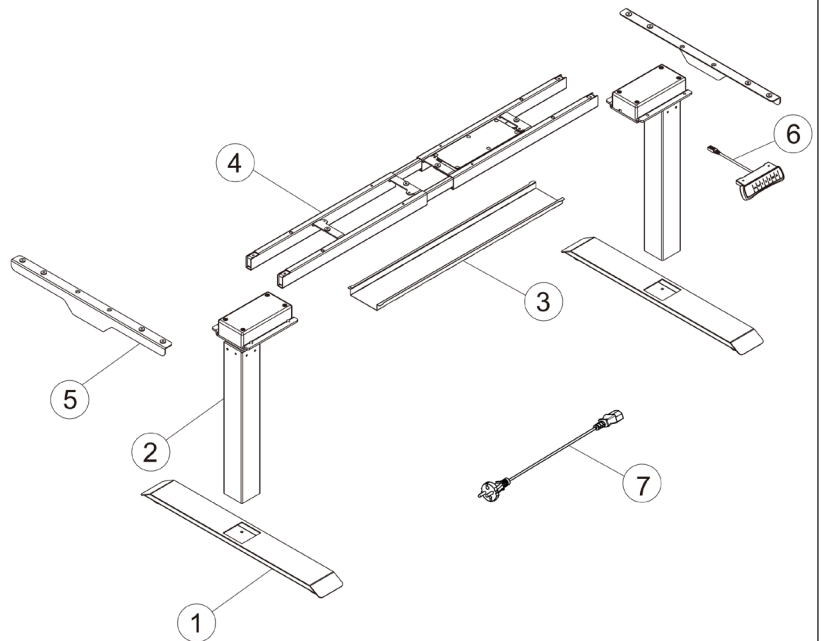
Please read these instructions carefully and note any safe operational requirements, warnings & cautions. Use the product correctly and with care for the purpose for which it is intended. Failure to do so may cause damage and/or personal injury and will invalidate the warranty. Keep these instructions safe for future use.

Contents



No.	Image	Spec	Qty
A		M6	4
B		M6	4
C		M6	8
D		M6	12
E		St4.2	16
F		Allen Key 4x4mm	1

No.	Part	Qty	No.	Part	Qty
①	Feet	2	②	Lifting Column	2
No.	Part	Qty	No.	Part	Qty
③	Cable Management Tray	1	④	Supporting Beam (control box included)	1
No.	Part	Qty	No.	Part	Qty
⑤	Side Bracket	2	⑥	Hand Switch (Option)	1
No.	Part	Qty			
⑦	Power Plug	1			



Specification

- Height range: 690-1180mm
- Horizontal adjustment: 1100-1900mm
- Speed: 32mm/s
- Max. load capacity: 100kg
- Sound level: <50dB
- Supply: 230V
- Recommended desktop dimensions (W x D): 1200-2000mm/600-800mm

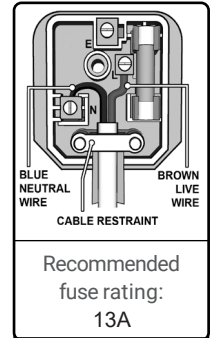
About the Product

Height-adjustable desk frame creates the possibility of a sitting or standing working environment. Features digital control panel with four programmable memory presets enabling you to reach your desired height with the push of a button. Dual motor system ensures a fast and stable adjustment. Features ultra-quiet operation with sound level less than 50dB. Features anti-collision system which prevents desk from rising/lowering further if there is any resistance sensed from another object during height adjustment. Range of four desktop designs available; Model No's. DH19, DH20, DH21, DH22. Some simple assembly is required.

Safety Instructions

• ELECTRICAL SAFETY

- **WARNING!** It is the user's responsibility to check the following:
 - Check all electrical equipment and appliances to ensure that they are safe before using. Inspect power supply leads, plugs and all electrical connections for wear and damage. Dellonda recommend that an **RCD** (Residual Current Device) is used with all electrical products. You may obtain an **RCD** by contacting your electrical retailer.
 - connections to ensure that they are secure.
 - **Important:** Ensure that the voltage rating on the appliance suits the power supply to be used and that the plug is fitted with the correct fuse - see fuse rating in these instructions.
 - **DO NOT** pull or carry the appliance by the power cable.
 - **DO NOT** pull the plug from the socket by the cable.
 - **DO NOT** use worn or damaged cables, plugs or connectors.
 - Ensure that any faulty item is repaired or replaced immediately by a qualified electrician.
 - This product is fitted with a **BS1363/A** 13 Amp 3 pin plug.
 - If the cable or plug is damaged during use, switch off the electricity supply and remove from use.
 - Replace a damaged plug with a **BS1363/A** 13 Amp 3 pin plug. If in doubt contact a qualified electrician.
 - Class **II** products are wired with live (brown) and neutral (blue) only, and are marked with the Class **II** symbol.
 - A) Connect the **BROWN** live wire to the live terminal 'L'.
 - B) Connect the **BLUE** neutral wire to the neutral terminal 'N'.
 - C) Check that there are no bare wires and ensure that all wires are correctly connected.
 - Ensure that the cable outer sheath extends inside the cable restraint and that the restraint is tight.
 - **DO NOT** connect either wire to the earth terminal.
 - Dellonda recommend that repairs are carried out by a qualified electrician.
 - **ALWAYS** make sure there are no hazards in the operating environment. e.g., nothing that will get hooked up on the desk, or stop the desk from raising or lowering fully.
 - Unplug the power source before cleaning. Wipe the dust on surface with slight damp cloth when cleaning, **DO NOT** get water in the electrical housing, and be careful not to loosen any cables.
 - The electrical housing contains electronic components, metals, plastics, wires etc., dispose of in accordance with environmental legislation, not the general household waste.
 - Check carefully to ensure correct and complete assembly before use.
 - Familiarise yourself with all functions and program settings of the product before first use.
 - **DO NOT** let Children play on the product
 - Slight noise caused by the V-ribbed belt or brake system due to structure will not have any effect on the use of the equipment.
 - **DO NOT** clean the unit with corrosive or abrasive materials.
 - This appliance can be used by children aged from 8 years and above and persons with reduced physical, sensory or mental capabilities or lack of experience and knowledge if they have been given supervision or instruction concerning use of the appliance in a safe way and understand the hazards involved. Children shall not play with the appliance.
 - If the supply cord is damaged, it must be replaced by the manufacturer, it's service agent or a similarly qualified person in order to avoid a hazard and prolong the life of the equipment.
 - Keep the original instructions, for future reference.
 - **ALWAYS** inspect the unit prior to use for fatigue and damage. Professional repair only.



Assembly

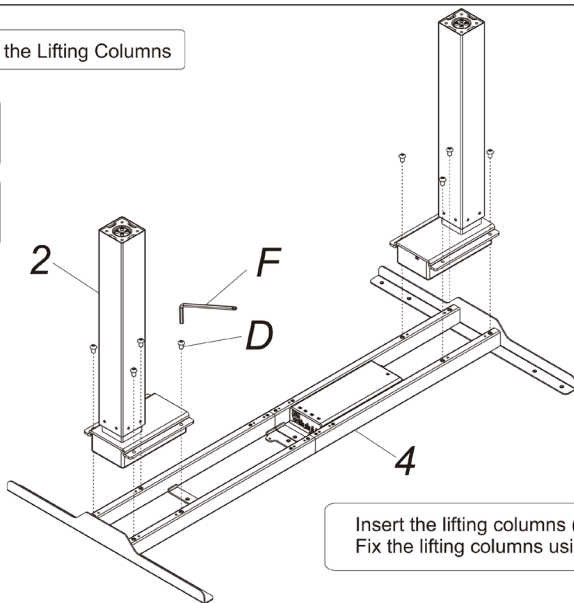
Step 1

Install the Side Brackets

Attach the side brackets(5) to the ends of the supporting beam (4) using screws(A) as show with the Allen Key(F).

Step 2

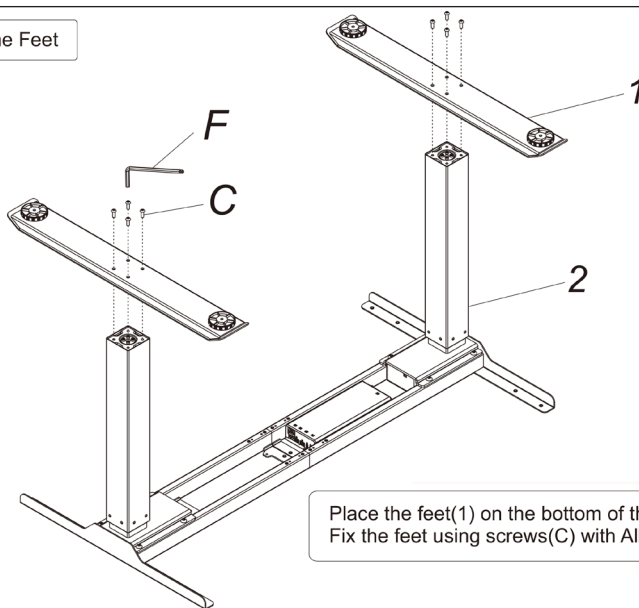
Install the Lifting Columns



Insert the lifting columns (2) into the ends of the supporting beam(4). Fix the lifting columns using screws(D) with the Allen Key(F).

Step 3

Install the Feet



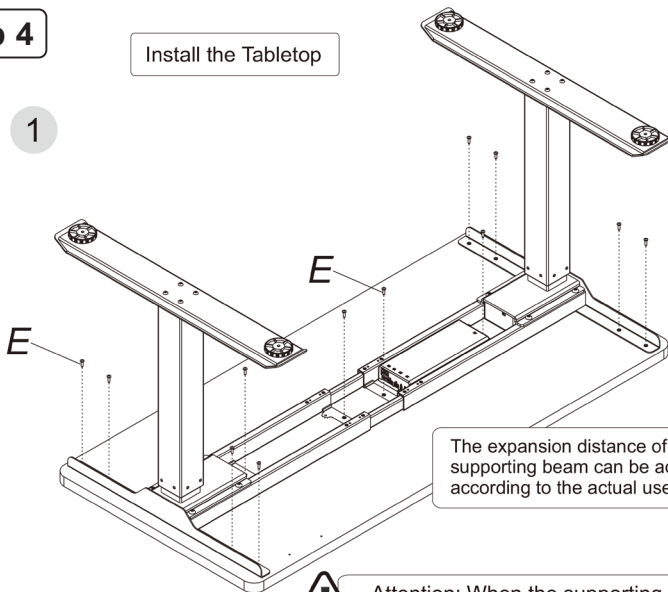
Place the feet(1) on the bottom of the lifting column(2). Fix the feet using screws(C) with Allen Key(F).

Step 4

Install the Tabletop



1

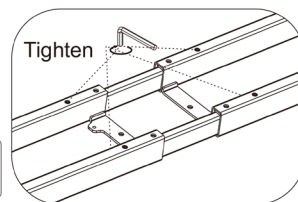
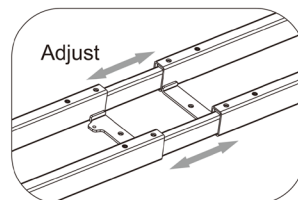
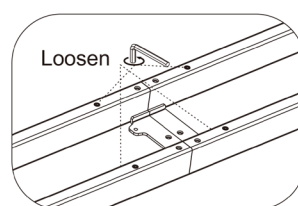


The expansion distance of the supporting beam can be adjusted according to the actual use.



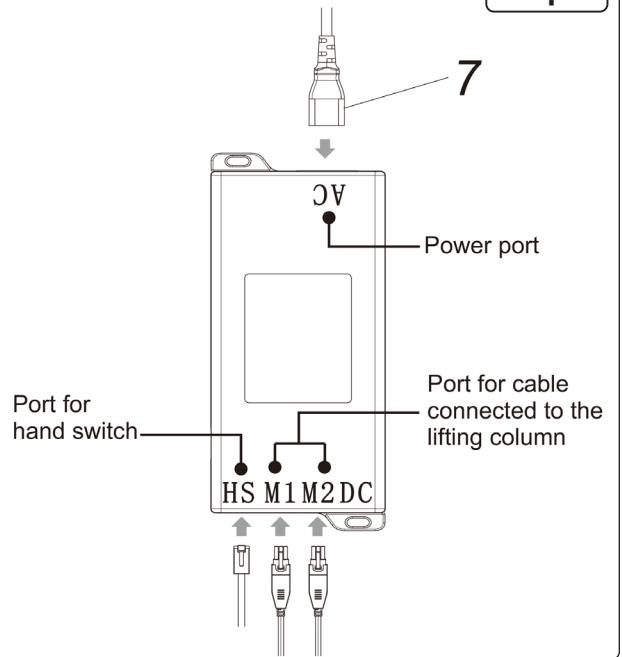
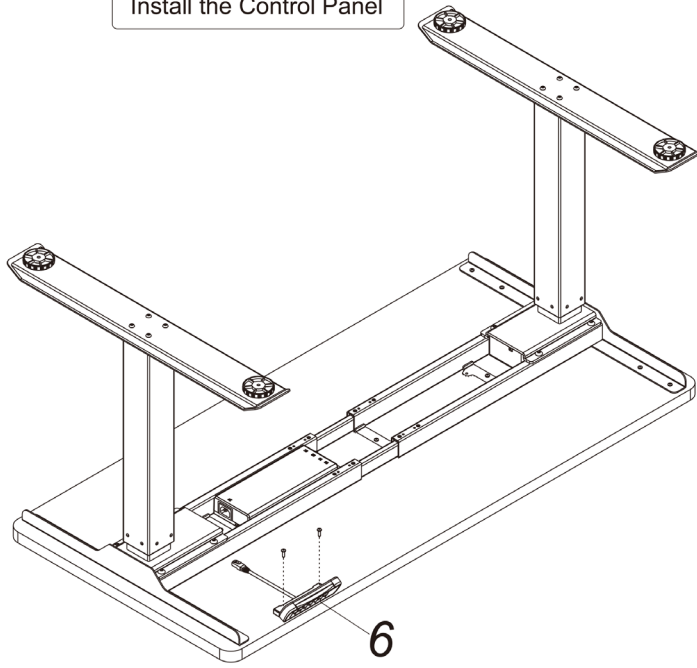
Attention: When the supporting beam is greater than 1720mm, the installation method is as follows: Method 2 in Step 6.

2



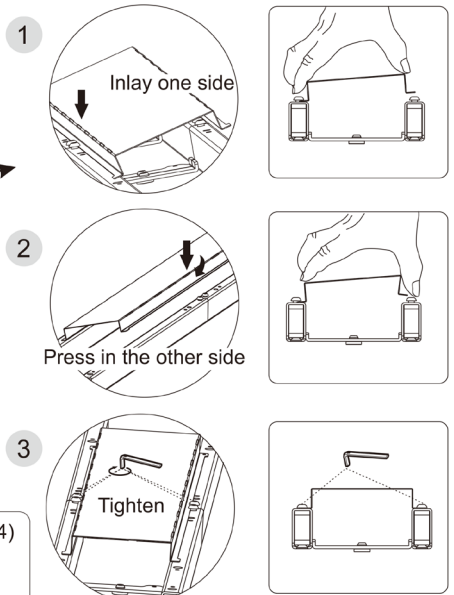
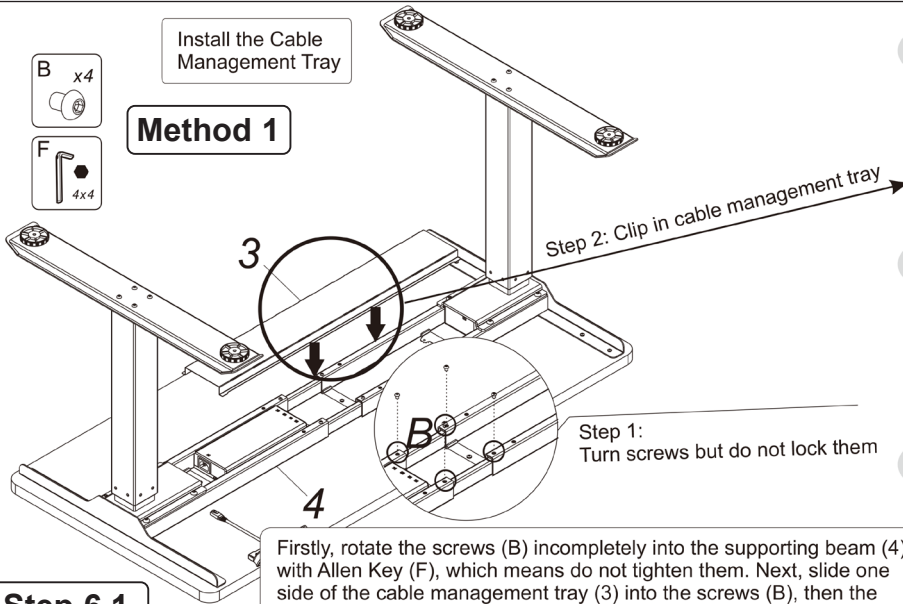
Install the Control Panel

Step 5



Install the Cable Management Tray

Method 1



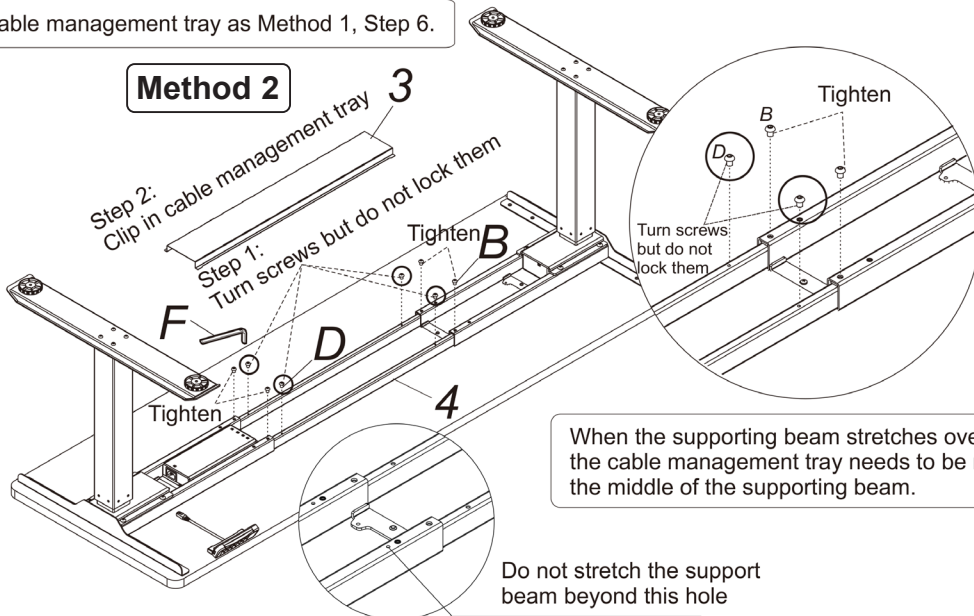
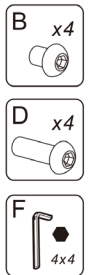
Step 6.1

Firstly, rotate the screws (B) incompletely into the supporting beam (4) with Allen Key (F), which means do not tighten them. Next, slide one side of the cable management tray (3) into the screws (B), then the other side. Finally, tighten the screws (B) with Allen Key (F).

Install the cable management tray as Method 1, Step 6.

Step 6.2






Method 2



When the supporting beam stretches over 1720 mm, the cable management tray needs to be mounted on the middle of the supporting beam.

Do not stretch the support beam beyond this hole

Operation

- There are seven buttons:
- **UP ▲**,
- **DOWN ▼**,
- 1: first saved height
- 2: second saved height
- M: button for height memory function and child lock
-  display shows 3 standing position saved height
-  display shows 4 sitting position saved height
- **Child lock function:**
 - a. When the child lock is turned on, the child lock blue indicator light (above the M button lights up).
 - b. **To turn child lock on:** press either ▲ or ▼ button to illuminate LED display. Press M button for 5 seconds.
 - c. **To turn child lock off:** press and hold the M button for 5 seconds.
 - d. Only when the child lock is unlocked, will the buttons work.
- **Height Memory Function:**
 - a. Press ▲ or ▼ button to adjust the height. Press M to save the height, and the screen will display S-;
 - Press 1, 2, or ,  then, to save the height to the corresponding position 1 or 2, 3, or 4, which will show in the display screen as: S-1 , S-2, S-3, or S-4.
 - b. Press 1, 2 and ,  buttons directly to automatically adjust to the memory heights saved.
- **Anti-collision sensitivity adjustment:**
 - a. Press and hold the ▲▼ button for 5 seconds at the same time to select the sensitivity of the anti-collision function.
 - There are 4 settings: (A-3, A-2, A-1, A-0);
 - b. When the display shows A-0, the anti-collision function is off; the display shows A-1, low sensitivity; Display shows A-2, medium sensitivity; display shows A-3, high sensitivity; (factory default is A-3);
 - c. During height adjustment, if the tabletop comes in contact with another object, it instantly stops and reverses to avoid damage.



Troubleshooting

- **Reset:**
 - a. When the LED shows ASr, press ▼ button until the desk reaches its lowest height and rebounds to stop, it means the reset has been finished.
 - b. When it does not work and the LED shows "E01" or "E02", wait 18 mins and retry.
 - c. If the ▼ button does not work, please check the cable connection and then cut off the power for at least 10 seconds.
- Reconnect to the power and press ▼ button to start the reset process when it shows the ASr.
- d. If any of the above processes do not work, please contact Dellonda.

Fault	Solution
No response whilst pressing the down button after mains supply is connected	1. Check if mains supply is connected 2. Contact Dellonda
No response while pressing up arrow/down arrow after mains supply is connected	1. Check if it is overloaded (70kg max.) 2. Contact Dellonda
Rises slowly	1. Check If overloaded (70kg max.) 2. Contact Dellonda
The motor does not move as instructed	1. Contact Dellonda
Desk lowers but will not raise	1. Reposition 2. Contact Dellonda
Desk creeps downwards	1. Check if it is overloaded (70kg max.) 2. Contact Dellonda
Desk repositions frequently	1. Check if it is overloaded (70kg max.) 2. Contact Dellonda
Desk is overworked (duty cycle = max. 2 mins on 18 mins off)	1. Disconnect from mains supply. Suspend use for 18 mins then reconnect to mains power 2. Contact Dellonda
Not enough up and down height	1. Press M and 3 together for 3 seconds or more, after hearing continuous beeping twice, factory settings will be restored




Environment Protection, Waste Electrical and Waste Electronic Equipment Regulations (WEEE)



Recycle unwanted packaging materials. When this product is no longer required, or has reached the end of its useful life, please dispose of in an environmentally friendly way. Drain any fluids (if applicable) into approved containers, in accordance with local waste regulations. It is our policy to continually improve products and we reserve the right to alter data, specifications and parts without prior notice. No liability is accepted for incorrect use of this product. Guarantee is 12 months from purchase date, proof of which is required for any claim.

Dellonda Limited

Kempson Way, Suffolk Business Park, Bury St Edmunds, Suffolk. IP32 7AR

 01284 757575

 support@dellonda.co.uk

 www.dellonda.co.uk