



20V SV20 SERIES CORDLESS TRIMMING ROUTER - BODY ONLY / ROUTER PLUNGE BASE

MODEL NO: CP20VTR / RPB01

Thank you for purchasing a Sealey product. Manufactured to a high standard, this product will, if used according to these instructions, and properly maintained, give you years of trouble free performance.

IMPORTANT: PLEASE READ THESE INSTRUCTIONS CAREFULLY. NOTE THE SAFE OPERATIONAL REQUIREMENTS, WARNINGS & CAUTIONS. USE THE PRODUCT CORRECTLY AND WITH CARE FOR THE PURPOSE FOR WHICH IT IS INTENDED. FAILURE TO DO SO MAY CAUSE DAMAGE AND/OR PERSONAL INJURY AND WILL INVALIDATE THE WARRANTY. KEEP THESE INSTRUCTIONS SAFE FOR FUTURE USE.



Refer to instructions



Wear eye protection



Wear protective gloves



Wear safety footwear



Wear protective clothing



Wear ear protection



Wear dust mask

1. SAFETY

1.1. GENERAL SAFETY

- WARNING!** Ensure that Health & Safety, local authority and general workshop practice regulations are adhered to when using this equipment.
- WARNING!** Remove the battery from the router before changing bits, servicing or performing any maintenance.
- ✓ Maintain the router in good condition. Check moving parts alignment on a regular basis.
- ✓ Replace or repair damaged parts. *Use an authorised service agent and use recommended parts only. Unauthorised parts may be dangerous and will invalidate the warranty.*
- ✓ Keep the router clean and the bits sharp for best and safest performance.
- ✓ Wear approved safety eye protection (standard spectacles are not adequate) and dust mask.
- ✓ Maintain correct balance and footing. Ensure the floor is not slippery and wear non-slip shoes.
- ✓ Keep children and unauthorised persons away from the working area.
- ✓ Remove ill fitting clothing. Remove ties, watches, rings and other loose jewellery and contain long hair.
- ✓ Use in a suitable work area. Keep area clean, tidy and free from unrelated materials. Ensure there is adequate lighting.
- ✓ Remove any adjusting key or wrench before turning tool on.
- ✓ Evaluate your work area before using the router e.g. work pieces may conceal electric cables or water piping.
- ✓ Secure non-stable workpiece with a clamp, vice or other adequate holding device.
- ✓ Prevent unintentional starting. Ensure the switch is in the OFF position before inserting the battery pack, picking up or carrying the tool.
- ✓ Before making a cut ensure that all accessories and adjustment fixings are fully tightened.
- ✓ Only use router bits that are specifically designed for use with this machine.
- ✓ Maintain and use in accordance with these instructions.
- ✓ When not in use store in a safe, dry, childproof area.
- ✗ **DO NOT** over reach. Keep proper footing and balance at all times to enable better control of the tool in unexpected situations.
- ✗ **DO NOT** use the router where there are flammable liquids, solids or gases such as paint solvents, etc.
- ✗ **DO NOT** allow children to operate the router.
- ✗ **DO NOT** allow persons unfamiliar with the tool or with these instructions to operate the tool.
- ✗ **DO NOT** operate the router if any parts are missing as this may cause failure and/or personal injury.
- ✗ **DO NOT** leave the router operating unattended.
- ✗ **DO NOT** carry the router with your finger on the power switch.
- ✗ **DO NOT** use the router for a task it is not designed to perform.
- ✗ **DO NOT** use a bit which is damaged, cracked or distorted.
- ✗ **DO NOT** use the tool if the switch does not turn it on and off. The tool must be repaired first.
- ✗ **DO NOT** operate the router when you are tired, under the influence of alcohol, drugs or intoxicating medication.
- ✗ **DO NOT** get the router wet or use in damp or wet locations.
- ✗ **DO NOT** hold unsecured workpiece in your hand whilst cutting.
- ✗ **DO NOT** force the router to cut but allow it to operate at its normal working speed and feed rate.
- ✗ **DO NOT** reach under the workpiece whilst the bit is cutting. Keep hands away from the cutting area and do not attempt to remove dust / swarf.
- ✗ **DO NOT** fit or use a router bit that is intended to cut metal. Always ensure that the saw is fitted with the correct wood cutting bit.
- ✗ **DO NOT** substitute an abrasive wheel for the router bit.
- ✗ **DO NOT** allow the bit to come into contact with nails or other steel fixings used in old timber or existing timber structures. Inspect the workpiece before commencing cutting and remove any potential hazards.
- ✗ **DO NOT** start the router with the bit in contact with the workpiece. Allow the bit to run up to speed before proceeding to cut.
- ✓ Take note of and follow specific safety advice in Operation section of the manual.
- ✗ **DO NOT** force the power tool. Use the correct power tool for your application. The correct power tool will do the job better and safer at the rate for which it was designed.
- ✓ Remove the battery pack from the power tool before making any adjustments, changing accessories, or storing power tools. Such preventive safety measures reduce the risk of starting the power tool accidentally.
- ✓ Maintain tools and accessories. Check for misalignment or binding of the moving parts, breakage of parts and any other condition that may affect the tool's operation. If damaged, have the tool repaired by qualified engineers before use.
- ✓ Keep cutting tools sharp and clean. Properly maintained cutting tools with sharp cutting edges are less likely to bind and are easier to control.

- ✓ Keep handles and grasping surfaces dry, clean and free from oil and grease. Slippery handles and grasping surfaces do not allow for safe handling and control of the tool in unexpected situation.
- ✓ Hold the tool by insulated gripping surfaces only.

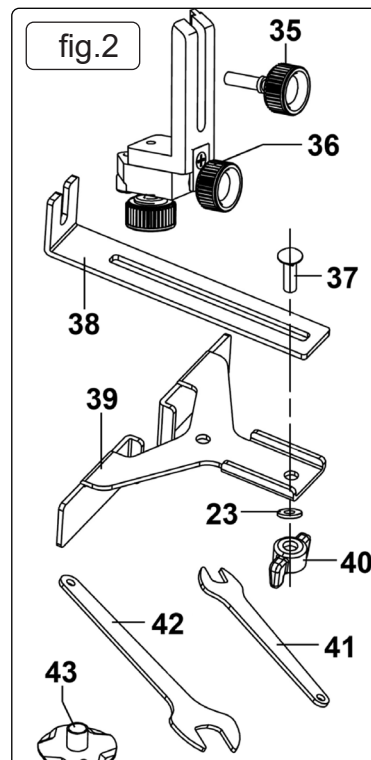
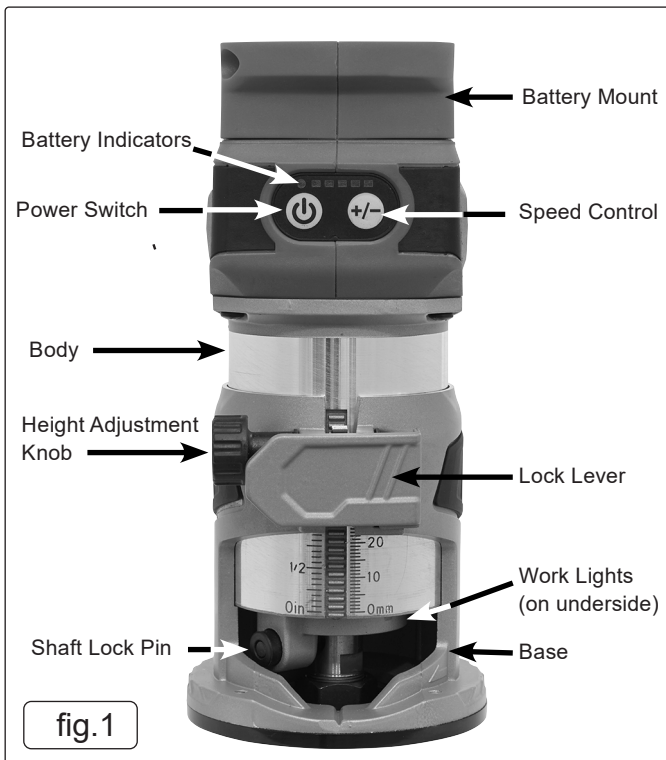
2. INTRODUCTION

Brushless powerful router suitable for edge forming, trimming, decorative work and slot cutting. Lightweight composite housing for comfortable use. Variable 5-speed control from 12000-28000rpm. Adjustable stroke length of 0-35mm. Supplied with router section, router guide, straight guide, spanners (x2) and 1/4" 6mm collet. Built-in dual LED worklights for increased visibility and accuracy. Plunge base available separately. Requires compatible 20V battery and mains charger, sold separately.

3. SPECIFICATION

Model no.: CP20VTR
Collect Capacity/Size: 1/4" or 6mm
Noise Power/Pressure: 89/78dB(A)
No-Load Speed: 12000-28000rpm
Optional Router Plunge Base: RPB01
Stroke Length: 0-35mm
Vibration/Uncertainty: 5.6/1.5m/s²
Battery:....CP20VBP2, CP20VBP4, CP20VBP6 (not supplied)

4. CONTENTS



Note:
See Parts list for item details.

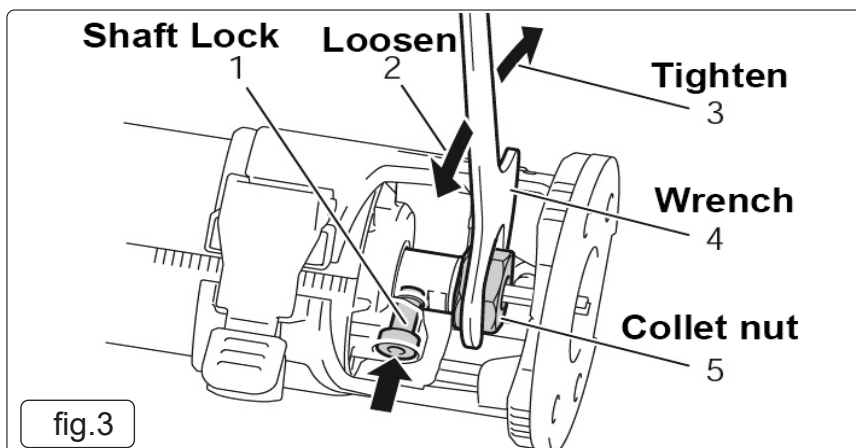
5. OPERATION

❑ **WARNING!** Always be sure that the tool is switched off and the battery is removed before carrying out any work on the tool.

5.1. INSTALLING OR REMOVING ROUTER BIT. (fig3)

NOTE: DO NOT tighten the collet nut without inserting the bit. The collet cone may break.

- 5.1.1. Insert the router bit all the way into the collet cone. Depress the shaft lock to engage spindle. Tighten the collet nut with the wrench or tighten the collet nut securely with the two wrenches. To remove the bit, follow the installation procedure in reverse.

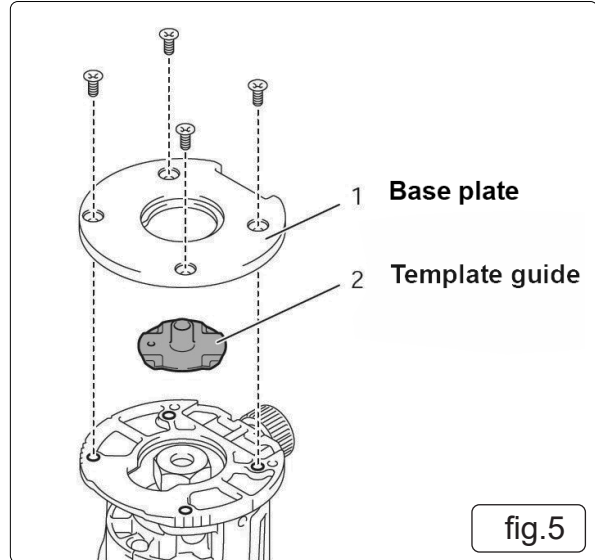
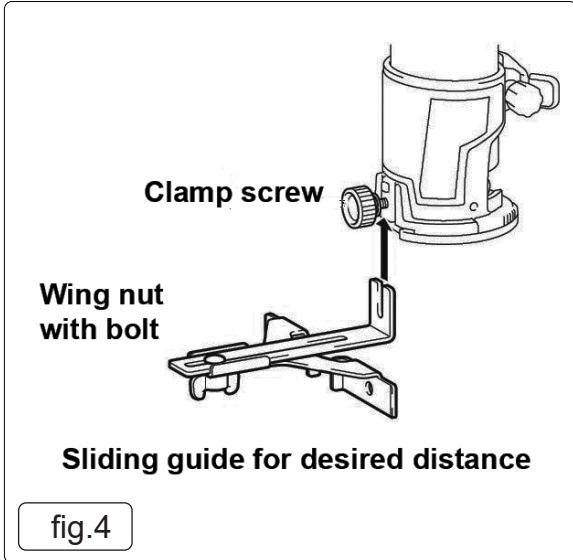


- 5.2. To turn on the tool, press the stop / start button (fig.1) To stop, push a second time.
- 5.3. To adjust cutting depth, open the lock lever, then move the tool base up or down by turning the adjusting screw and referring to the scale marking on the body. After adjustment, close the lock firmly. When loosening the lock lever you can also remove the base. (fig.1)
- 5.3.1. Set the tool base on the workpiece without the router bit making any contact. Turn the tool on and wait until the bit attains full speed. Move the tool forward over the workpiece surface. Keep the tool base flush while moving the tool. When cutting the edge, be sure to keep the workpiece surface on the left side of the router bit in the feed direction.

NOTE: Before cutting the actual workpiece, it is recommended to make a sample cut. The proper feed speed depends on the bit size, the kind of workpiece, and depth of cut. Moving the tool forward too fast may cause a poor quality of cut, or damage to the bit or motor. Moving the tool forward too slowly may burn the cut.

NOTE: Since excessive cutting may cause overload of the motor or difficulty in controlling the tool, the depth of cut should not be more than 3 mm (1/8") at a pass when cutting grooves. When you wish to cut grooves more than 3 mm (1/8") deep, make several passes with progressively deeper bit settings.

5.4. **ATTACHING THE STRAIGHT GUIDE. (fig.4)**



- 5.4.1. Assemble the straight guide with the bolt and the wing nut.
- 5.4.2. Attach the straight guide to the router base with the clamp screw.
- 5.4.3. Loosen the wing nut on the straight guide and adjust the distance between the bit and the straight guide. At the desired distance, tighten the wing nut.

5.5. **ATTACHING THE TEMPLATE GUIDE (fig.5)**

5.5.1. The template guide allows for repetitive cut with template patterns by using a template. Loosen the screws on the base plate, and then remove the base plate from the router base. Place the template guide on the base, and then reattach the base plate by tightening the screws.

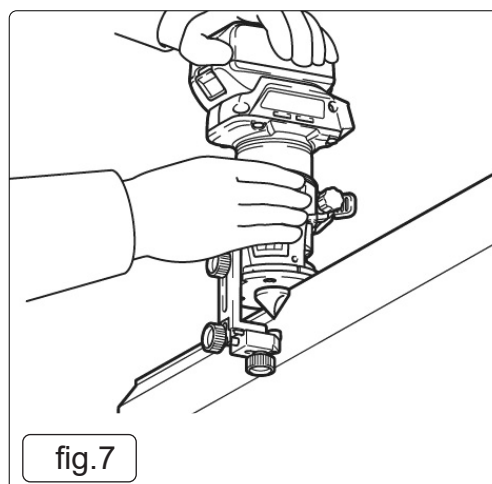
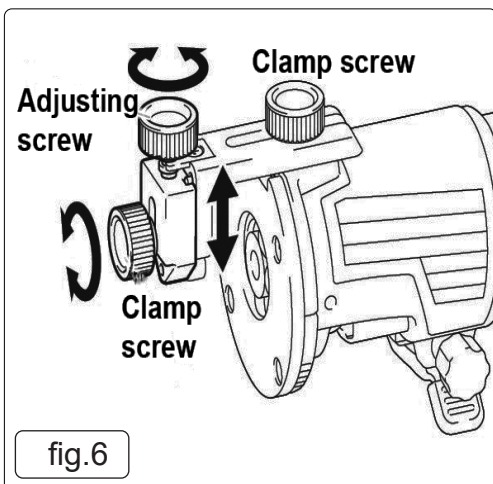
5.5.2. Place the tool on the template and move the tool with the template guide sliding along the side of the template.

NOTE: The actual cut size on the workpiece is slightly different from the template. The difference is the distance (X) between the router bit and the outside of the template guide. The distance (X) can be calculated by using the following equation: Distance (X) = (outside diameter of template guide - router bit diameter) / 2 (fig.6)

5.6. **ATTACHING THE ROUTER GUIDE (fig.6)**

NOTE: The router guide allows for trimming curved side like veneers for furniture by moving the guide roller along the side of the workpiece.

- 5.6.1. Loosen the clamp screw, then install the router guide on the router base, and then tighten the clamp screw.
- 5.6.2. Loosen the clamp screw and adjust the distance between the router bit and the router guide by turning the adjusting screw (1 mm (3/64") per turn). At the desired distance, tighten the clamp screw to secure the router guide.
- 5.6.3. Move the tool with the guide roller riding the side of the workpiece (fig.6, fig.7).



5.7. INSTALLING THE PLUNGE BASE

5.7.1. In order to fit the plunge base you will have to remove the Tool base first see (fig.1)

5.7.2. Open the lock lever of the router base, then insert the tool into the router base aligning the groove on the tool with the protrusion on the router base.



ROUTER PLUNGE BASE

(for use with Router Model No. CP20VTR)

MODEL NO: **RPB01**

IMPORTANT: PLEASE READ THESE INSTRUCTIONS CAREFULLY. NOTE THE SAFE OPERATIONAL REQUIREMENTS, WARNINGS & CAUTIONS. USE THE PRODUCT CORRECTLY AND WITH CARE FOR THE PURPOSE FOR WHICH IT IS INTENDED. FAILURE TO DO SO MAY CAUSE DAMAGE AND/OR PERSONAL INJURY AND WILL INVALIDATE THE WARRANTY. KEEP THESE INSTRUCTIONS SAFE FOR FUTURE USE.



Refer to instructions



Wear eye protection



Wear protective gloves



Wear safety footwear



Wear protective clothing



Wear ear protection



Wear dust mask

6. SAFETY

6.1. GENERAL SAFETY

- WARNING!** Ensure that Health & Safety, local authority and general workshop practice regulations are adhered to when using this equipment.
- WARNING!** Remove the battery from the router before changing bits, servicing or performing any maintenance.
- Maintain the router in good condition. Check moving parts alignment on a regular basis.
- Replace or repair damaged parts. *Use an authorised service agent and use recommended parts only. Unauthorised parts may be dangerous and will invalidate the warranty.*
- Keep the router clean and the bit sharp for best and safest performance.
- Wear approved safety eye protection (standard spectacles are not adequate) and dust mask.
- Maintain correct balance and footing. Ensure the floor is not slippery and wear non-slip shoes.
- Keep children and unauthorised persons away from the working area.
- Remove ill fitting clothing. Remove ties, watches, rings and other loose jewellery and contain long hair.
- Use in a suitable work area. Keep area clean, tidy and free from unrelated materials. Ensure there is adequate lighting.
- Remove any adjusting key or wrench before turning tool on.
- Evaluate your work area before using the router e.g. partitions may conceal electric cables or water piping.
- Secure non-stable workpiece with a clamp, vice or other adequate holding device.
- Prevent unintentional starting. Ensure the switch is in the OFF position before inserting the battery pack, picking up or carrying the tool.
- Before making a cut ensure that all accessories and adjustment fixings are fully tightened.
- Only use router bits that are specifically designed for use with this machine.
- Maintain and use in accordance with these instructions.
- When not in use store in a safe, dry, childproof area.
- DO NOT** over reach. Keep proper footing and balance at all times to enable better control of the tool in unexpected situations.
- DO NOT** use the router where there are flammable liquids, solids or gases such as paint solvents, etc.
- DO NOT** allow children to operate the router.
- DO NOT** allow persons unfamiliar with the tool or with these instructions to operate the tool.
- DO NOT** operate the router if any parts are missing as this may cause failure and/or personal injury.
- DO NOT** leave the router operating unattended.
- DO NOT** carry the router with your finger on the power switch.
- DO NOT** use the router for a task it is not designed to perform.
- DO NOT** use a bit which is damaged, cracked or distorted.
- DO NOT** use the tool if the switch does not turn it on and off. The tool must be repaired first.
- DO NOT** operate the router when you are tired, under the influence of alcohol, drugs or intoxicating medication.
- DO NOT** get the router wet or use in damp or wet locations.
- DO NOT** hold unsecured workpiece in your hand whilst cutting.
- DO NOT** force the router to cut but allow it to operate at its normal working speed.
- DO NOT** reach under the workpiece whilst the bit is cutting. Keep hands away from the cutting area and do not attempt to remove dust / swarf.
- DO NOT** fit or use a router bit that is intended to cut metal. Always ensure that the saw is fitted with the correct wood cutting bit.
- DO NOT** substitute an abrasive wheel for the router bit.
- DO NOT** allow the bit to come into contact with nails or other steel fixings used in old timber or existing timber structures. Inspect the workpiece before commencing cutting and remove any potential hazards.
- DO NOT** start the router with the bit in contact with the workpiece. Allow the bit to run up to speed before proceeding to cut.
- Take note of and follow specific safety advice in Operation section of the manual.
- DO NOT** force the power tool. Use the correct power tool for your application. The correct power tool will do the job better and safer at the rate for which it was designed.
- Remove the battery pack from the power tool before making any adjustments, changing accessories, or storing power tools. Such

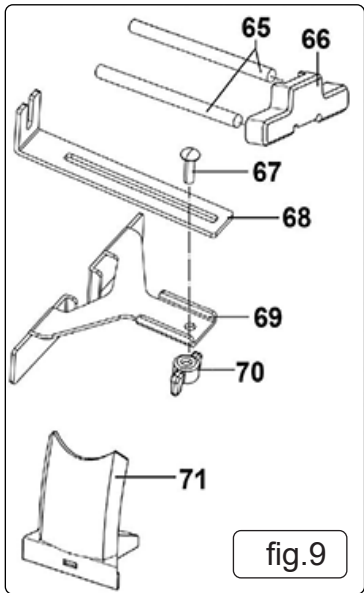
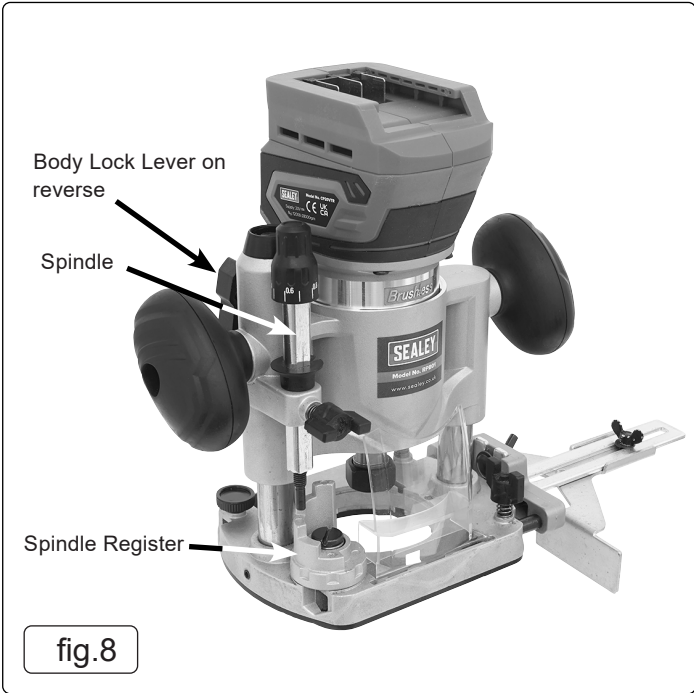
preventive safety measures reduce the risk of starting the power tool accidentally.

- ✓ Maintain tools and accessories. Check for misalignment or binding of the moving parts, breakage of parts and any other condition that may affect the tool's operation. If damaged, have the tool repaired by qualified engineers before use.
- ✓ Keep cutting tools sharp and clean. Properly maintained cutting tools with sharp cutting edges are less likely to bind and are easier to control.
- ✓ Keep handles and grasping surfaces dry, clean and free from oil and grease. Slippery handles and grasping surfaces do not allow for safe handling and control of the tool in unexpected situation.
- ✓ Hold the tool by insulated gripping surfaces only.

7. INTRODUCTION

Converts the CP20VTR Trimming Router into a plunge router. Sturdy construction thanks to the cast aluminium body and protective base sheet. Features precision depth adjustment as well as runners and clamps for the telescopic arms. Sturdy handles for comfort and control during use. Supplied with router guide, straight guide, two spanners and a safety guard.

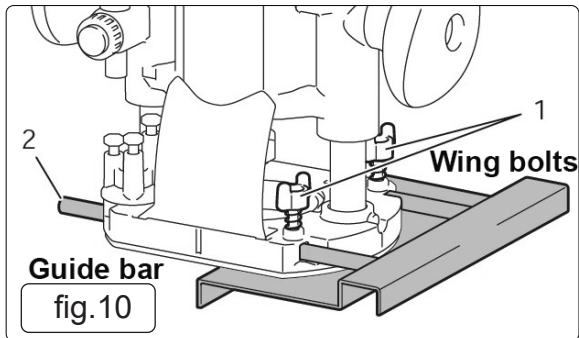
8. CONTENTS



Note:
See Parts list for item details.

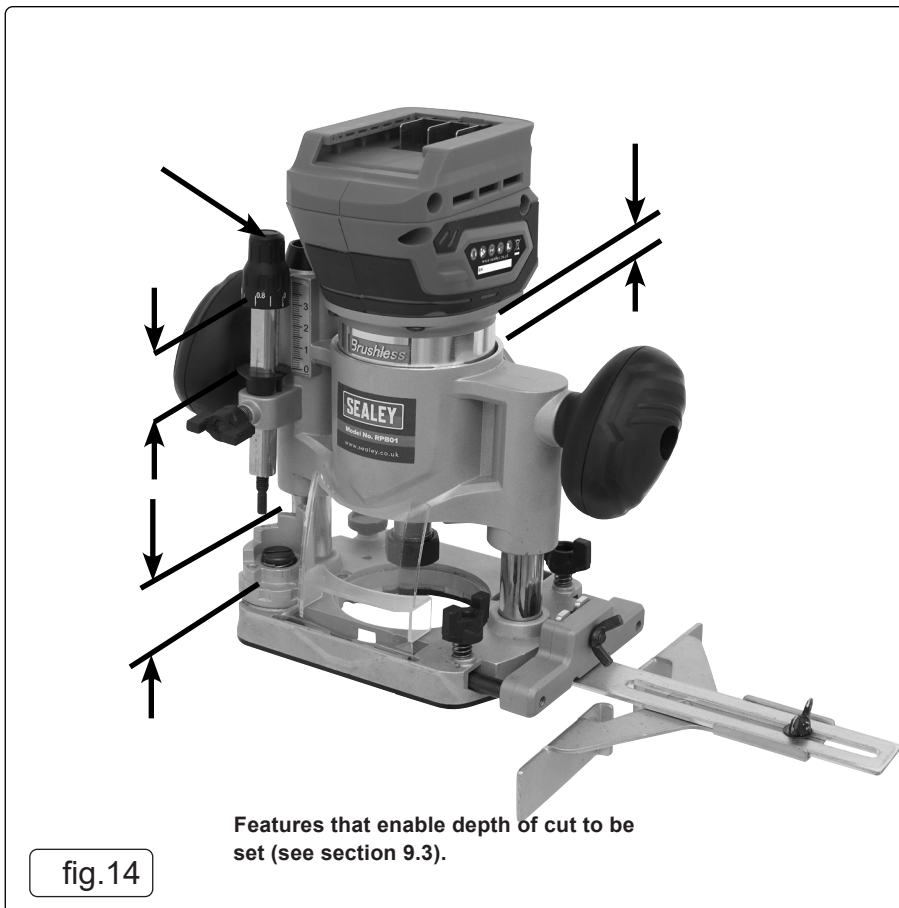
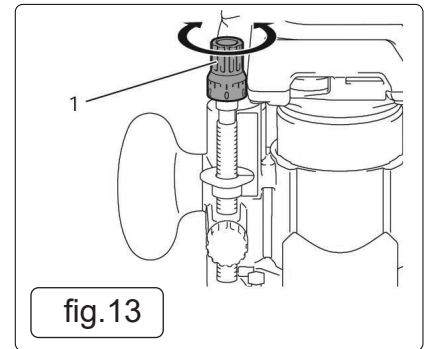
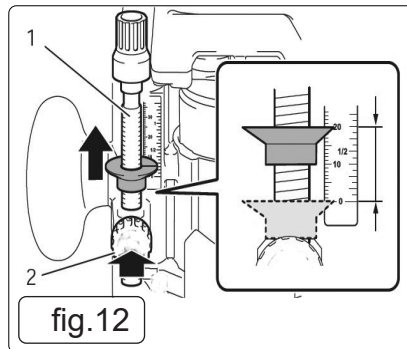
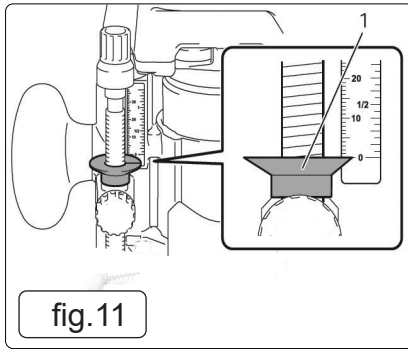
9. OPERATION

- 9.1. In order to fit the plunge base you will have to remove the Tool base first (CP20VTR - fig.1)
- 9.1.1. Open the lock lever of the base, then insert the tool into the router base aligning the groove on the tool with the protrusion on the router base.
- 9.1.2. Close the lock Lever. To remove the base, follow the installation procedure in reverse order.
- 9.2. **INSTALLING OR REMOVING THE PARALLEL RULER ON THE PLUNGE BASE. (fig.8 fig.9).**
- 9.2.1. Insert the guide bars into the holes in the plunge base, and then tighten the wing bolts. To remove the ruler, follow the installation procedure in reverse.



- 9.3. **ADJUSTING CUTTING DEPTH (fig.11, 12, 13,14).**
NOTE: It is recommended that the maximum depth of cut in one pass is 3mm. Use more passes at 3mm increments if greater depth required.
- 9.3.1. Fit router bit and use body lock lever (fig.8) to adjust body location within base to suit bit length and depth of cut required.
NOTE: If the body is not secured after closing the lock lever, tighten the hex nut of lever assembly and then close the lock lever.
- 9.3.2. Depress the Plunge Base until the bit touches the surface of the material to be worked and lock in position using the clamp lever.
- 9.3.3. Rotate castellated positioning block (item 7) such that the required height level is located underneath the adjustment screw spindle.
- 9.3.4. Lower adjustment spindle so that it touches the castellated block and slide the Indicator cup down to the zero position on the side scale.
- 9.3.5. Set vernier to 0 and raise spindle so that the Indicator cup matches the scale to the depth of cut required i.e 3 mm graduations and lock in position.

- 9.3.6. Rotate calibrated vernier dial to raise / lower the spindle stop in order to make fine depth adjustment (CCW to decrease, CW to increase).
- 9.3.7. Release the clamp and verify correct depth setting.



10. MAINTENANCE

- ☐ **WARNING!** Always ensure that the battery is removed before commencing any maintenance.
- 10.1. Check the safety guard is situated correctly and not broken.
- 10.2. To prolong the useful life of the router always clean it thoroughly after use and protect bits with a rust preventative.
 - × **DO NOT** clean with any solvents as they may attack the material. Clean the router with a dry cloth and remove sawdust from ventilation slots.

☐ **WARNING! – Risk of Hand Arm Vibration Injury.**

This tool may cause Hand Arm Vibration Syndrome if its use is not managed adequately. This tool is subject to the vibration testing section of the Machinery Directive 2006/42/EC. This tool is to be operated in accordance with these instructions.

Measured vibration emission value (a): 5.6 m/s²

Uncertainty value (k): 1.5 m/s²

Please note that the application of the tool to a sole specialist task may produce a different average vibration emission. We recommend that a specific evaluation of the vibration emission is conducted prior to commencing with a specialist task.

A health and safety assessment by the user (or employer) will need to be carried out to determine the suitable duration of use for each tool.

NB: Stated Vibration Emission values are type-test values and are intended to be typical.

Whilst in use, the actual value will vary considerably from and depend on many factors.

Such factors include; the operator, the task and the inserted tool or consumable.

NB: ensure that the length of leader hoses is sufficient to allow unrestricted use, as this also helps to reduce vibration.

The state of maintenance of the tool itself is also an important factor, a poorly maintained tool will also increase the risk of Hand Arm Vibration Syndrome.

Health surveillance.

We recommend a programme of health surveillance to detect early symptoms of vibration injury so that management procedures can be modified accordingly.

Personal protective equipment.

We are not aware of any personal protective equipment (PPE) that provides protection against vibration injury that may result from the uncontrolled use of this tool. We recommend a sufficient supply of clothing (including gloves) to enable the operator to remain warm and dry and maintain good blood circulation in fingers etc. Please note that the most effective protection is prevention, please refer to the Correct Use and Maintenance section in these instructions. Guidance relating to the management of hand arm vibration can be found on the HSC website www.hse.gov.uk - Hand-Arm Vibration at Work.



ENVIRONMENT PROTECTION

Recycle unwanted materials instead of disposing of them as waste. All tools, accessories and packaging should be sorted, taken to a recycling centre and disposed of in a manner which is compatible with the environment. When the product becomes completely unserviceable and requires disposal, drain any fluids (if applicable) into approved containers and dispose of the product and fluids according to local regulations.



WEEE REGULATIONS

Dispose of this product at the end of its working life in compliance with the EU Directive on Waste Electrical and Electronic Equipment (WEEE). When the product is no longer required, it must be disposed of in an environmentally protective way. Contact your local solid waste authority for recycling information.

Note: It is our policy to continually improve products and as such we reserve the right to alter data, specifications and component parts without prior notice.

Important: No Liability is accepted for incorrect use of this product.

Warranty: Guarantee is 12 months from purchase date, proof of which is required for any claim.

Sealey Group, Kempson Way, Suffolk Business Park, Bury St Edmunds, Suffolk. IP32 7AR

01284 757500

sales@sealey.co.uk

www.sealey.co.uk