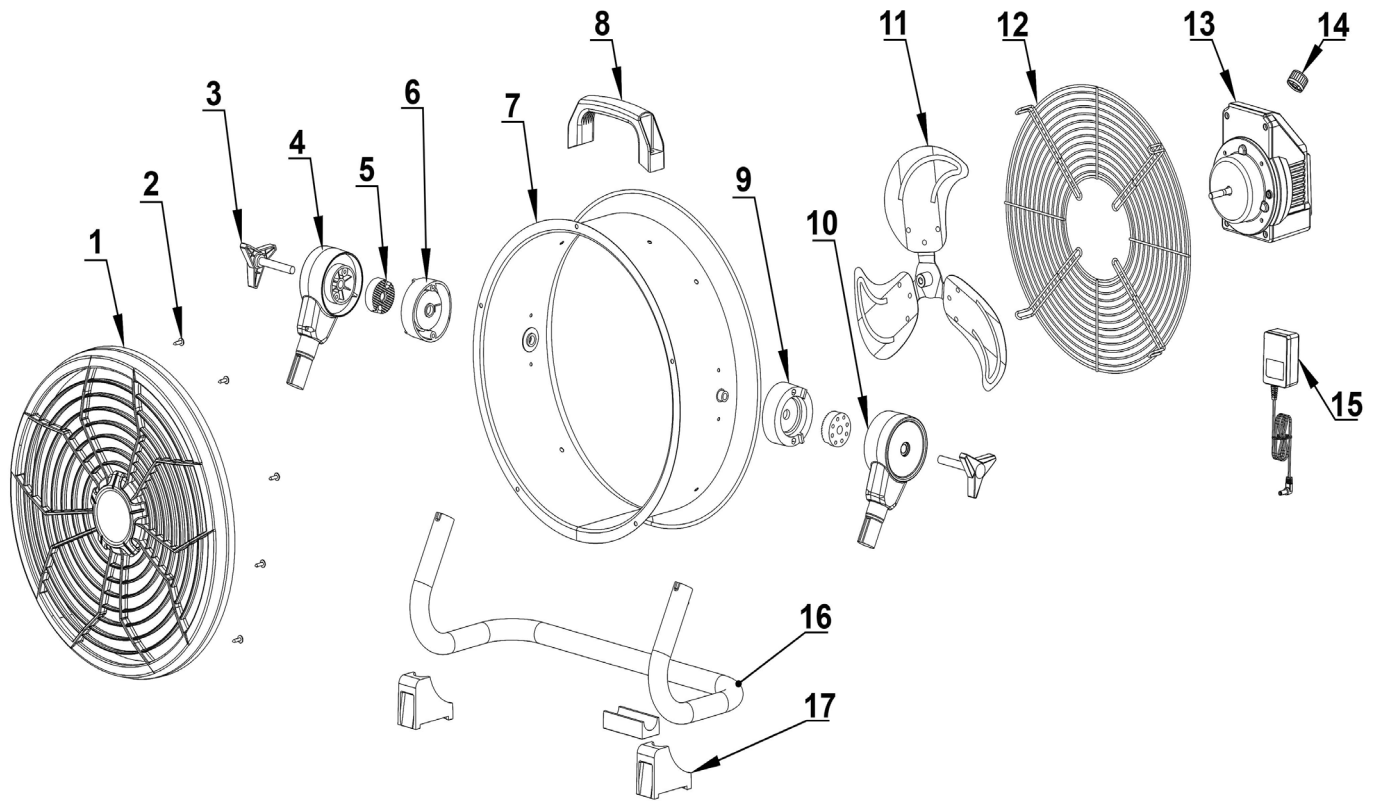


Parts Information:
2-in-1 Cordless/Corded High Velocity Drum Fan 16" 230V/20V
Model No: HVD16C



Item	Part No.	Description
1	HVD16C-01	Front Guard 14"
2	HVD16C-02	Screw for Front Guard
3	HVD16C-03	Adjustment Thread Screw
4	HVD16C-04	Left Support Arm Assembly
5	HVD16C-05	Support Ring
6	HVD16C-06	Left Cover
7	HVD16C-07	Drum
8	HVD16C-08	Top Handle for Drum
9	HVD16C-09	Right Cover

Item	Part No.	Description
10	HVD16C-10	Right Support Arm Assembly
11	HVD16C-11	Fan Blade 14"
12	HVD16C-12	Rear Guard 14"
13	HVD16C-13	Switch Hosuing Assembly
14	HVD16C-14	Switch Knob
15	CP20VMC	Battery Charger 20V Lithium-ion for SV20 Series
16	HVD16C-16	Base
17	HVD16C-17	Rubber Foot

NOTE: It is our policy to continually improve products and as such we reserve the right to alter data, specifications and component parts without prior notice. There may be alternative versions of this product, please contact us should you require this information.

IMPORTANT: No liability is accepted for incorrect use of product. Spare parts must be fitted by a competent person

WARRANTY: Guarantee is 12 months from purchase date, proof of which will be required for any claim.