



10.8V Ø85MM CORDLESS ANGLE GRINDER - BODY ONLY

MODEL NO: **CP108VAGBO**

Thank you for purchasing a Sealey product. Manufactured to a high standard, this product will, if used according to these instructions, and properly maintained, give you years of trouble free performance.

IMPORTANT: PLEASE READ THESE INSTRUCTIONS CAREFULLY. NOTE THE SAFE OPERATIONAL REQUIREMENTS, WARNINGS & CAUTIONS. USE THE PRODUCT CORRECTLY AND WITH CARE FOR THE PURPOSE FOR WHICH IT IS INTENDED. FAILURE TO DO SO MAY CAUSE DAMAGE AND/OR PERSONAL INJURY AND WILL INVALIDATE THE WARRANTY. KEEP THESE INSTRUCTIONS SAFE FOR FUTURE USE.



Refer to
instructions



Wear protective
gloves



Wear eye
protection



Wear ear
protection



Wear a mask



Not permitted for
face grinding.



Warning

1. SAFETY

- ✓ This power tool is intended to function as a grinder, sander, or cut-off tool. Read all safety warnings, instructions, illustrations and specifications provided with this power tool. Failure to follow all instructions listed below may result in electric shock, fire and/or serious injury.
- ✓ Operations for which the power tool was not designed may create a hazard and cause personal injury.
- * **DO NOT** use accessories which are not specifically designed and recommended by the tool manufacturer. Just because the accessory can be attached to your power tool, it does not assure safe operation.
- ✓ The rated speed of the accessory must be at least equal to the maximum speed marked on the power tool. Accessories running faster than their rated speed can break and fly apart.
- ✓ The outside diameter and the thickness of your accessory must be within the capacity rating of your power tool. Incorrectly sized accessories cannot be adequately guarded or controlled.
- ✓ The arbour size of wheels, flanges, backing pads or any other accessory must match the mounting hardware of the power tool will run out of balance, vibrate excessively.
- * **DO NOT** use a damaged accessory. Before each use inspect the accessory for damage or excessive wear. If power tool or accessory is dropped, inspect for damage or install an undamaged accessory. After inspecting and installing an accessory, position yourself and bystanders away from the plane of the rotating accessory and run the power tool at maximum no-load speed for one minute. Damaged accessories will normally break apart during this test time.
- ✓ Wear personal protective equipment. Depending on application, use face shield, safety goggles or safety glasses. As appropriate, wear dust mask, hearing protectors, gloves and workshop apron capable of stopping small abrasive or workpiece fragments. Prolonged exposure to high intensity noise may cause hearing loss.
- ✓ Keep bystanders a safe distance away from work area. Anyone entering the work area must wear personal protective equipment. Fragments of workpiece or of a broken accessory may fly away and cause injury beyond immediate area of operation.
- ✓ Hold the power tool by insulated gripping surfaces only, when performing an operation where the cutting accessory may contact hidden wiring. Cutting accessory contacting a "live" wire may make exposed metal parts of the power tool "live" and could give the operator an electric shock.
- ✓ Never lay the power tool down until the accessory has come to a complete stop. The spinning accessory may grab the surface and pull the power tool out of your control.
- * **DO NOT** run the power tool while carrying it at your side. Accidental contact with the spinning accessory could snag your clothing, pulling the accessory into your body.
- ✓ Regularly clean the power tool's air vents. The motor's fan will draw the dust inside the housing and excessive accumulation of powdered metal may cause electrical hazards.
- * **DO NOT** operate the power tool near flammable materials. Sparks could ignite these materials.
- * **DO NOT** use accessories that require liquid coolants. Using water or other liquid coolants may result in electrocution or shock.
- ✓ Properly fit the spindle of the power tool. Accessories with arbour holes that do not and may cause loss of control. Depending on direction of the wheel's movement at the point of pinching. Abrasive wheels may also break under these conditions. Kickback is the result of power tool misuse and/or incorrect operating procedures or conditions and can be avoided by taking proper precautions as given below.
- ✓ Maintain a firm grip on the power tool and position your body and arm to allow you to resist kickback forces. Always use auxiliary handle, if provided, for maximum control over kickback or torque reaction during start-up. The operator can control torque reactions or kickback forces, if proper precautions are taken.
- ✓ Never place your hand near the rotating accessory. Accessory may kickback over your hand.
- * **DO NOT** position your body in the area where power tool will move if kickback occurs. Kickback will propel the tool in direction opposite to the wheel's movement at the point of snagging.
- * **DO NOT** position your body in line with and behind the rotating wheel. When the wheel, at the point of operation, is moving away from your body, the possible kickback may propel the spinning wheel and the power tool directly at you.
- ✓ Use special care when working corners, sharp edges etc. Avoid bouncing and snagging the accessory. Corners, sharp edges
- ✓ The guard must be securely attached to the power tool and positioned for maximum safety, so the least amount of wheel is exposed towards the operator. The guard helps to protect the operator from broken wheel fragments, accidental contact with wheel and sparks that could ignite clothing.
- ✓ Wheels must be used only for recommended applications.
- * **DO NOT** grind with the side of cut-off wheel. Abrasive cut-off wheels are intended for peripheral grinding, side forces applied to these wheels may cause them to shatter.

- ✓ Always use undamaged wheel flanges that are of correct size and shape for your selected wheel. Proper wheel flanges support the wheel thus reducing the possibility of wheel breakage. Flanges for cut-off wheels may be different from grinding wheel flanges.
- ✗ **DO NOT** use worn down wheels from larger power tools. Wheel intended for larger power tool is not suitable for the higher speed of a smaller tool and may burst.
- ✗ **DO NOT** "jam" the cut-off wheel or apply excessive pressure. **DO NOT** attempt to make an excessive depth of cut. Overstressing the wheel increases the loading and susceptibility to twisting or binding of the wheel in the cut and the possibility of kickback or wheel breakage.
- ✓ When wheel is binding or when interrupting a cut for any reason, switch off the power tool and hold the power tool motionless until the wheel comes to a complete stop. Never attempt to remove the cut-off wheel from the cut while the wheel is in motion otherwise kickback may occur. Investigate and take corrective action to eliminate the cause of wheel binding.
- ✗ **DO NOT** restart the cutting operation in the workpiece. Let the wheel reach full speed and carefully re-enter the cut. The wheel may bind, walk up or kickback if the power tool is restarted in the workpiece.
- ✓ Support panels or any oversized workpiece to minimize the risk of wheel pinching and kickback. Large workpieces tend to sag under their own weight. Supports must be placed under the workpiece near the line of cut and near the edge of the workpiece on both sides of the wheel.
- ✓ Disconnect the battery from the grinder unit before changing accessories, servicing or performing any maintenance.
- ✓ Maintain the grinder and battery in good condition. Check moving parts alignment on a regular basis.
- ✓ Replace or repair damaged parts. Use an authorised service agent and recommended parts only. Unauthorised parts may be dangerous and will invalidate the warranty.
- ✓ Ensure the grinder is switched off before installing the battery.
- ✓ Keep the grinder battery and charger clean for best and safest performance.
- ✓ Remove ill fitting clothing. Remove ties, watches, rings and other loose jewellery and contain long hair.
- ✓ Evaluate your working area before using the grinder e.g. ceiling, floors and enclosures may contain electrical items or water piping.
- ✓ Ensure battery is correctly inserted into the grinder handle and latched in place before attempting to switch on.
- ✓ Secure loose workpieces with a clamp, vice or other adequate holding device.
- ✓ Avoid unintentional starting.
- ✓ Wear approved safety eye protection (standard spectacles are not adequate).
- ✓ Maintain correct balance and footing. Ensure the floor is not slippery and wear non-skid shoes.
- ✓ Be aware that this grinder does not need to be plugged into the mains power.
- ✓ Keep children and unauthorised persons away from the working area.
- ✗ **DO NOT** use the grinder where there are flammable liquids, solids or gases, such as paint solvents, etc.
- ✗ **DO NOT** allow children to operate the grinder.
- ✗ **DO NOT** operate the grinder if any parts are missing as this may cause failure or possible personal injury.
- ✗ **DO NOT** hold unsecured workpiece in your hand.
- ✗ **DO NOT** carry the grinder with your finger on the power trigger.
- ✗ **DO NOT** use the grinder for a task it is not designed to perform.
- ✗ **DO NOT** operate the grinder when you are tired or under the influence of alcohol, drugs or intoxicating medication.
- ✗ **DO NOT** get the grinder, battery or charger wet or use in damp or wet locations.
- ✓ Keep the grinder, battery and charger in a safe, dry, childproof area where the temperature will not exceed 104°F (40°C).

2. INTRODUCTION

Compact, lightweight cordless angle grinder - body only. Comfortable housing with soft grip to help reduce vibration. Variable speed with six settings. Blade guard that can be adjusted and spindle locking button. LED Battery light indicator. Supplied with 1 x hex key for easy blade switching. Grinding/cutting blade not included. Requires compatible 10.8V 2Ah or 4Ah battery and mains charger, sold separately.

3. SPECIFICATION

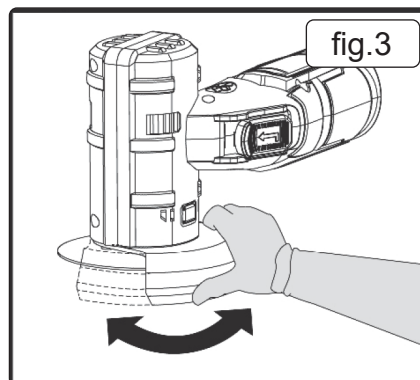
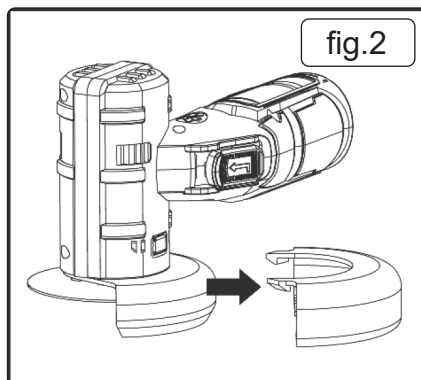
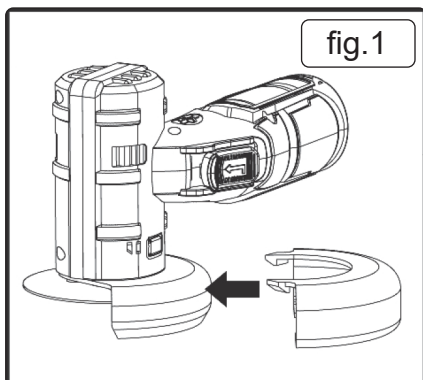
MODEL NO:.....CP108VAGBO
 Battery: CP108VBP 2Ah Battery (not included)
 CP108VBP4 4Ah Battery (not included)
 Disc Size:..... Ø85mm
 Free Speed: 12000rpm/19500rpm
 Noise Power/Pressure: 87/76dB(A)
 Spindle Size:..... M5
 Vibration/Uncertainty:..... 0.732/1.5m/s²

4. ASSEMBLY

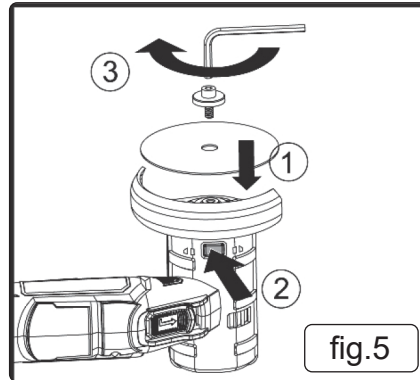
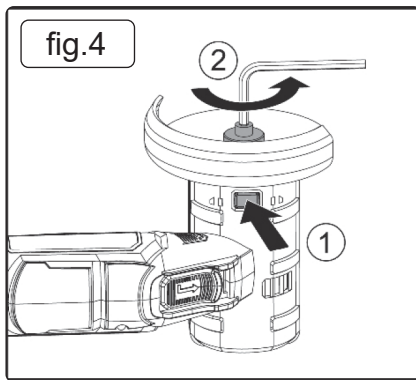
4.1. ASSEMBLY AND ADJUSTING

- **WARNING!** Before undertaking any work on the machine itself, remove the battery pack.

4.2. MOUNTING THE WHEEL GUARD



- ❑ **WARNING!** For work with grinding or cutting discs, the protection guard must always be mounted. Use the correct type of disc for your application.
- 4.2.1. Wheel guard for cutting (See Fig.1)
Fix the outer guard onto the inner guard until it engages. The inner guard and outer guard assembled together and make up a wheel guard for cutting.
- 4.2.2. Wheel guard for grinding (See Fig.2)
Simply remove the outer guard. The inner guard is used as wheel guard for grinding.
- 4.2.3. Adjusting the wheel guard (See Fig.3)
Turn the wheel guard to the desired position until it engages. No tool is required for this.
- 4.3. **REPLACING THE CUTTING DISC/GRINDING DISC**



- ❑ **WARNING! DO NOT** touch grinding and cutting discs before they have cooled down. The discs can become very hot while working.
- 4.3.1. Clean the spindle and all parts to be mounted.
- 4.3.2. Press and hold the spindle lock button to lock the spindle. You may need to rotate the spindle using the provided hex key if the spindle lock button cannot be pressed down to the end.
- 4.3.3. Loosen the clamping bolt with washer by turning it anti-clockwise using the provided hex key.
- 4.3.4. Remove the clamping bolt with washer and the disc.
 - ❑ **WARNING!** Actuate the spindle lock button when the grinder spindle is at a standstill. Otherwise, the machine may become damaged.
 - ❑ **WARNING!** Pay attention to the dimensions of the grinding/ cutting discs. The mounting hole diameter must fit the spindle without play. **DO NOT** use reducers or adapters
- 4.3.5. Place the disc on the tool spindle. Ensure it is correctly located.
- 4.3.6. Insert the clamping bolt with washer through the centre of the disc and onto the spindle.
- 4.3.7. Press and hold the spindle lock button to lock the spindle. You may need to rotate the spindle using the provided hex key if the spindle lock button cannot be pressed down to the end.
- 4.3.8. Tighten the clamping bolt with washer by turning it clockwise using the provided hex key. Make sure that the cutting disc/grinding disc is assembled firmly.
 - ❑ **WARNING!** After mounting the grinding/ Cutting disc and before switching on, check that the disc is correctly mounted and that it can turn freely. Make sure that the disc does not graze against the wheel guard or other parts.
- 4.4. **APPROVED GRINDING/CUTTING DISC**
The permissible speed [min-1] or the circumferential speed [m/s] of the grinding tools used must at least match the values given in the specification table.

5. OPERATION

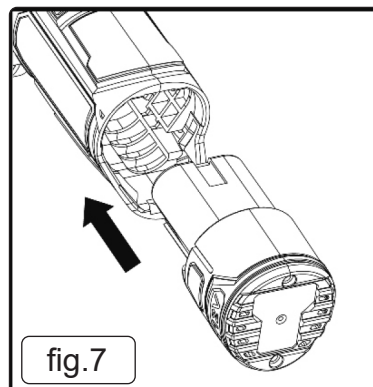
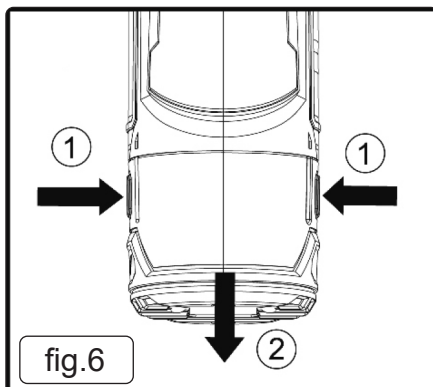
5.1. BEFORE OPERATION

5.1.1. CHARGING THE BATTERY

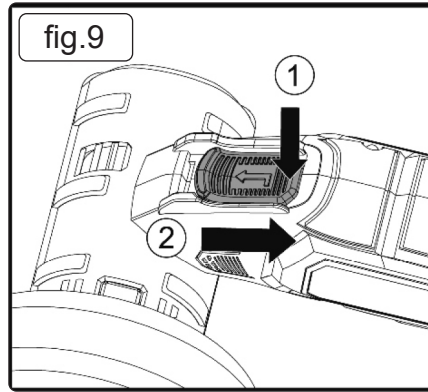
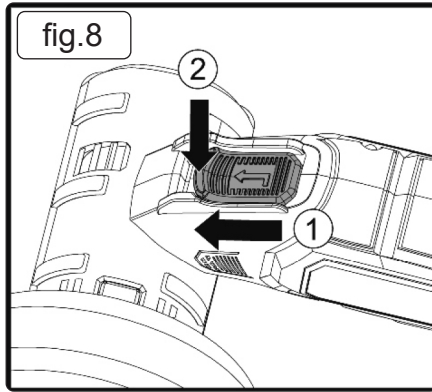
- ✗ **DO NOT** use any charger other than that specifically provided for use with the equipment.
- ✓ If the battery pack is very hot you must remove your battery pack from the charger and allow time for the battery to cool down before recharging.

5.2. REMOVING OR INSTALLING THE BATTERY PACK (SEE FIG.6&7)

- ❑ **WARNING!** Before inserting the battery pack, make sure that the on/off switch is in OFF position.
Depress the battery pack release button to release and slide the battery pack out from your tool. After recharge, slide it back into your tool. A simple push and slight pressure will be sufficient.



5.3. SWITCH ON/OFF



5.3.1. SWITCHING ON (SEE FIG.8)

Slide buttons in the order described in fig.8. Move the on/off switch forward to the tool head and press the front part of the on/off switch down until it latches. Then you can release the on/off switch. Your tool is now locked on for continuous use.

5.3.2. SWITCHING OFF (SEE FIG.9)

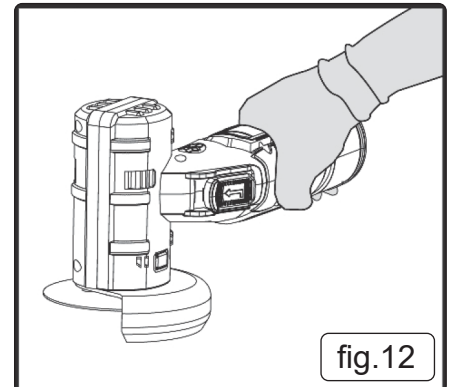
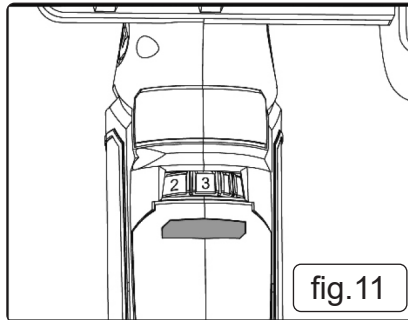
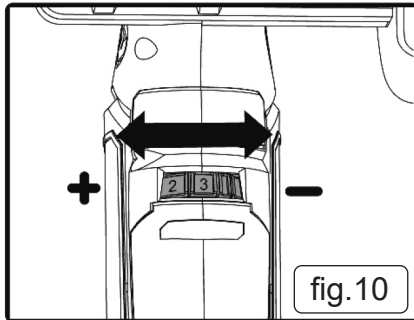
Slide buttons in the order described in fig.9. Push down the back of the on/off switch and move the on/off switch backwards to the rear of the tool to switch off.

5.4. SPEED ADJUSTMENT (SEE FIG.10)

The tool has a variable speed control for precise speed adjustment. Set it to the required speed for operation. The required speed is dependent on the material and is to be determined by a practical trial.

5.5. BATTERY CAPACITY INDICATOR (SEE FIG.11)

Your tool is equipped with battery capacity indicator. When the tool is on, the battery capacity indicator will light up to show the amount of charge left in the battery.

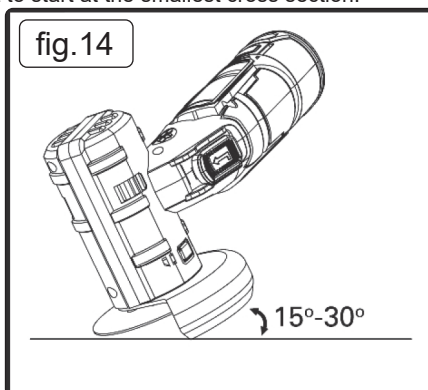
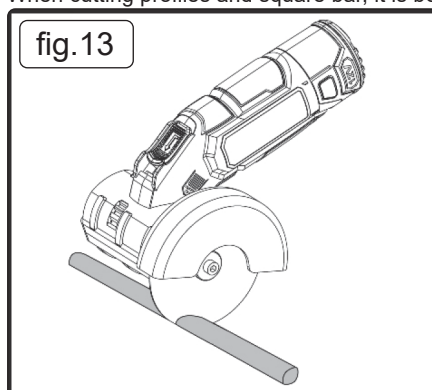


5.6. HAND GRIP AREA (SEE FIG.12)

Hold the tool firmly when in operation as shown in Fig.12.

5.7. CUTTING (SEE FIG.13)

- **WARNING!** For cutting metal, always work with the wheel guard for cutting. When cutting, work with moderate feed, adapted to the material being cut. **DO NOT** exert pressure onto the cutting disc, tilt or oscillate the machine.
- × **DO NOT** reduce the speed of running down cutting discs by applying sideward pressure. The machine must always work in an up-grinding motion. Otherwise, the danger exists of it being pushed uncontrolled out of the cut. When cutting profiles and square bar, it is best to start at the smallest cross section.



5.8. ROUGH GRINDING (SEE FIG.14)

- **WARNING!** Never use a cutting disc for rough grinding applications. Serious injury to yourself and others can be caused by using the tool for wrong applications.
- **WARNING! DO NOT** switch the grinder on whilst the disc is in contact with the workpiece. Allow the disc to reach full speed before starting to grind.
- ✓ Always position the guard so that as much of the exposed disc as possible is pointing away from you.
- ✓ Be prepared for a stream of sparks when the disc touches the metal.
- ✓ For best tool control, material removal and minimum overloading, maintain an angle between the disc and work surface of approximately 15°-30° when grinding.

- ✓ Use caution when working into corners as contact with the intersecting surface may cause the grinder to jump or twist.
- ✓ When grinding is complete allow the workpiece to cool.

6. MAINTENANCE

- 6.1. Remove the battery before carrying out any adjustment, servicing or maintenance.
- 6.2. There are no user serviceable parts in your power tool. Never use water or chemical cleaners to clean your power tool. Wipe clean with a dry cloth. Always store your power tool in a dry place. Keep the motor ventilation slots clean. Keep all working controls free of dust. Occasionally you may see sparks through the ventilation slots. This is normal and will not damage your power tool.

7. TROUBLESHOOTING

- 7.1. If your wheel wobbles or vibrates, check that clamping bolt is tight; check that the wheel is correctly located on the spindle.
- 7.2. If there is any evidence that the wheel is damaged **DO NOT** use as the damaged wheel may disintegrate, remove it and replace with a new wheel. Dispose of old wheels sensibly.
- 7.3. If working on aluminium or a similar soft alloy, the wheel will soon become clogged and will not grind effectively.
- 7.4. When overloaded, the motor comes to a stop. Relieve the load on the machine immediately and allow cooling for approx. 30 seconds at the highest no-load speed.
- 7.5. When using as intended for the power tool cannot be subject to overload. When the load is too high or the allowable battery temperature of 75 °C is exceeded, the electronic control switches off the power tool until the temperature is in the optimum temperature range again.
- 7.6. If machine is blocked, please turn it off and turn it on again after 1 ~2 seconds.

WARNING! – RISK OF HAND ARM VIBRATION INJURY.

This tool may cause Hand Arm Vibration Syndrome if its use is not managed adequately.

This tool is subject to the vibration testing section of the Machinery Directive 2006/42/EC.

This tool is to be operated in accordance with these instructions.

This tool has been tested in accordance with: EN ISO 28927-1:2009 & BS EN ISO 15744:2008.

Declaration and verification of Vibration Emission figures are in accordance with EN 12096:1997

Measured vibration emission value (a):0.732 m/s²

Uncertainty value(k):.....1.50 m/s²

Please note that the application of the tool to a sole specialist task may produce a different average vibration emission. We recommend that a specific evaluation of the vibration emission is conducted prior to commencing with a specialist task.

A health and safety assessment by the user (or employer) will need to be carried out to determine the suitable duration of use for each tool.

NB: Stated Vibration Emission values are type-test values and are intended to be typical.

Whilst in use, the actual value will vary considerably from and depend on many factors.

Such factors include; the operator, the task and the inserted tool or consumable.

NB: ensure that the length of leader hoses is sufficient to allow unrestricted use, as this also helps to reduce vibration.

The state of maintenance of the tool itself is also an important factor, a poorly maintained tool will also increase the risk of Hand Arm Vibration Syndrome.

Health surveillance.

We recommend a programme of health surveillance to detect early symptoms of vibration injury so that management procedures can be modified accordingly.

Personal protective equipment.

We are not aware of any personal protective equipment (PPE) that provides protection against vibration injury that may result from the uncontrolled use of this tool. We recommend a sufficient supply of clothing (including gloves) to enable the operator to remain warm and dry and maintain good blood circulation in fingers etc. Please note that the most effective protection is prevention, please refer to the Correct Use and Maintenance section in these instructions. Guidance relating to the management of hand arm vibration can be found on the HSC website www.hse.gov.uk - Hand-Arm Vibration at Work.



ENVIRONMENT PROTECTION

Recycle unwanted materials instead of disposing of them as waste. All tools, accessories and packaging should be sorted, taken to a recycling centre and disposed of in a manner which is compatible with the environment. When the product becomes completely unserviceable and requires disposal, drain any fluids (if applicable) into approved containers and dispose of the product and fluids according to local regulations.



WEEE REGULATIONS

Dispose of this product at the end of its working life in compliance with the EU Directive on Waste Electrical and Electronic Equipment (WEEE). When the product is no longer required, it must be disposed of in an environmentally protective way. Contact your local solid waste authority for recycling information.

Note: It is our policy to continually improve products and as such we reserve the right to alter data, specifications and component parts without prior notice.

Important: No Liability is accepted for incorrect use of this product.

Warranty: Guarantee is 12 months from purchase date, proof of which is required for any claim.

Sealey Group, Kempson Way, Suffolk Business Park, Bury St Edmunds, Suffolk. IP32 7AR



01284 757500



01284 703534



sales@sealey.co.uk



www.sealey.co.uk