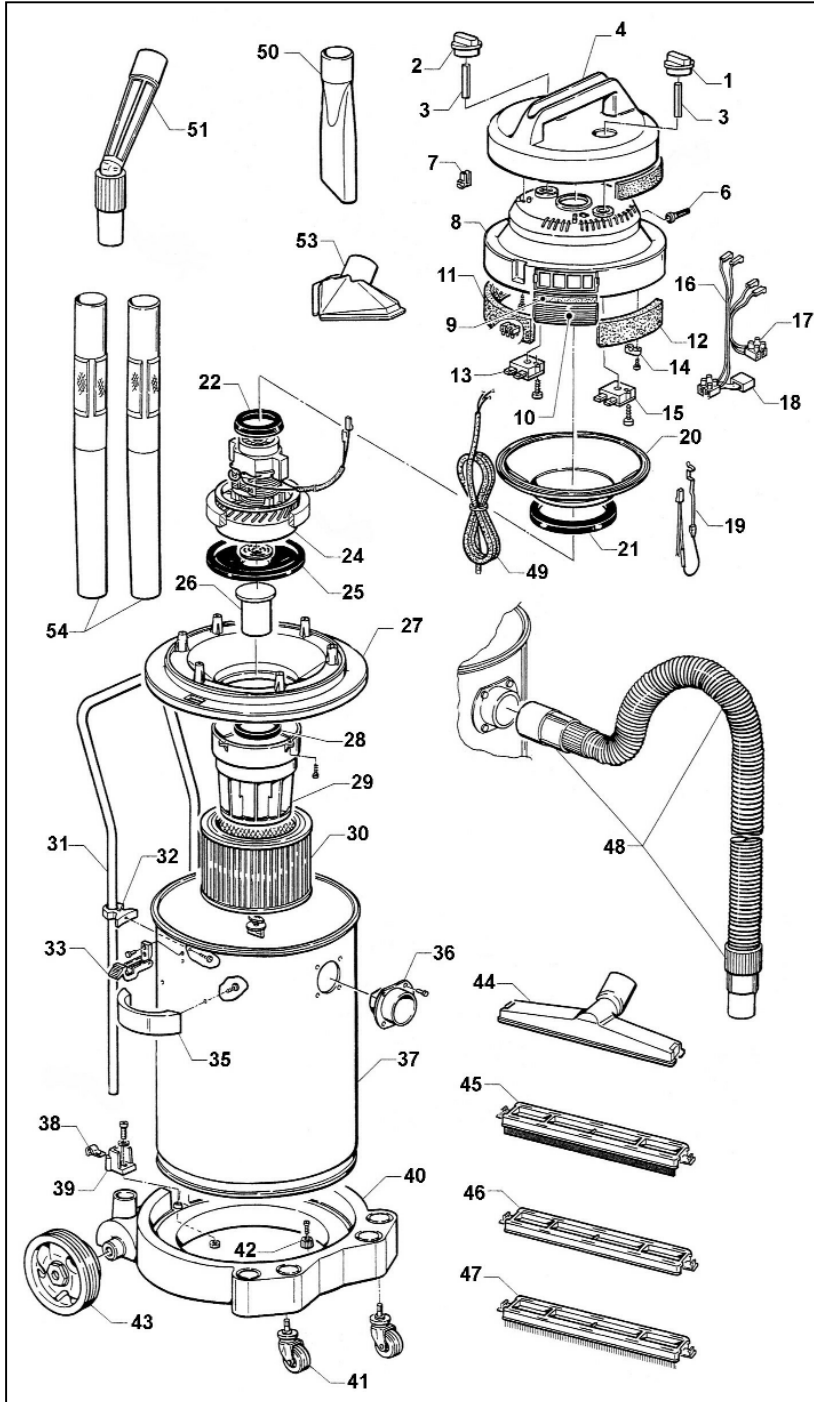


Issue No: 1
Date: 050104



Item	Part No.	Description
1	186/50174B8C	Knob, Switch On/Off
2	186/50175B8C	Knob, Switch 2-speed
3	186/50172BON	Switch Shank
4	186/51188BOU	Motor Cover, Upper
6	186/50036ZOU	Cable Sleeve
7	186/50182B8N	Cable Clip
8	186/50181BOC	Motor Cover, Middle
9	186/83021B8X	Filter, Air Vent
10	186/50170B8A	Outlet Air Grill
11	186/83023B8X	Silencer, Motor Cover, Middle
12	186/83022B8X	Silencer, Motor Cover, Middle
13	186/80702B8X	Switch, 2-speed
14	186/50078ZOX	Cable Grip
15	186/80701B8X	Switch, On/Off
16	186/80099B8V	Switch Connections
17	186/80030ZOI	Cable Block
18	186/80025B8X	Condenser
19	186/30070B5X	Anti-static Kit
20	186/50104B9V	Diaphragm
21	186/70055BON	Gasket, Motor, Middle
22	186/70060B8N	Gasket, Motor, Upper
24	186/20025BOX	Motor 1200W
25	186/70061BAN	Gasket, Motor, Lower
26	186/50077BOV	Float
27	186/50064B8U	Motor Cover, Lower
28	186/70045B5N	Rubber Bearing
29	186/50102B5N	Float Cage
30	VAC92/250/DL	Filter Cartridge
31	186/40024B5X	Handle
32	186/50114BOU	Bracket, Handle Fixing
33	186/01016BOU	Bin Clip
35	186/50116B5U	Handle, Bin Side
36	186/50079BOU	Hose Inlet
37	186/10041B5M	Bin, Stainless Steel, 50 litres
38	186/30064B5X	Spring
40	186/01003B5U	Trolley Complete
44	186/60277B0N	Frame For Combined Brush
45	186/60278B0N	Brush For Liquids
46	186/60280B0N	Brush for Carpet
47	186-60279B0N	Brush For Floors
48	186/01316BON	Hose, Complete, 2.0m x 45mm
50	186/50080BON	Crevice Tool
51	186/50093BOA	Elbow Joint, Hose
53	186/50089BOA	Triangular Nozzle
54	186/50091BON	Extension Tube
55	186-01003B5U	Trolley, Complete

(includes item Nos 38, 39, 40, 41, 42 & 43)

Dust Collection Bags Packet of 10	186/83015B51
Dust Collection Bags Packet of 6	186/83142BOK
Foam Filter	186/83035BHB
Bin Lid Gasket	186/70017B5N