



2.5 X 4.5 X 2.5M FOLDABLE STEEL GARAGE EXTENSION

MODEL NO: **FGE01**

Thank you for purchasing a Sealey product. Manufactured to a high standard, this product will, if used according to these instructions, and properly maintained, give you years of trouble free performance.

IMPORTANT: PLEASE READ THESE INSTRUCTIONS CAREFULLY. NOTE THE SAFE OPERATIONAL REQUIREMENTS, WARNINGS & CAUTIONS. USE THE PRODUCT CORRECTLY AND WITH CARE FOR THE PURPOSE FOR WHICH IT IS INTENDED. FAILURE TO DO SO MAY CAUSE DAMAGE AND/OR PERSONAL INJURY AND WILL INVALIDATE THE WARRANTY. KEEP THESE INSTRUCTIONS SAFE FOR FUTURE USE.



Refer to instructions



Wear protective gloves



Wear safety footwear



Wear eye protection

1. SAFETY

- ✓ Read all safety instructions to reduce the risk of injury or death.
- ✓ This is a temporary structure and is not recommended as a permanent structure.
- ✓ Choose your shelter's location carefully. Check for overhead utility lines, branches, etc. **DO NOT** install near roofs or other structures that may shed snow, ice or excessive run-off onto your shelter. Keep away from electrical wires!
- ✓ Install your shelter on a level surface.
- ✓ Check municipal by-laws prior to setting up the product.
- ✓ Have an overview of all parts before attempting installation. Make sure all components are available.
- ✗ **DO NOT** use this product in environments for which it is not intended (i.e. extreme cold, high winds, extreme heat, heavy rainfall, etc).
- ✓ Always wear safety glasses when assembling this product. Wear gloves when working with tubing to prevent cuts or abrasions.
- ✓ Anchors must be used with all shelters. Covers should **NOT** be installed on any product until it has been properly anchored to the ground.
- ✓ Proper anchoring and keeping cover tight and free of snow and debris, is the responsibility of the consumer.
- ✓ Damages caused by improper anchoring are not covered under warranty.
- ✓ Keep all flame and heat sources away from the shelter fabric. The fabric will burn if left in continuous contact with a flame source.
- ✗ **DO NOT** use open flames or cooking or heating devices inside or in close proximity to the product, including all types of stoves, gas heaters, gas lanterns, citronella torches, mosquito coils, etc.
- ✗ **DO NOT** cook, smoke, refuel or use any open flame devices in or around the shelter.
- ✗ **DO NOT** store flammable liquids (gasoline, kerosene, propane, etc.) in the shelter.
- ✗ **DO NOT** operate gas powered vehicles/equipment in or around the shelter.
- ✓ Keep open flames a safe distance away from the shelter.
- ✗ **DO NOT** use hard-edged tools or instruments, such as rakes or shovels, to remove snow. These can cause punctures to the cover.
- ✗ **DO NOT** start the engine of any vehicle or machine inside a closed shelter. Ensure that there is adequate ventilation for starting engines and for any work with paints, cleaners, etc.
- ✓ This shelter is **NOT** designed to support heavy snow or ice loads. Snow or ice accumulation may cause your shelter to collapse. To avoid overload, brush snow and ice off the roof top with a broom or mop.
- ✓ To prevent collapse, damage to property, personal injury and/or death, **NEVER** clear the roof of snow or debris from inside the shelter.
- ✓ Keep children away during assembly. This product contains small parts which can be swallowed by children.
- ✗ **DO NOT** attempt to assemble the product if any parts are missing.
- ✓ At least 4 people are needed to complete the assembly as some of the steps require heavy lifting.
- ☐ **WARNING! DO NOT** leave the shed unattended during assembly. Otherwise, personal injury or damage to the shed may occur





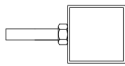
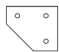
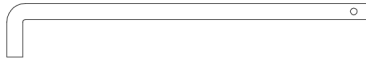


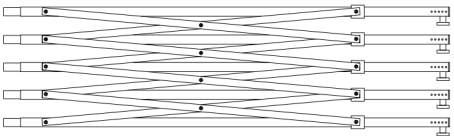
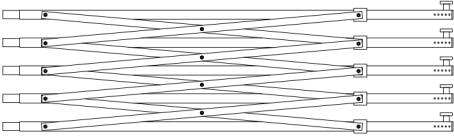


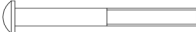





2. INTRODUCTION

Foldable garage extension, perfect for allowing temporary use of a driveway as a garage. Supplied with a powder coated steel frame. 195g/m2 PE Tarp with UV protection and completely waterproof.

3. SPECIFICATION

Model No:.....**FGE01**
 Door Size: 2500mm (W) x 2000mm (H)
 Material:195g/m2 PE Tarp and Steel
 Overall Size (W x D x H):2.5 x 4.5 x 2.5m

4. CONTENTS

Description	Drawing	Qty.
Peak Center Tube		5
Roof tube		10
Horizontal Brace		5
Horizontal Brace with Male End		5
Sliding tube		5
Conneting Plate		20
Stake		10
Anchorage clip		4
Axle tube		4
The riser component-R		1
The riser component-L		1
Pipe jacking components		4
M6 x55 Bolt		35
M8 x70 Bolt		5
M6 Nut		36
M8 Nut		11
Expansion bolt		4
Universal wheel		10
cover		1

5. ASSEMBLY

- 5.1. Place all parts from the packaging box in a cleared area and arrange them on the ground.
- 5.2. Remove all packaging materials and place them back in the box.
 * DO NOT dispose of the packaging materials until assembly is complete.
- 5.3. Check for completeness and transport damages.
 WARNING! DO NOT place the product under trees from which hard fruit such as apples, walnuts or heavy pine cones, etc., may fall. The shed's cover only protects against normal leaves and light debris, whereas large branches or other falling items may puncture or tear the cover material.

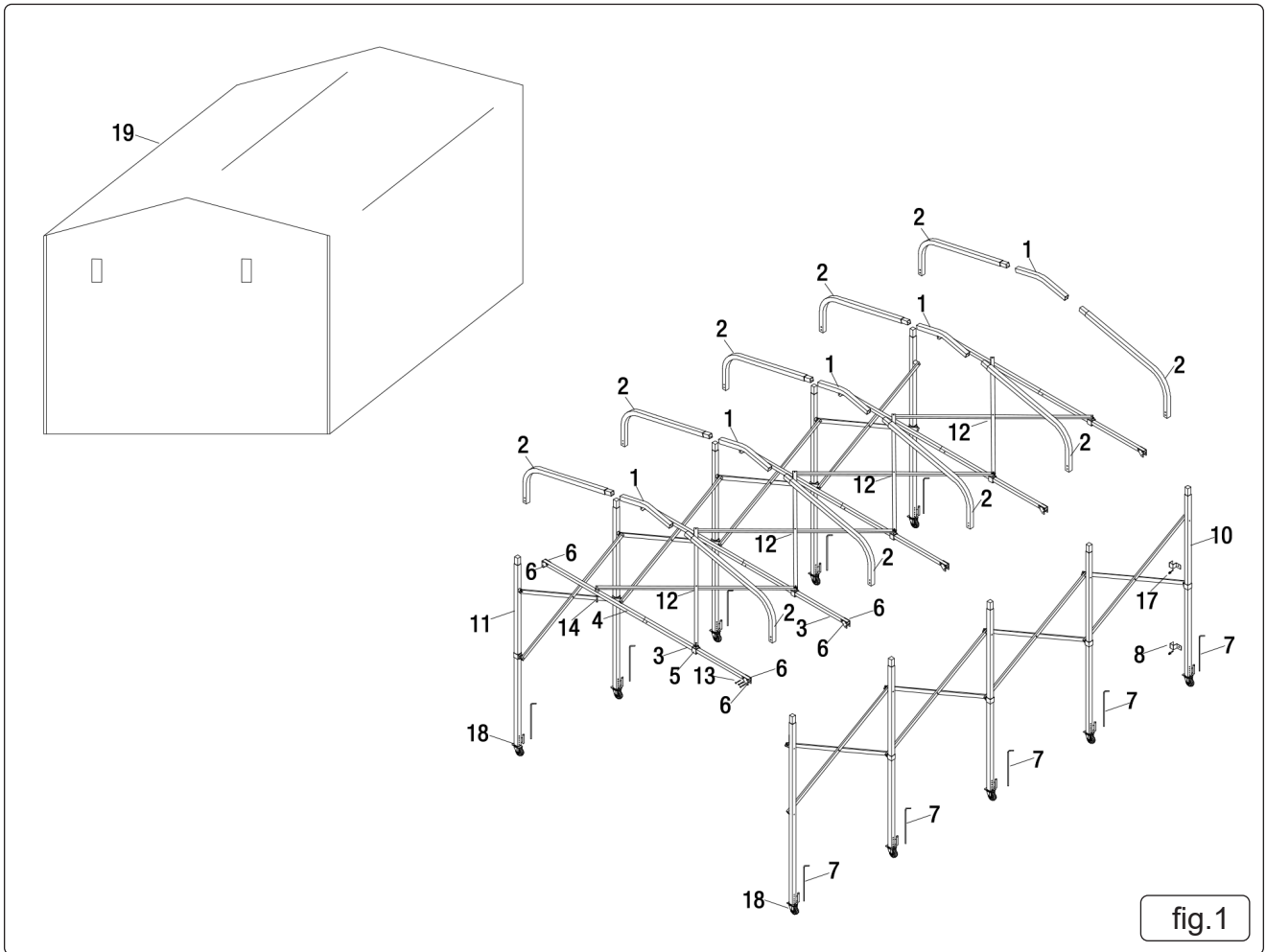


fig.1

5.4. STEP 1 (FIG 2)

- 5.4.1. Take the riser sections out of the box as shown below.
- 5.4.2. Screw all the casters (fig.2.18) to the bottoms of the legs as per the below diagram.

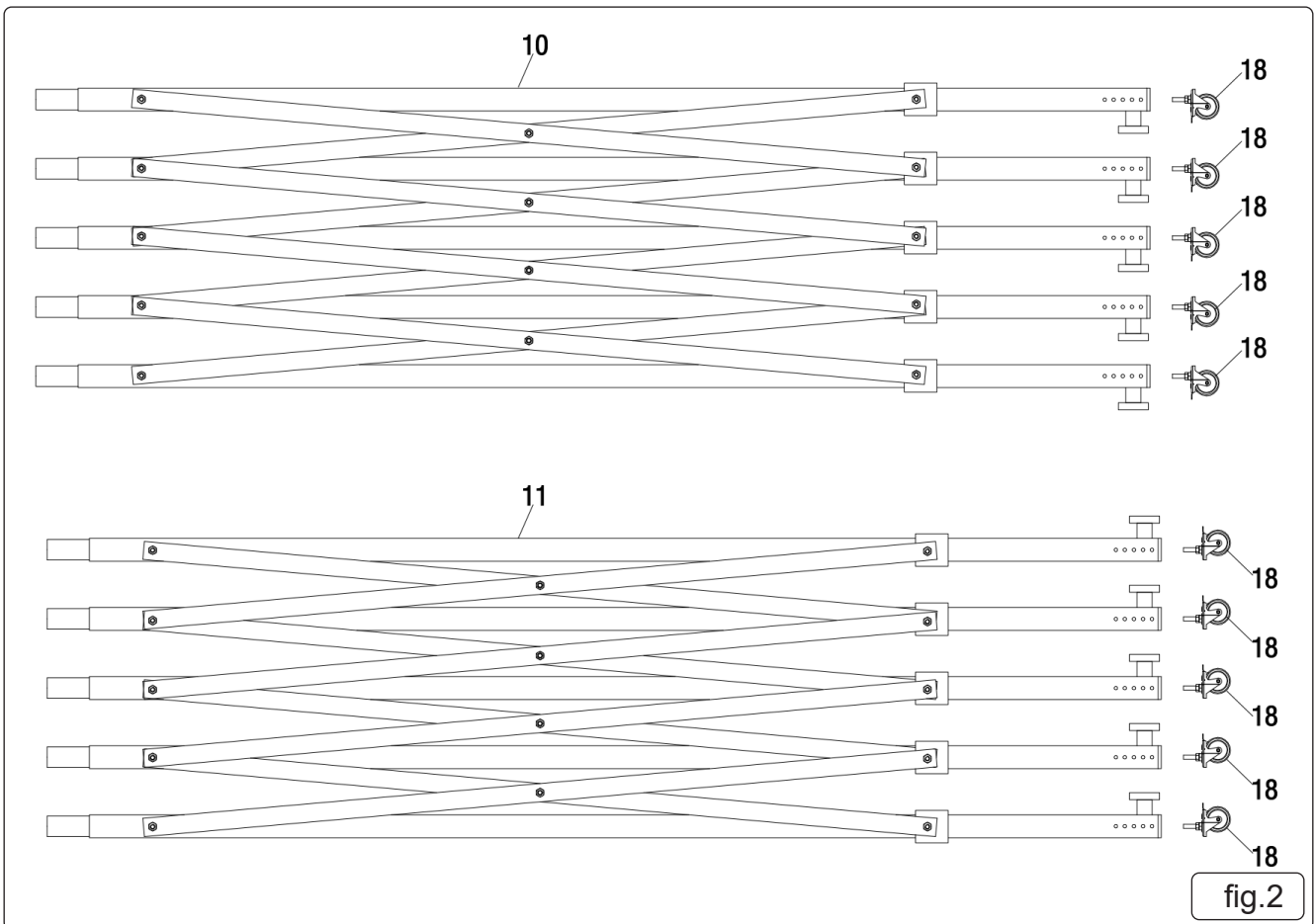
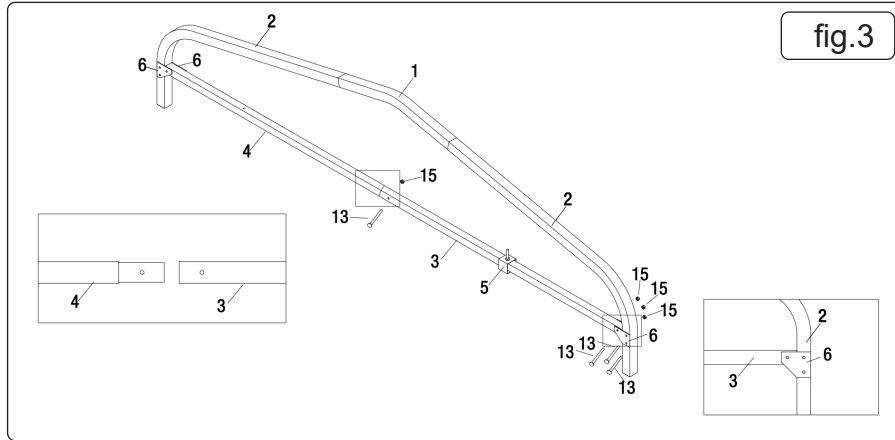


fig.2

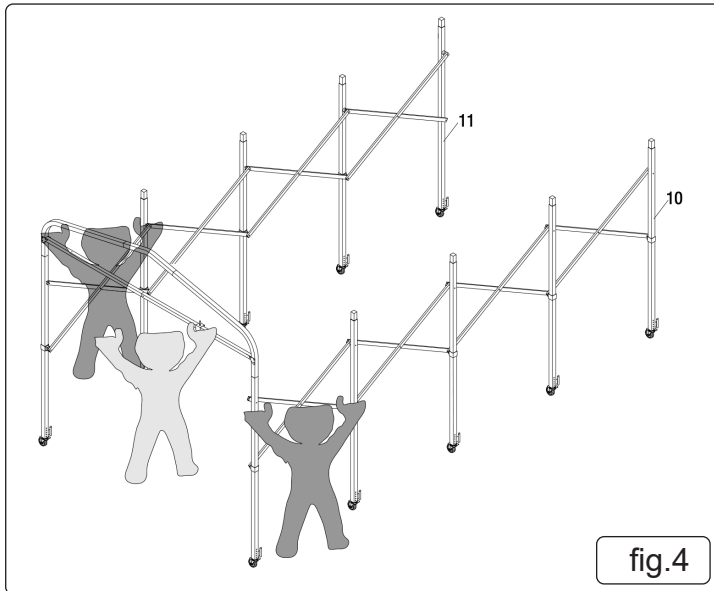
5.5. STEP 2 (FIG 3)

- 5.5.1. Insert tube (fig.3.4) into tube (fig.3.3) and secure it with Bolt M6x55 (fig.3.13) and M6 Nut (fig.3.15), then slide Part (fig.3.5) onto tube (fig.3.3).
- 5.5.2. Connect 1pc of Peak Centre Tube (fig.3.1) and 2pcs of Roof Tube (fig.3.2) as per the below diagram.
- 5.5.3. Then use Connecting Plate (fig.3.6) connect end of tube (fig.3.3) and one side of tube (fig.3.2) together using Bolt M6x55 (fig.3.13) and M6 Nut (fig.3.15).
- 5.5.4. In the same way connect the end of tube (fig.3.4) and the other side of tube (fig.3.2) together using Bolt M6x55 (fig.3.13) and M6 Nut (fig.3.15).
- 5.5.5. Repeat above 3 steps to finish the other 4 sections.



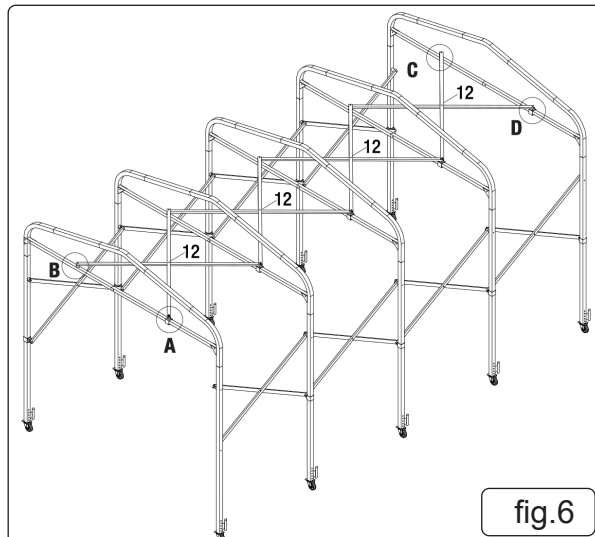
5.6. STEP 3 (FIG.4 & .5)

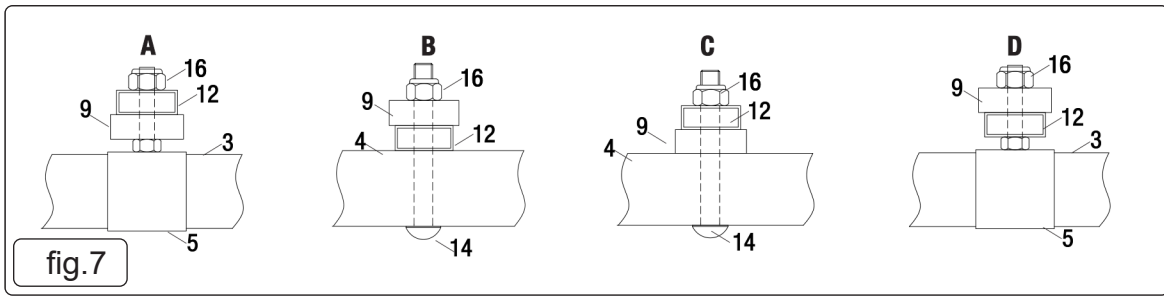
- 5.6.1. Follow the below diagrams (fig.4 & .5), assemble the 5 groups of roof structure onto the two sets of Riser Components (fig.4.10 & 11).



5.7. STEP 4 (FIG.6 & 7)

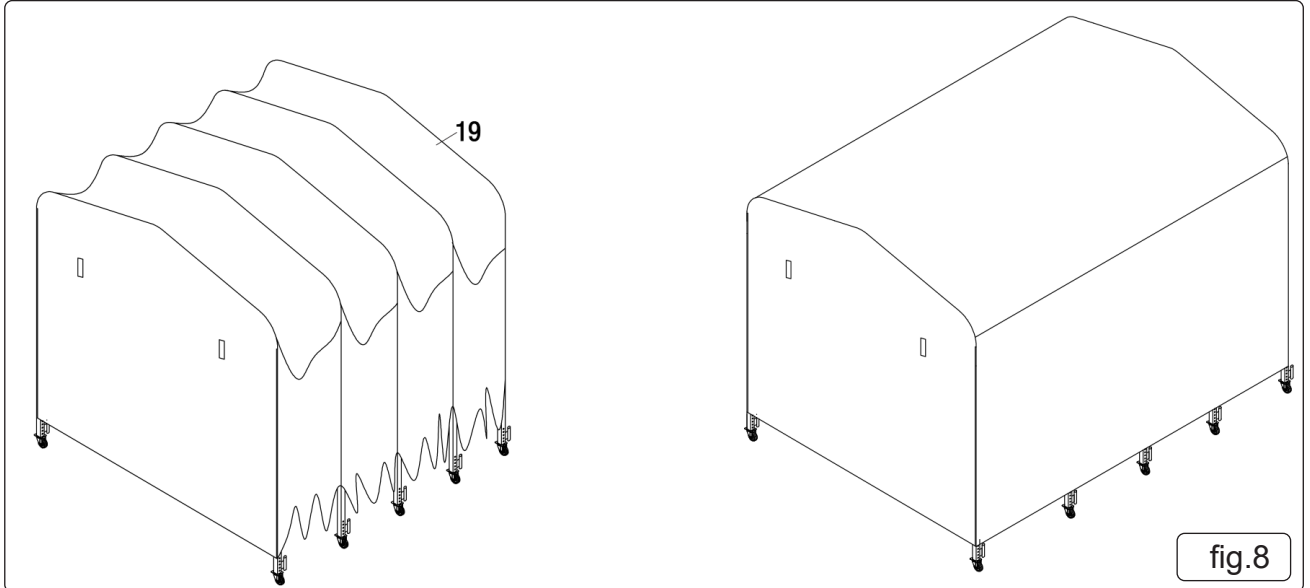
- 5.7.1. Now assemble pipe Jacking Component (fig.6.12) on top of parts 3 & 4 Brace by M8x70 (fig.6.14) and M8 Nut (fig.6.16).
- 5.7.2. Please refer to attached diagram of fig. 7, A, B, C, D. Make sure Axle Tube (fig.6.9) is in the right place, either below part 12, or above part 12 to make sure the components are spaced evenly.





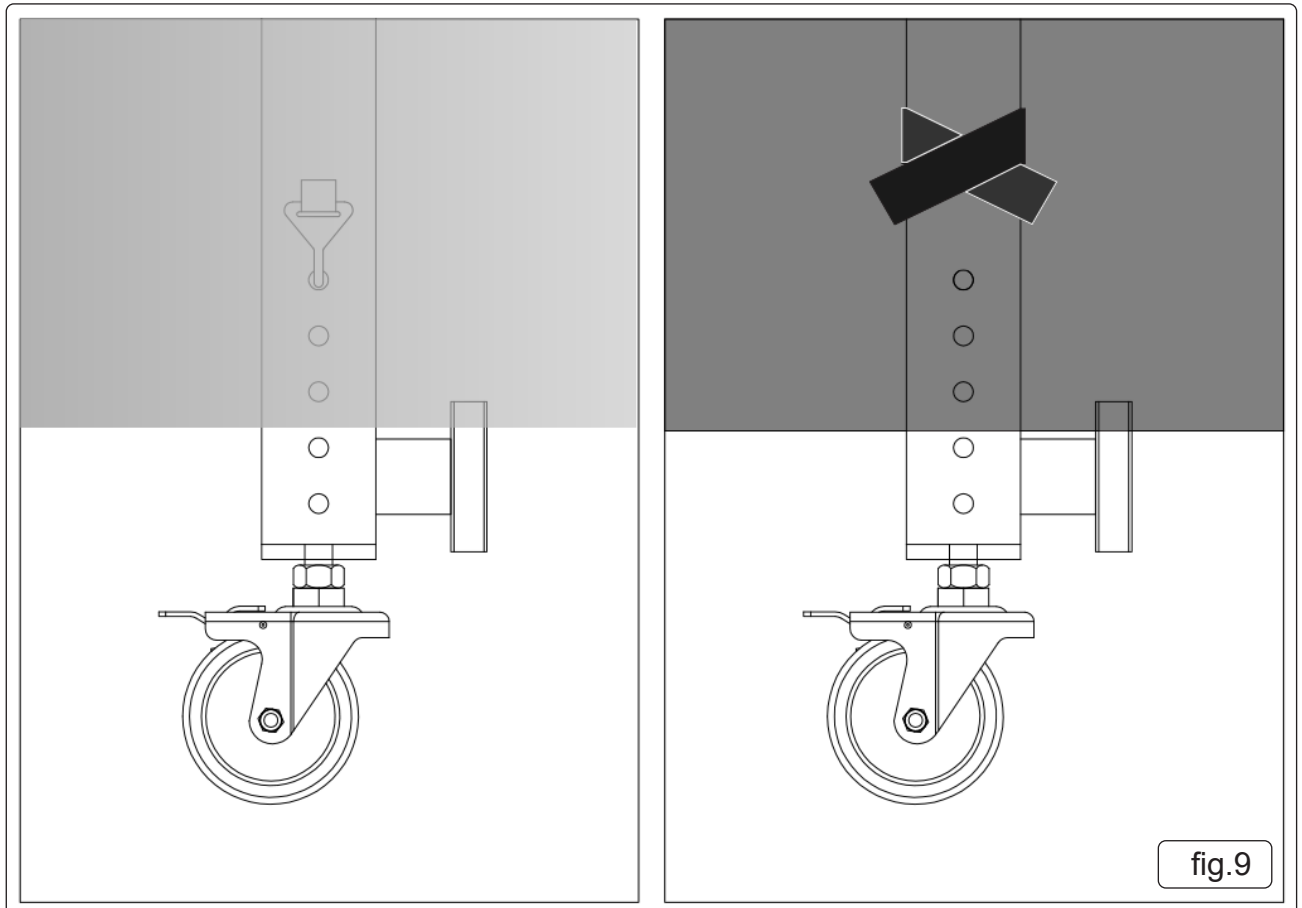
5.8. STEP 5 (FIG.8)

5.8.1. Move the wheels close to the centre to take the tension out of the whole structure, then put the cover (fig.8.19) onto the whole frame, and then pull the whole structure tight.



5.8.2. Walk around the whole structure, pull the cover tight, and then hook the cover into the suitable hole on the tube legs.

5.8.3. Pull the cover tight onto the frame. Use the 'hook and loop tape' straps sewn on the cover to secure it (fig.9).



5.9. STEP 6 (FIG.10)

5.9.1. Carefully move the assemble product to the wall where you want it to stay, then use Anchorage Clip (fig.9.8) and Expansion Bolt (fig.10.17) fix it to the wall.

5.9.2. Then you can latch it to the ground using the stakes (fig.10.7).

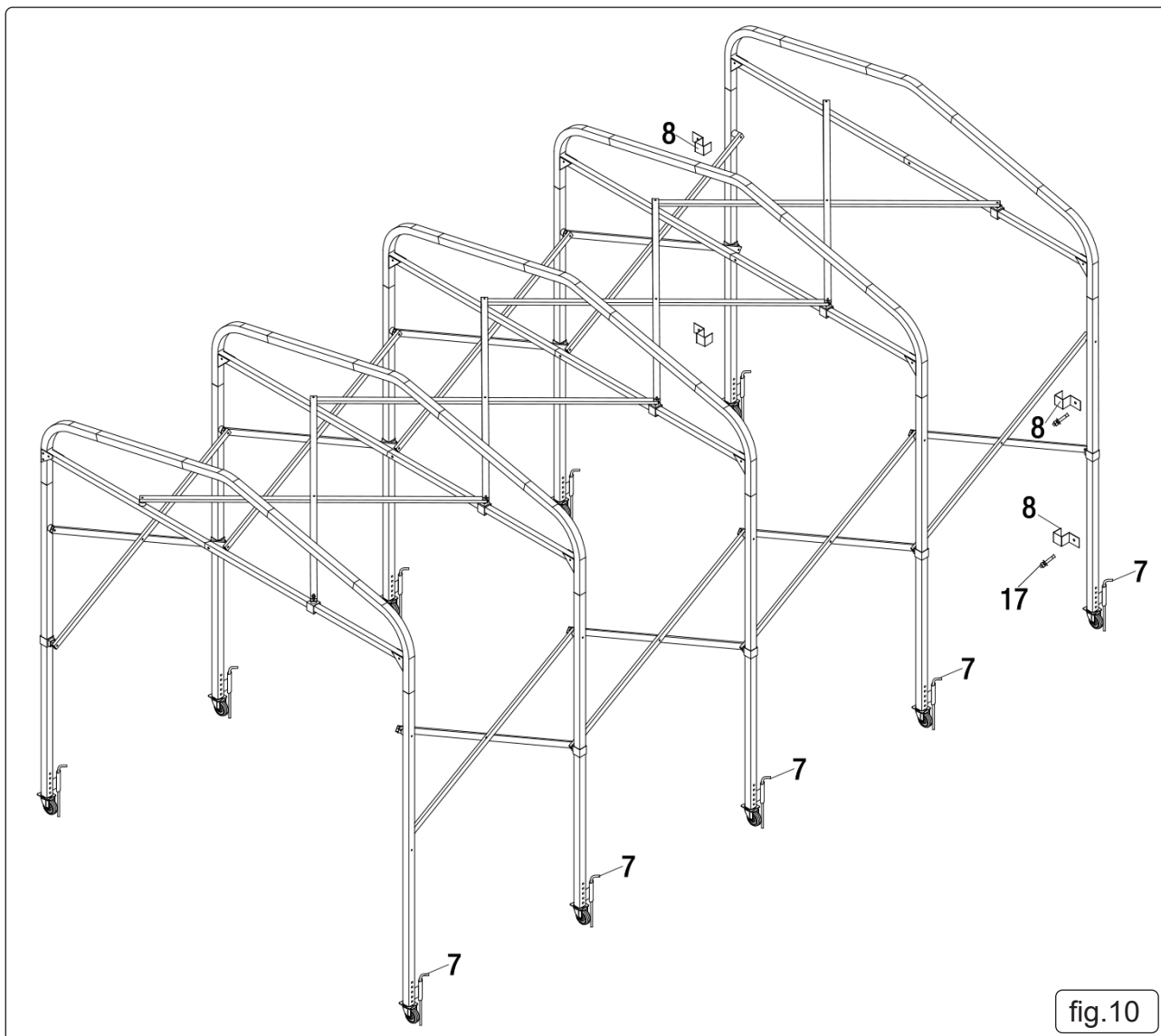


fig.10

6. MAINTENANCE

- ✘ **DO NOT** use bleach, alkaline or harsh detergents for cleaning. Doing so will damage the polyethylene material. Soap and warm water are recommended.



ENVIRONMENT PROTECTION

Recycle unwanted materials instead of disposing of them as waste. All tools, accessories and packaging should be sorted, taken to a recycling centre and disposed of in a manner which is compatible with the environment. When the product becomes completely unserviceable and requires disposal, drain any fluids (if applicable) into approved containers and dispose of the product and fluids according to local regulations.

Note: It is our policy to continually improve products and as such we reserve the right to alter data, specifications and component parts without prior notice.

Important: No Liability is accepted for incorrect use of this product.

Warranty: Guarantee is 12 months from purchase date, proof of which is required for any claim.

Sealey Group, Kempson Way, Suffolk Business Park, Bury St Edmunds, Suffolk. IP32 7AR



01284 757500



01284 703534



sales@sealey.co.uk



www.sealey.co.uk