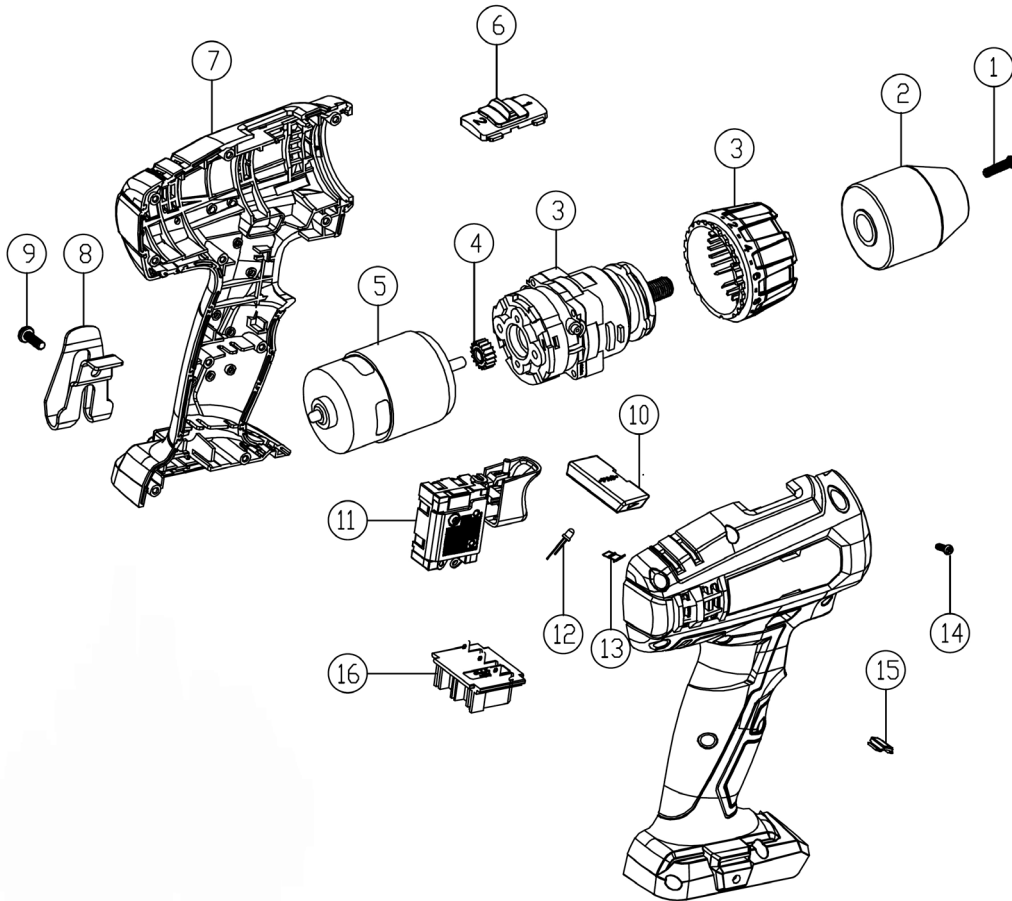


Parts Information:  
**Hammer Drill/Driver 20V 13mm - Body Only**  
**Model No: CP20VDD**



Item	Part No.	Description
1	CP20VDD.01	Chuck Screw (LH Thread)
2	CP20VDD.02	Keyless Chuck
3	CP20VDD.03	Gearbox
4	CP20VDD.04	Motor Gear
5	CP20VDD.05	Motor
6	CP20VDD.06	Speed Selector Slide Button
7	CP20VDD.07	Casing Complete
8	CP20VDD.08	Belt Hook
9	CP20VDD.09	Belt Hook Screw
10	CP20VDD.10	Forward/Reverse Rod
11	CP20VDD.11	Switch Assembly
12	CP20VDD.12	LED

Item	Part No.	Description
13	CP20VDD.13	Spring Plate for Forward/Reverse Rod
14	CP20VDD.14	Tapping Screw
15	CP20VDD.15	LED Cover
16	CP20VDD.16	Battery Contact Plate
--	CP20VBP	Power Tool Battery 20V 3Ah Li-ion for CP20V Series (NOT SUPPLIED)
--	CP20VBP2	Power Tool Battery 20V 2Ah Lithium-ion for CP20V Series (NOT SUPPLIED)
--	CP20VBP4	Power Tool Battery 20V 4Ah Lithium-ion for CP20V Series (NOT SUPPLIED)
--	CP20VMC	Battery Charger 20V Lithium-ion for CP20V Series (NOT SUPPLIED)

**NOTE:** It is our policy to continually improve products and as such we reserve the right to alter data, specifications and component parts without prior notice.

**IMPORTANT:** No liability is accepted for incorrect use of product.

**WARRANTY:** Guarantee is 12 months from purchase date, proof of which will be required for any claim.