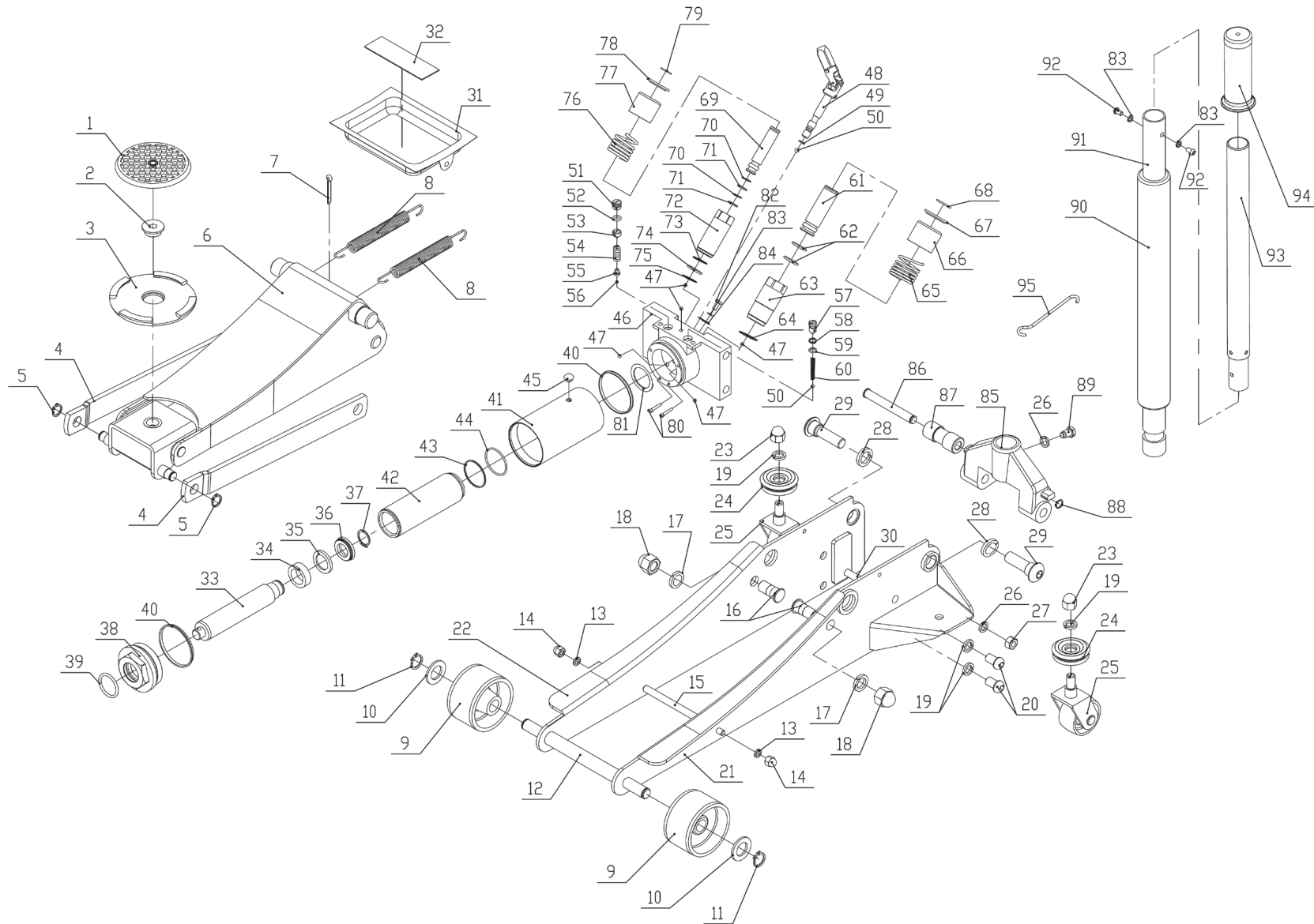




Parts Information:  
**Trolley Jack 3tonne Rocket Lift**  
**Model No: 3040 SERIES**



Sealey Group, Kempson Way, Suffolk Business Park, Bury St Edmunds, Suffolk. IP32 7AR



01284 757500



01284 703534



sales@sealey.co.uk



www.sealey.co.uk



Parts Information:  
**Trolley Jack 3tonne Rocket Lift**  
**Model No: 3040 SERIES**

Item	Part No.	Description
1	4040A.01	SADDLE PAD
2	4040A.02	SADDLE PIN
3	4040A.03	SADDLE
4	4040A.04	RADIUS LINK
5	4040A.05	SNAP RING
6	3040AG.06	LIFTING ARM ASSEMBLY 'GREEN' (3040AG only)
--	3040AO.06	LIFTING ARM ASSEMBLY 'ORANGE' (3040AO only)
--	3040AY.06	LIFTING ARM ASSEMBLY 'YELLOW' (3040AY only)
7	4040A.07	SPLIT PIN
8	4040A.08	RETURN SPRING
9	3040AG.09	FRONT WHEEL 'GREEN' (3040AG only)
--	3040AO.09	FRONT WHEEL 'ORANGE' (3040AO only)
--	3040AY.09	FRONT WHEEL 'Yellow' (3040AY only)
10	3040A.10	WASHER
11	3040A.11	RETAINING RING
12	3040A.12	FRONT AXLE
13	3040A.13	LOCK WASHER
14	3040A.14	DOMED NUT
15	3040A.15	FRAME ROD
16	4040A.15	RADIUS LINK STUD
17	4040A.16	LOCK WASHER
18	4040A.17	DOMED NUT
19	4040A.21	LOCK WASHER
20	4040A.20	BUTTON HEAD SOCKET SCREW
21	3040A.21	SIDE FRAME, LEFT
22	3040A.22	SIDE FRAME, RIGHT
23	4040A.28	DOMED NUT
24	4040A.27	BEARING RACE ASSEMBLY
25	4040AG.26	CASTOR WHEEL ASSEMBLY 'GREEN' (3040AG only)
--	4040AO.26	CASTOR WHEEL ASSEMBLY 'ORANGE' (3040AO only)
--	4040AY.26	CASTOR WHEEL ASSEMBLY 'YELLOW' (3040AY only)
26	4040A.88	LOCK WASHER
27	3040A.27	NUT
28	4040A.19	LOCK WASHER
29	3040A.29	BUTTON HEAD SOCKET SCREW
30	3040A.30	FRAME ROD
31	3040A.31	TOOL TRAY
32	4040A.30	MAGNETIC RUBBER PAD
33	3040A.33	RAM PLUNGER

Item	Part No.	Description
34	3040A.34	BUSHING COVER
35	3040A.35	BACK-UP WASHER
36	3040A.36	U-CUP SEAL
37	3040A.37	RETAINING RING
38	3040A.38	TOP NUT
39	3040A.39	O-RING
40	3040A.40	SEALING RING
41	3040A.41	RESERVIOR
42	3040A.42	CYLINDER
43	3040A.43	BACK-UP WASHER
44	3040A.44	O-RING
45	4040A.43	OIL FILLER PLUG
46	3040A.46	BASE PLATE
47	4040A.45	STEEL BALL
48	4040A.47	RELEASE VALVE ASSEMBLY
49	4040A.48	O-RING
50	4040A.49	STEEL BALL
51	4040A.50	GUIDE SCREW
52	4040A.51	O-RING
53	4040A.52	SAFETY VALVE SCREW
54	4040A.53	VALVE SPRING
55	4040A.54	VALVE
56	4040A.55	STEEL BALL
57	4040A.56	BOLT
58	4040A.57	BACK-UP WASHER
59	4040A.58	O-RING
60	4040A.59	SPRING
61	4040A.60	PUMP PISTON (LARGE)
62	4040A.61	O-RING (PISTON PUMP 'LARGE')
63	4040A.62	PUMP CYLINDER (LARGE)
64	4040A.63	WASHER (PUMP CYLINDER 'LARGE')
65	3040A.65	SPRING (PUMP CORE 'LARGE')
66	4040A.65	PUMP CORE (LARGE)
67	4040A.66	SPRING COVER PLATE
68	4040A.67	SNAP RING
69	4040A.68	PUMP PISTON (SMALL)
70	4040A.69	BACK-UP WASHER
71	4040A.70	O-RING (PUMP PISTON 'SMALL')
72	4040A.71	PUMP CYLINDER (SMALL)
73	4040A.72	BACK-UP WASHER
74	4040A.73	O-RING (PUMP CYLINDER 'SMALL')
75	4040A.74	WASHER (PUMP CYLINDER 'SMALL')
76	4040A.75	SPRING (PUMP CORE 'SMALL')

**NOTE:** It is our policy to continually improve products and as such we reserve the right to alter data, specifications and component parts without prior notice.

**IMPORTANT:** No liability is accepted for incorrect use of product.

**WARRANTY:** Guarantee is 12 months from purchase date, proof of which will be required for any claim.

**Sealey Group**, Kempson Way, Suffolk Business Park, Bury St Edmunds, Suffolk. IP32 7AR



01284 757500



01284 703534



sales@sealey.co.uk



www.sealey.co.uk



Parts Information:  
**Trolley Jack 3tonne Rocket Lift**  
**Model No: 3040 SERIES**

Item	Part No.	Description
77	4040A.76	PUMP CORE (SMALL)
78	4040A.77	SPRING COVER PLATE (SMALL)
79	4040A.78	SNAP RING
80	4040A.79	STRAINER
81	3040A.81	WASHER
82	4040A.80	BOLT
83	4040A.81	LOCK WASHER
84	4040A.82	WASHER
85	4040A.83	HANDLE SOCKET
86	4040A.84	HANDLE SOCKET PIN

Item	Part No.	Description
87	4040A.85	HANDLE SOCKET ROLLER
88	4040A.86	SNAP RING
89	4040A.87	HANDLE SOCKET BOLT
90	4040A.92	HANDLE SLEEVE
91	4040A.89	LOWER HANDLE
92	4040A.90	HANDLE SCREW
93	4040A.91	UPPER HANDLE
94	4040A.93	HANDLE GRIP
95	4040A.94	HOOK

**NOTE:** It is our policy to continually improve products and as such we reserve the right to alter data, specifications and component parts without prior notice.

**IMPORTANT:** No liability is accepted for incorrect use of product.

**WARRANTY:** Guarantee is 12 months from purchase date, proof of which will be required for any claim.

**Sealey Group**, Kempson Way, Suffolk Business Park, Bury St Edmunds, Suffolk. IP32 7AR



01284 757500



01284 703534



sales@sealey.co.uk



www.sealey.co.uk