

Issue: 1
 Issue Date: 161013

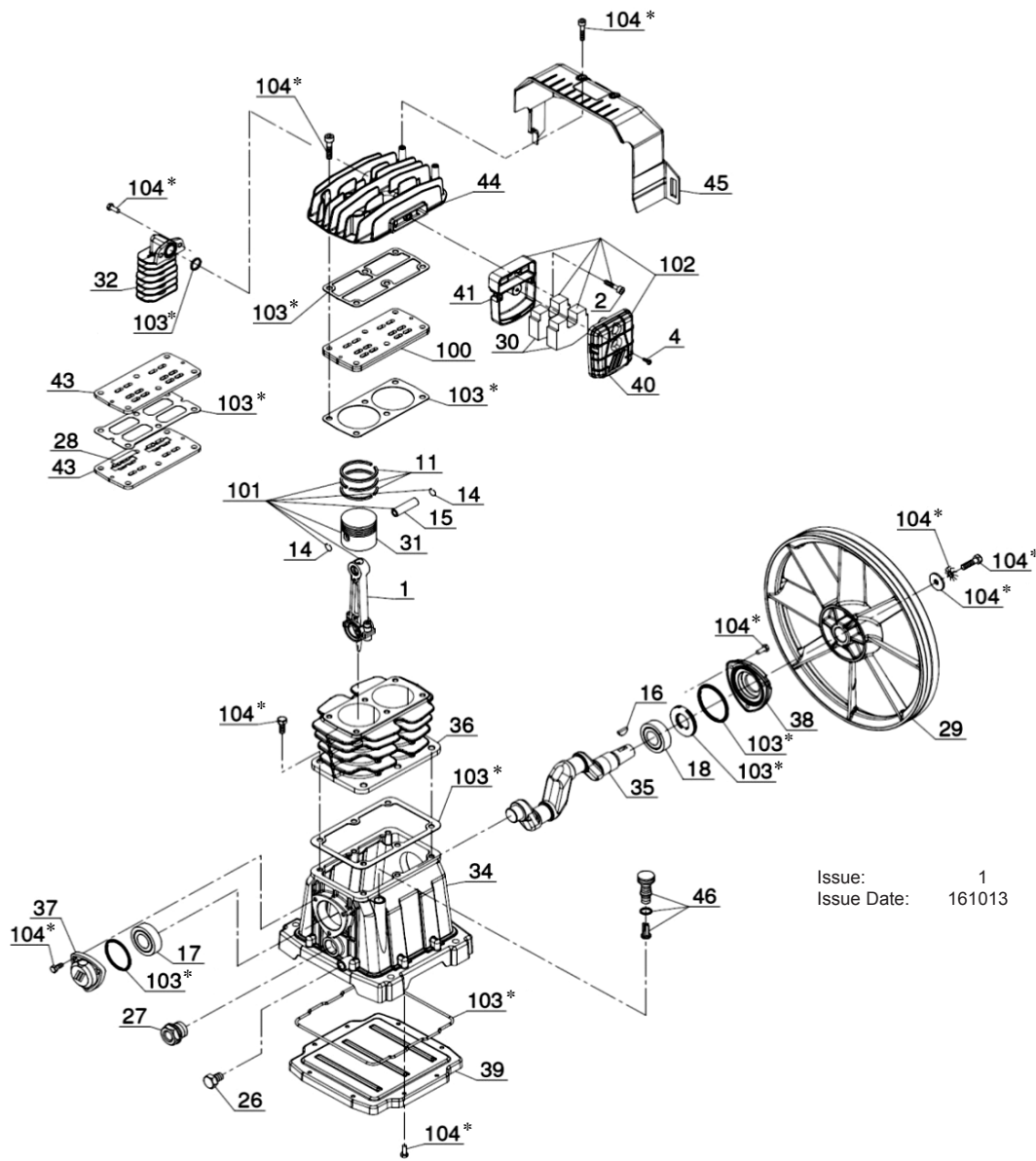
| ITEM | PART NO | DESCRIPTION | ITEM | PART NO | DESCRIPTION |
|------|---------------|-----------------------|------|---------------|---------------------|
| 1 | SAC3020041000 | PUMP UNIT | 19 | SAC7230010000 | RISLAN HOSE |
| 2 | SAC5010940008 | BASE PLATE | 20 | SAC7238810000 | INFEEED HOSE |
| 3 | SAC5159200008 | TANK 200ltr | 21 | SAC4170130000 | BELT GUARD KIT |
| 4 | SAC7011100000 | BOLT M8X60 | 22 | SAC7370410000 | BELT 3V 530 |
| 5 | SAC7011120000 | SCREW (M10x45) | 23 | SAC4151600000 | MOTOR/PULLEY KIT |
| 6 | SAC7011410000 | BOLT (M10x20) | 24 | SAC7458860000 | BELT GUARD SUPPORT |
| 7 | SAC7012090000 | PHILLIPS BOLT M5X12 | 25 | SAC7459260000 | BELT GUARD SUPPORT |
| 8 | SAC7020240000 | NUT (M8) | 26 | SAC7459670000 | BELT GUARD SUPPORT |
| 9 | SAC7020250000 | NUT (M10) | 50 | SAC4057710000 | PRESSURE SWITCH KIT |
| 10 | SAC7030030000 | WASHER | 51 | SAC7023050000 | LOCK NUT |
| 11 | SAC7030050000 | WASHER (6x24) | 52 | SAC7088060000 | CONNECTOR |
| 12 | SAC7081040000 | JOINT 1/2" | 53 | SAC7090070000 | PLUG 1/4" |
| 13 | SAC7085020000 | FITTING 1/2"-3/8" M/F | 54 | SAC7110300000 | PRESS GAUGE 230PS |
| 14 | SAC7090030000 | PLUG 1/2 | 55 | SAC7250360000 | PRESSUE SWITCH |
| 15 | SAC7130150000 | TAP 1/2" F/F | 56 | SAC7329050000 | INFEEED CABLE |
| 16 | SAC7130160000 | TAP 3/8" | 100 | SAC4080500000 | SCREW KIT |
| 17 | SAC7190190000 | NON-RETURN VALVE | | | |
| 18 | SAC7192090000 | SAFETY VALVE 3/8" | | | |

NOTE: It is our policy to continually improve products and as such we reserve the right to alter data, specifications and component parts without prior notice.

IMPORTANT: No liability is accepted for incorrect use of product.

WARRANTY: Guarantee is 12 months from purchase date, proof of which will be required for any claim.

INFORMATION: For a copy of our latest catalogue and promotions call us on 01284 757525 and leave your full name and address, including postcode.



Issue: 1
 Issue Date: 161013

| ITEM | PART NO | DESCRIPTION | ITEM | PART NO | DESCRIPTION |
|------|---------------|--------------------|------|---------------|--------------------|
| 1 | SAC9105450240 | CON-ROD | 35 | SAC9105450250 | CRANKSHAFT |
| 11 | SAC4080070000 | PISTON RING SET | 36 | SAC9105450060 | CYLINDER |
| 14 | SAC7041410000 | RING | 37 | SAC9105450070 | FRONT COVER |
| 15 | SAC7050110000 | PISTON PIN (15x55) | 38 | SAC9105450080 | REAR COVER |
| 16 | SAC7051510000 | KEY (5x7.5) | 39 | SAC9105450090 | BOTTOM COVER |
| 17 | SAC7060060000 | BEARING 6205 | 44 | SAC9105450180 | HEAD |
| 18 | SAC7060150000 | BEARING 6206 | 45 | SAC7153140000 | COVER |
| 26 | SAC7090090000 | PLUG 1/4" | 46 | SAC9700001377 | VENT PLUG |
| 27 | SAC7180060000 | OIL SIGHT GLASS | 100 | SAC4231260000 | VALVE PLATE KIT |
| 29 | SAC7201010000 | FLYWHEEL | 101 | SAC4291070000 | CON-ROD/PISTON KIT |
| 31 | SAC7220090000 | PISTON | 102 | SAC4250130000 | INTAKE FILTER KIT |
| 32 | SAC9100270270 | AFTERCOOLER | 103 | SAC4081990000 | GASKET KIT |
| 34 | SAC9105450010 | CRANKCASE | 104 | SAC4080480000 | SCREW KIT |

NOTE: It is our policy to continually improve products and as such we reserve the right to alter data, specifications and component parts without prior notice.
IMPORTANT: No liability is accepted for incorrect use of product.
WARRANTY: Guarantee is 12 months from purchase date, proof of which will be required for any claim.
INFORMATION: For a copy of our latest catalogue and promotions call us on 01284 757525 and leave your full name and address, including postcode.