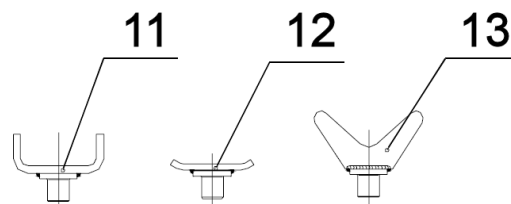
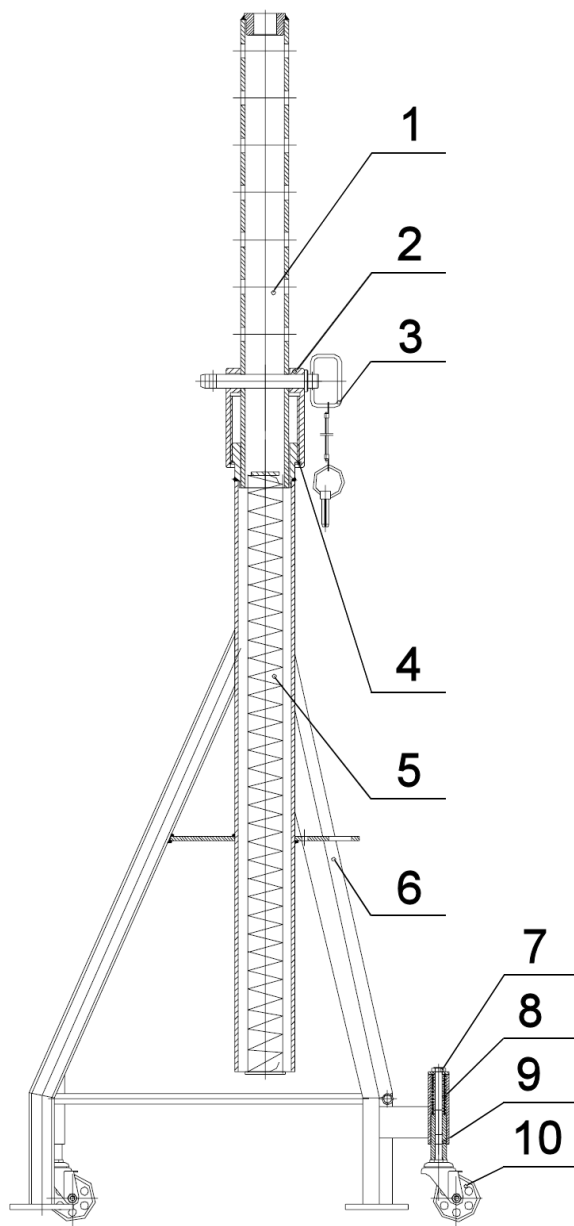




PARTS FOR :
HIGH LEVEL COMMERCIAL VEHICLE
SUPPORT STAND 5tonne
MODELS: ASC50



ISSUE NO : 1
ISSUE DATE : 19/12/2016

ITEM	PART NO	DESCRIPTION	ITEM	PART NO	DESCRIPTION
1	ASC70.01	INNER ROD	8	ASC70.08	SPRING, CASTOR
2	ASC70.02	LOAD PIN	9	ASC70.09	LINK TUBE
3	ASC70.03	HITCH PIN ASS'Y	10	ASC70.10	WHEEL ASS'Y
4	ASC70.04	SNAP RING	11	ASC70.11	CRUTCH HEAD 'U' (LONG)
5	ASC70.05	MAIN SPRING	12	ASC70.12	CRUTCH HEAD 'U' (SHORT)
6	ASC70.06	STAND BASE ASS'Y	13	ASC70.13	CRUTCH HEAD 'V'
7	ASC70.07	BOLT, CASTOR			



Sole UK Distributor, Sealey Group.
Kempson Way, Suffolk Business Park,
Bury St. Edmunds, Suffolk.
IP32 7AR

 01284 757500
 01284 703534

 www.sealey.co.uk
 sales@sealey.co.uk