



INSTRUCTIONS FOR:
COMMERCIAL VEHICLE SUPPORT STANDS
5, 7 & 12 TONNE CAPACITY

MODEL NOS: **ASC50, ASC70, ASC120**

Thank you for purchasing a Sealey product. Manufactured to a high standard, this product will, if used according to these instructions, and properly maintained, give you years of trouble free performance.

IMPORTANT: PLEASE READ THESE INSTRUCTIONS CAREFULLY. NOTE THE SAFE OPERATIONAL REQUIREMENTS, WARNINGS & CAUTIONS. USE THE PRODUCT CORRECTLY AND WITH CARE FOR THE PURPOSE FOR WHICH IT IS INTENDED. FAILURE TO DO SO MAY CAUSE DAMAGE AND/OR PERSONAL INJURY AND WILL INVALIDATE THE WARRANTY. KEEP THESE INSTRUCTIONS SAFE FOR FUTURE USE.



Refer to instructions

▲ CAUTION

Spring assisted centre column.
 Always place light pressure on top of the column when releasing the locking pin.
DO NOT stand over or point unit at others when removing locking pin to avoid potential injury from spring.
 Always store fully extended where possible.

IMPORTANT NOTE: these stands are rated singly. Used in pairs they will support twice the rated load.

TAKE CARE; you may know the total weight of the vehicle you want to support but you cannot calculate the exact weight distribution between support points.

For this reason always allow a 40% margin for error.
 For example: a vehicle weighing 20tons could have a single axle load of more than 10tons and two 5ton supports would not be adequate.

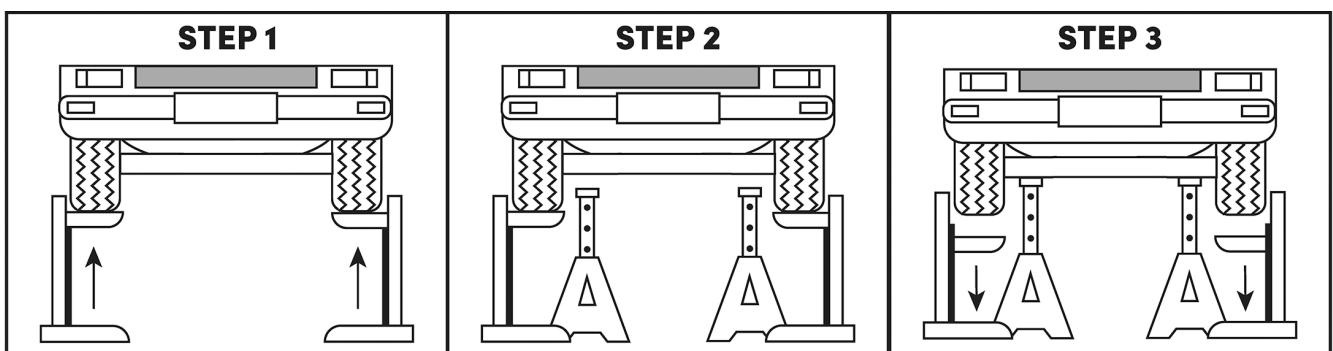
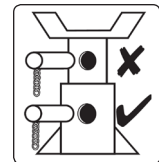
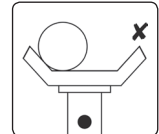
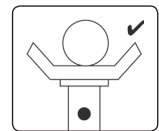
1. SAFETY

❑ WARNING!

DO NOT OVERLOAD STANDS BEYOND RATED CAPACITY. OVERLOADING CAN CAUSE DAMAGE TO, OR FAILURE OF, THE STANDS. POSITION LOAD ON CENTRE OF CRUTCH/SADDLE ONLY. ALWAYS ENSURE ADEQUATE NUMBER OF STANDS ARE USED TO SUPPORT THE LOAD FULLY AND USE ON A HARD LEVEL SURFACE CAPABLE OF SUSTAINING THE LOAD. USE OF STANDS ON OTHER THAN HARD LEVEL SURFACES CAN RESULT IN LOAD INSTABILITY AND POSSIBLE LOSS OF LOAD. DO NOT USE ON TARMACADAM. FAILURE TO FOLLOW THESE INSTRUCTIONS MAY RESULT IN DAMAGE TO STANDS, LOSS OF LOAD RESULTING IN PROPERTY DAMAGE, SERIOUS PERSONAL INJURY OR LOSS OF LIFE.

▲ DANGER! GREAT CARE MUST BE TAKEN TO ENSURE YOU LOWER THE VEHICLE (OR OTHER LOAD) SLOWLY AND CAREFULLY ONTO THE CENTRES OF THE CRUTCH/SADDLE OF THE STANDS.

- ✓ Ensure the load does not exceed the maximum capacity as marked on the stand.
- ✓ Always ensure adequate number of stands are used to support the load fully.
- ✓ No alterations or modifications shall be made to this product.
- ✓ Use on a hard, level surface, e.g. concrete. Do not use on uneven ground or tarmacadam.
- ✓ Securely chock wheels in contact with the lift/ground. Before jacking and placing the stands, apply vehicle handbrake.
- ✓ Make sure that each stand is securely located under a strong point on the vehicle; consult the vehicle manufacturer's handbook for guidance. Ensure that height adjust locking mechanism is fully located before applying any load to the stand. Ensure that the load is located centrally on the saddle, and that the weight is directed through the vertical axis of the stand.
- ✓ Exercise extra care when using with a three wheeled vehicle or a trailer. Refer to vehicle manufacturer's instructions. Once vehicle is supported, ensure that the vehicle and stands are stable before starting work. Ensure that it is not possible for the vehicle to move before commencing any work.
- ✓ Inspect stands before each use. **DO NOT** use if they show signs of damage. **DO NOT** use if it is suspected that they have been overloaded.
- ✓ Before commencing any work or going beneath the vehicle, undertake a risk assessment. Ensure that a responsible person is aware of the work about to be undertaken.
- ✓ Replace any labels on the stand should they become unreadable. This applies in particular to any warning or operation instruction labels. If replacement labels are required, contact your Sealey stockist.
- ✗ **DO NOT** use stands on the highway, or anywhere else if it is deemed to be unsafe.
- ✗ **DO NOT** push or twist the vehicle/load whilst it is supported on stands.
- ✗ **DO NOT** mix components between stands. Use only as supplied.
- ✗ **DO NOT** allow children or animals in the vicinity of a vehicle supported on stands.
- ✗ **DO NOT** leave a vehicle on stands in an area that could be considered a hazard to others or property.



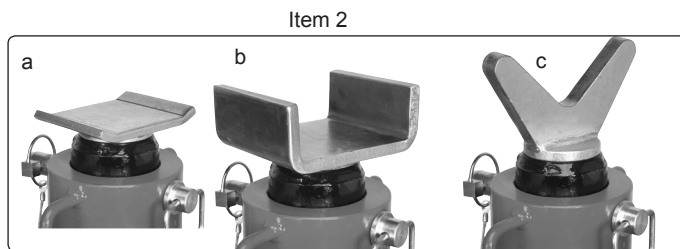
2. INTRODUCTION

Heavy-duty high level stand to safely support vehicles when wheel free operations are being carried out. Supplied with three interchangeable crutches for even load support. Heavy gauge steel frame and welded construction give superior strength and safety. Features captive, spring assisted, multi-position pin load support and retracting castors for easy manoeuvrability. Ideal for commercial vehicles. Sold as singles. Independently UK load tested.

3. SPECIFICATION

Model No:	ASC50	ASC70	ASC120
Capacity:	.5tonne	7tonne	12tonne
Minimum Height:	1295mm	1295mm	1295mm
Maximum Height:	1905mm	1905mm	1905mm

4. CONTENTS



Item	Description	Qty
1	Central Column Sub Assembly	1-set
2a,b,c	Saddles	1-set
3	Tripod Leg	3
4	Swivel Castor Sub Assembly	3
5	Cross Members	3
6	Bracket	3
7	Hexagon Screw M12 X 40	9
8	Hexagon Bolt M12 X 90	3
9	Hexagon Nut M12	12
10	Plain Washer Ø12	24
11	Spring Washer Ø12	12

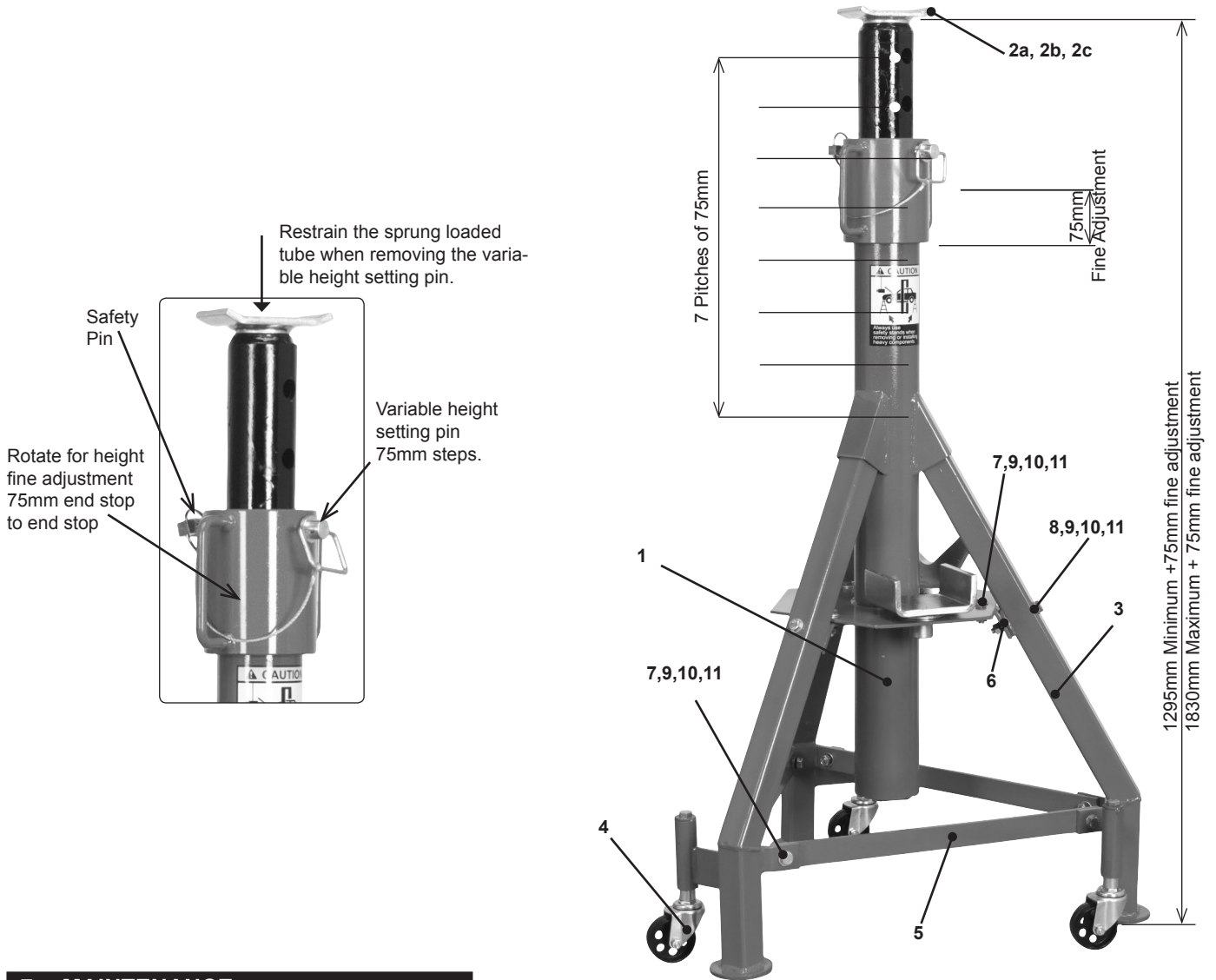
5. ASSEMBLY

Assembly will require two persons. The central column will be partially assembled with a tube fully inserted against the forces of an internal compression spring. **▲ It is important to leave this tube inserted and pinned as supplied at this stage.**

- 5.1. Offer the three tripod legs (item 3) into the central column pockets (item 1).
- 5.2. Fit loosely the three cross members (item 5) to the tripod legs with fixings (items 7,9,10,11)
- 5.3. Fit loosely the three brackets (item 6) to the tripod legs with fixings (items 8,9,10,11) and the central column ring with fixings (items 7,9,10,11).
- 5.4. Tighten all fixings to form a rigid geometrically aligned frame.

6. OPERATION

- 6.1. Before undertaking work conduct a risk assessment with a responsible person and ensure it covers the weight to be supported and a margin for error. Never work alone on a vehicle supported on these stands. It is the employer's responsibility to ensure the operator has read these instructions and is familiar with the products use and limitations. Ensure that all operators can read English or have the instructions explained to them in their native language. Also ensure the warnings on the product are observed.
 - 6.2. Use only in conjunction with a vehicle lift - Never with any other jacking device. Elevate the lift to the appropriate height and locate the supports, with the appropriate saddles ONLY on the Vehicle Manufacturers recommended jacking/support positions.
 - 6.3. For large movement of the column tube it will be necessary to retain it by hand whilst withdrawing the height setting pin. Allow the column tube to elevate assisted by the spring to the nearest available pin hole prior to engaging with the vehicle. Ensure the pin is inserted fully and safety pinned, then rotate the fine adjuster to close the gap to zero at all locations. **Always insert the pin through the hole in the collar of the stand and the support column.**
 - 6.4. Use a maximum of 2 stands per axle only and in multiples of 2 evenly across the rest of the load if required. BE CERTAIN that all the stands are set to a height that will leave the vehicle supported completely horizontal and not at an angle that could cause slipping on the stand support heads. Check this on the vehicle across its length AND its width. Ensure there are no objects or individuals in the area other than the operator and the supervisor and no person or article is under the vehicle. Take extreme care to lower the lift slowly and reduce its height only the minimum distance you need to achieve the wheel free status required. Engage the assistance of a colleague while you perform this task. **LOWER ONTO ALL STANDS BEING USED AT THE SAME TIME.**
- WARNING!** When Vehicle is supported on stands never apply excessive force to fastenings or run the engine.



7. MAINTENANCE

- 7.1. Before and after each use, check that stands and stand welds are not cracked and that there are no missing or damaged parts, including fixings. *Any suspect stands must be removed from service immediately. An annual inspection of the stand is recommended to be carried out by an authorised repair facility.*
- 7.2. Periodically lubricate the fine adjuster thread with a light general purpose oil.
- 7.3. After use, wipe clean the stand and saddles.
- 7.4. Store the stand in the fully extended position. Store in a dry childproof area.



Environmental Protection
 Recycle unwanted materials instead of disposing of them as waste. All tools, accessories and packaging should be sorted, taken to a recycling centre and disposed of in a manner which is compatible with the environment. When the product becomes completely unserviceable and requires disposal, drain off any fluids (if applicable) into approved containers and dispose of the product and the fluids according to local regulations.

NOTE: It is our policy to continually improve products and as such we reserve the right to alter data, specifications and component parts without prior notice.

IMPORTANT: No liability is accepted for incorrect use of this product.

WARRANTY: Guarantee is 12 months from purchase date, proof of which will be required for any claim.



Sole UK Distributor, Sealey Group.
 Kempson Way, Suffolk Business Park,
 Bury St. Edmunds, Suffolk.
 IP32 7AR



01284 757500



01284 703534



www.sealey.co.uk



sales@sealey.co.uk