



SPARE PARTS LISTING SHEET FOR

2 Tonne Long Chassis Hydraulic Trolley Jack

Stock No.48349

Part No.TJ2/HD-LONG

KEY No.	PART No.	STOCK No.	DESCRIPTION
1	YTJ2/HD-LONG-01	55094	Nut.
2	YTJ2/HD-LONG-02	55436	Washer.
3	YTJ2/HD-LONG-03	55602	Front wheel.
4	YTJ2/HD-LONG-04	55712	Wheel bushing.
5	YTJ2/HD-LONG-05	56110	Left frame.
6	YTJ2/HD-LONG-06	56122	Axle.
7	YTJ2/HD-LONG-07	56142	Right frame.
8	YTJ2/HD-LONG-08	56237	Shaft.
9	YTJ2/HD-LONG-09	46245	Washer.
10	YTJ2/HD-LONG-10	56253	Nut.
11	YTJ2/HD-LONG-11	52661	Washer.
12	YTJ2/HD-LONG-12	56279	Nut.
13	YTJ2/HD-LONG-13	56287	Nut.
14	YTJ2/HD-LONG-14	56295	Rear castor.
15	YTJ2/HD-LONG-15	56617	Nut.
16	YTJ2/HD-LONG-16	56625	Washer.
17	YTJ2/HD-LONG-17	56633	Shaft.
18	YTJ2/HD-LONG-18	56641	Pump plunger pin.
19	YTJ2/HD-LONG-19	56683	Circlip.
20	YTJ2/HD-LONG-20	56691	Pump plunger.
21	YTJ2/HD-LONG-21	56732	Boot.
22	YTJ2/HD-LONG-22	46740	O-Ring.
23	YTJ2/HD-LONG-23	56899	Seal.
24	YTJ2/HD-LONG-24	56922	Pump cylinder.
25	YTJ2/HD-LONG-25	56930	Washer.
26	YTJ2/HD-LONG-26	56948	Spring.
27	YTJ2/HD-LONG-27	56964	Ball.
28	YTJ2/HD-LONG-28	57540	Valve rod.
29	YTJ2/HD-LONG-29	57558	Seal.
30	YTJ2/HD-LONG-30	57566	Steel ball.
31	YTJ2/HD-LONG-31	57578	Plug.
32	YTJ2/HD-LONG-32	57586	Piston.
33	YTJ2/HD-LONG-33	75516	Circlip.
34	YTJ2/HD-LONG-34	75517	O-ring retainer.
35	YTJ2/HD-LONG-35	75518	O-ring.
36	YTJ2/HD-LONG-36	75519	Washer.
37	YTJ2/HD-LONG-37	75520	Piston ring.
38	YTJ2/HD-LONG-38	75521	Piston rod.
39	YTJ2/HD-LONG-39	75522	Washer.
40	YTJ2/HD-LONG-40	75523	O-ring.
41	YTJ2/HD-LONG-41	75524	Circlip.
42	YTJ2/HD-LONG-42	75525	Spring.

KEY No.	PART No.	STOCK No.	DESCRIPTION
43	YTJ2/HD-LONG-43	75526	Steel ball.
44	YTJ2/HD-LONG-44	75527	Screw.
45	YTJ2/HD-LONG-45	75528	Steel ball.
46	YTJ2/HD-LONG-46	75529	Valve seat.
47	YTJ2/HD-LONG-47	75530	Spring.
48	YTJ2/HD-LONG-48	75531	Pressure screw.
49	YTJ2/HD-LONG-49	75532	Washer.
50	YTJ2/HD-LONG-50	75533	Safety valve screw.
51	YTJ2/HD-LONG-51	75534	Washer.
52	YTJ2/HD-LONG-52	75535	Spring.
53	YTJ2/HD-LONG-53	75536	Spring.
54	YTJ2/HD-LONG-54	75537	Rear shaft.
55	YTJ2/HD-LONG-55	75538	Circlip.
56	YTJ2/HD-LONG-56	75539	Bolt.
57	YTJ2/HD-LONG-57	75540	Pedal link.
58	YTJ2/HD-LONG-58	75541	Nut.
59	YTJ2/HD-LONG-59	75542	Foot pedal.
60	YTJ2/HD-LONG-60	75544	Bolt.
61	YTJ2/HD-LONG-61	75545	Shaft.
62	YTJ2/HD-LONG-62	75555	Bolt.
63	YTJ2/HD-LONG-63	75556	Handle socket.
64	YTJ2/HD-LONG-64	75557	Washer.
65	YTJ2/HD-LONG-65	75558	Nut.
66	YTJ2/HD-LONG-66	75559	Control rod.
67	YTJ2/HD-LONG-67	75560	Pin.
68	YTJ2/HD-LONG-68	75561	Control rod.
69	YTJ2/HD-LONG-69	75562	Handle.
70	YTJ2/HD-LONG-70	75563	Handle sleeve.
71	YTJ2/HD-LONG-71	75564	Handle dial.
72	YTJ2/HD-LONG-72	75565	Pin.
73	YTJ2/HD-LONG-73	75566	Spring.
74	YTJ2/HD-LONG-74	75567	Top cover.
75	YTJ2/HD-LONG-75	75568	Pin.
76	YTJ2/HD-LONG-76	75569	Oil nipple.
77	YTJ2/HD-LONG-77	75570	Arm shaft.
78	YTJ2/HD-LONG-78	75571	Connection rod.
79	YTJ2/HD-LONG-79	75572	Arm assembly.
80	YTJ2/HD-LONG-80	75573	Arm pin.
81	YTJ2/HD-LONG-81	75574	Shaft.
82	YTJ2/HD-LONG-82	75575	Saddle base.
83	YTJ2/HD-LONG-83	75576	Saddle.

Helpline: (023) 8049 4344. Sales Desk: (023) 8049 4333. General Enquiries: (023) 8026 6355.

DRAPER TOOLS LTD, HURSLEY ROAD, CHANDLER'S FORD, EASTLEIGH, HANTS. SO53 1YF. U.K. internet: www.draper.co.uk e-mail: sales@drapertools.com

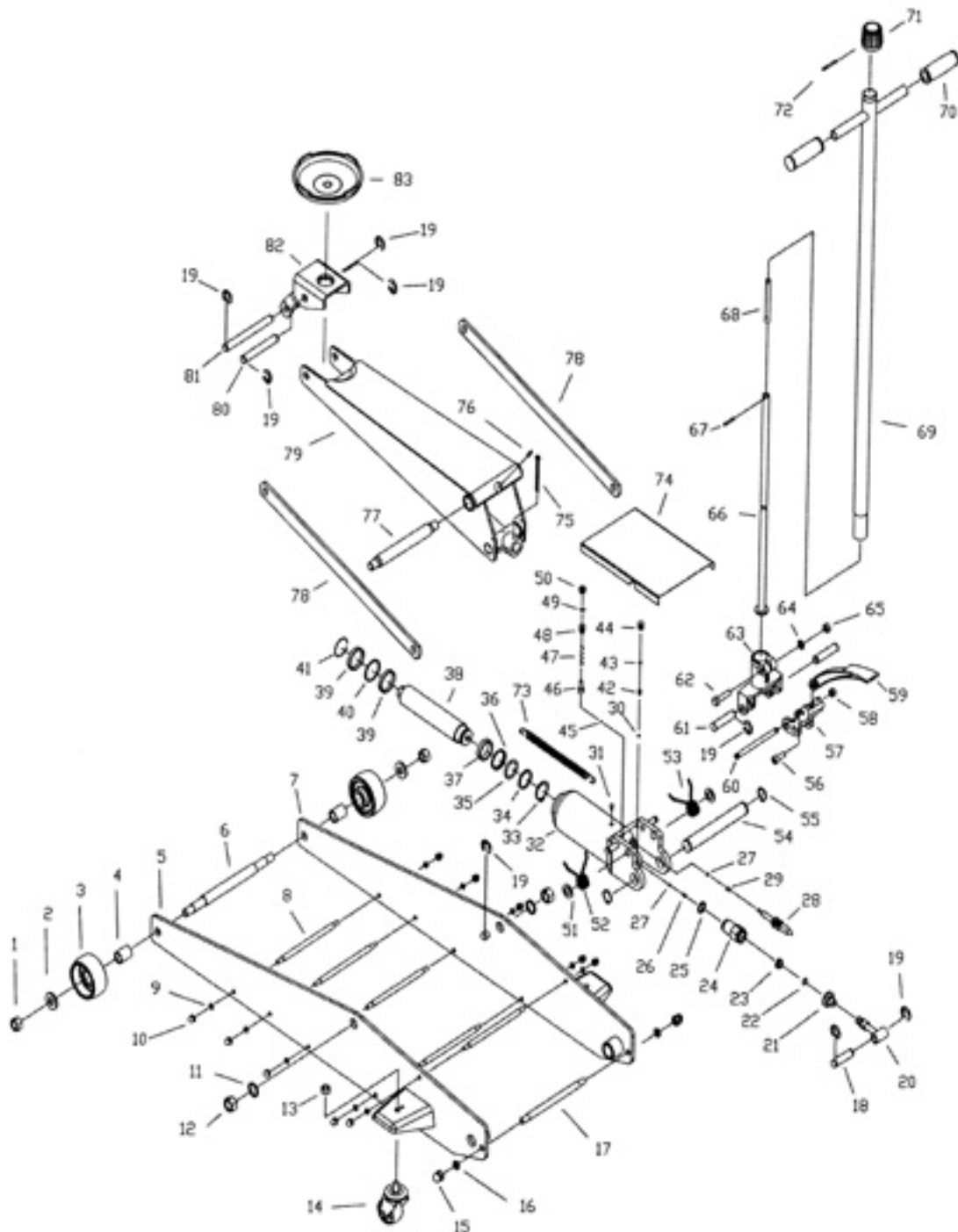


SPARE PARTS DRAWING SHEET FOR

2 Tonne Long Chassis Hydraulic Trolley Jack

Stock No.48349

Part No.TJ2/HD-LONG



Helpline: (023) 8049 4344. **Sales Desk:** (023) 8049 4333. **General Enquiries:** (023) 8026 6355.

DRAPER TOOLS LTD, HURSLEY ROAD, CHANDLER'S FORD, EASTLEIGH, HANTS. SO53 1YF. U.K. internet: www.draper.co.uk e-mail: sales@drapertools.com