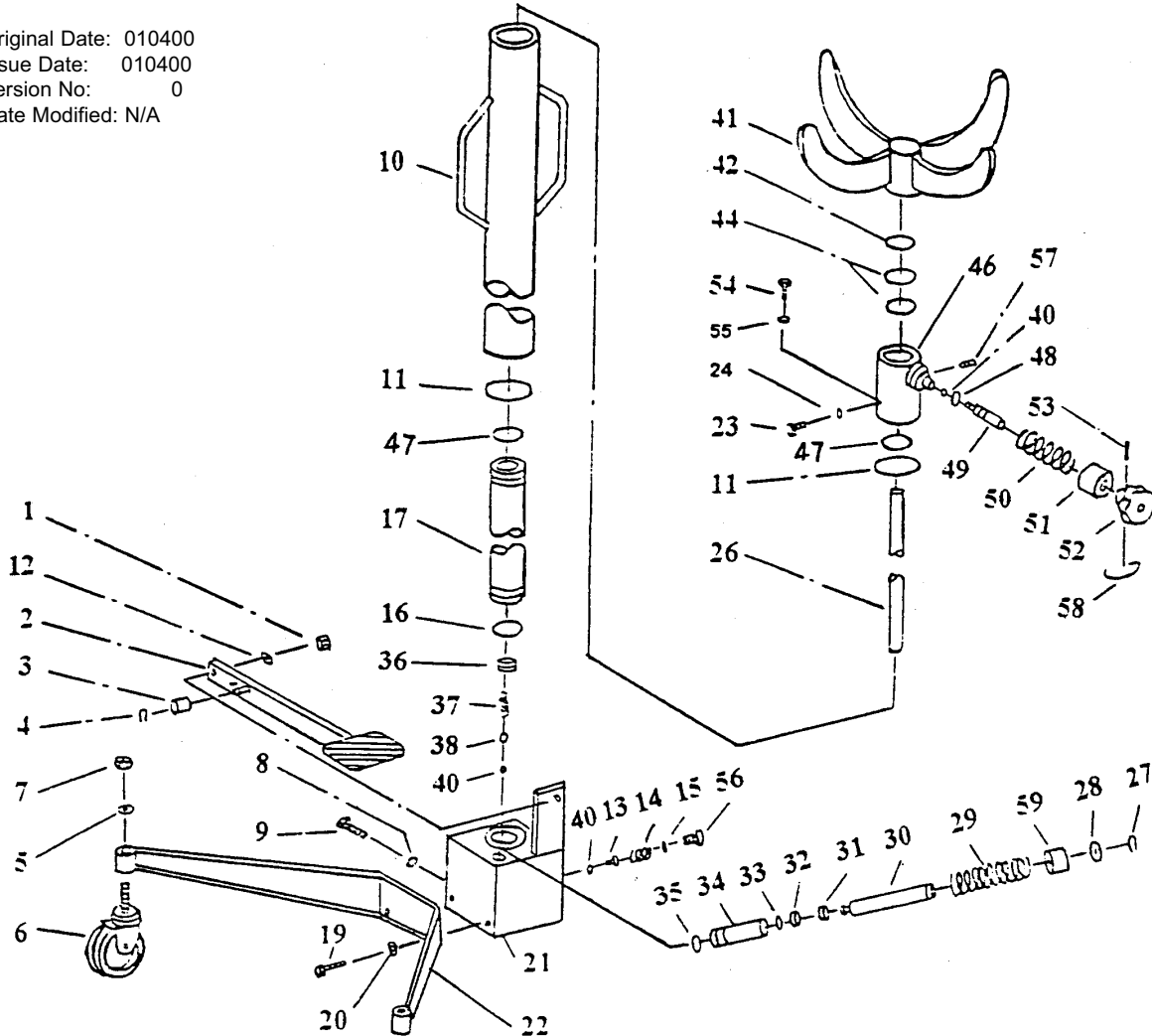


Original Date: 010400
Issue Date: 010400
Version No: 0
Date Modified: N/A



Item	Part No.	Description
1	300TR/01	NUT , M10
2	300TR/02	PEDAL
3	300TR/03	BUSH
4	300TR/04	CIRCLIP 12
5	300TR/05	WASHER 12
6	300TR/06	SWIVEL WHEEL
7	300TR/07	NUT , M12
8	300TR/08	O-RING
9	300TR/09	SCREW
10	300TR/10	RESEIVOIR
11	300TR/11	O-RING
12	300TR/12	WASHER 10
13	300TR/13	SPRING GUIDE
14	300TR/14	SPRING
15	300TR/15	O-RING
16	300TR/16	O-RING
17	300TR/17	CYLINDER
19	300TR/19	BOLT M10*20
20	300TR/20	WASHER 10
21	300TR/21	PUMP
22	300TR/22	UNDER CARRIAGE
23	300TR/23	BOLT
24	300TR/24	O-RING
26	300TR/26	PISTON
27	300TR/27	CIRCLIP 16
28	300TR/28	WASHER
29	300TR/29	SPRING
30	300TR/30	PUMP PISTON

Item	Part No.	Description
31	300TR/31	V-RING
32	300TR/32	DUST RING
33	300TR/33	O-RING
34	300TR/34	PUMP UNIT
35	300TR/35	O-RING
36	300TR/36	SCREW
37	300TR/37	SPRING
38	300TR/38	BALL 9.5
40	300TR/40	BALL 1/4"
41	300TR/41	FORK or ADT
42	300TR/42	DUST RING
44	300TR/44	O-RING
46	300TR/46	CLINDER HEAD
47	300TR/47	O-RING
48	300TR/48	O-RING
49	300TR/49	RELEASE ROD
50	300TR/50	SPRING
51	300TR/51	BUSH
52	300TR/52	RELEASE KNOB
53	300TR/53	SPLIT PIN
54	300TR/54	BOLT
55	300TR/55	SEAL
56	300TR/56	SCREW
57	300TR/57	SCREW M6*12
58	300TR/58	CIRCLIP
59	300TR/59	BUSH
60	300TR/60	REST

Item	Part No.	Description
61	300TR/61	SPLIT PIN
62	300TR/62	SHAFT
63	300TR/63	CIRCLIP
65	300TR/65	SCREW
66	300TR/66	SHAFT
67	300TR/67	SCREW ROD
68	300TR/68	NUT M12
69	300TR/69	BEARING
70	300TR/70	SHAFT
71	300TR/71	CIRCLIP
72	300TR/72	ANGLE
73	300TR/73	BOLT M10*35
74	300TR/74	WASHER
75	300TR/75	NUT M10
76	300TR/76	WASHER 10
77	300TR/77	PLATE
78	300TR/78	BOLT M10*25
79	300TR/79	BOLT M8*25
80	300TR/80	WASHER 8
82	300TR/82	BAR
83	300TR/83	SCREW
84	300TR/84	FLY NUT
85	300TR/85	CHAIN

NOTE: It is our policy to continually improve products and as such we reserve the right to alter data, specifications and component parts without prior notice.



01284 757500



01284 703534

E-mail: sales@sealey.co.uk