

Issue: 1  
 Issue Date: 010513

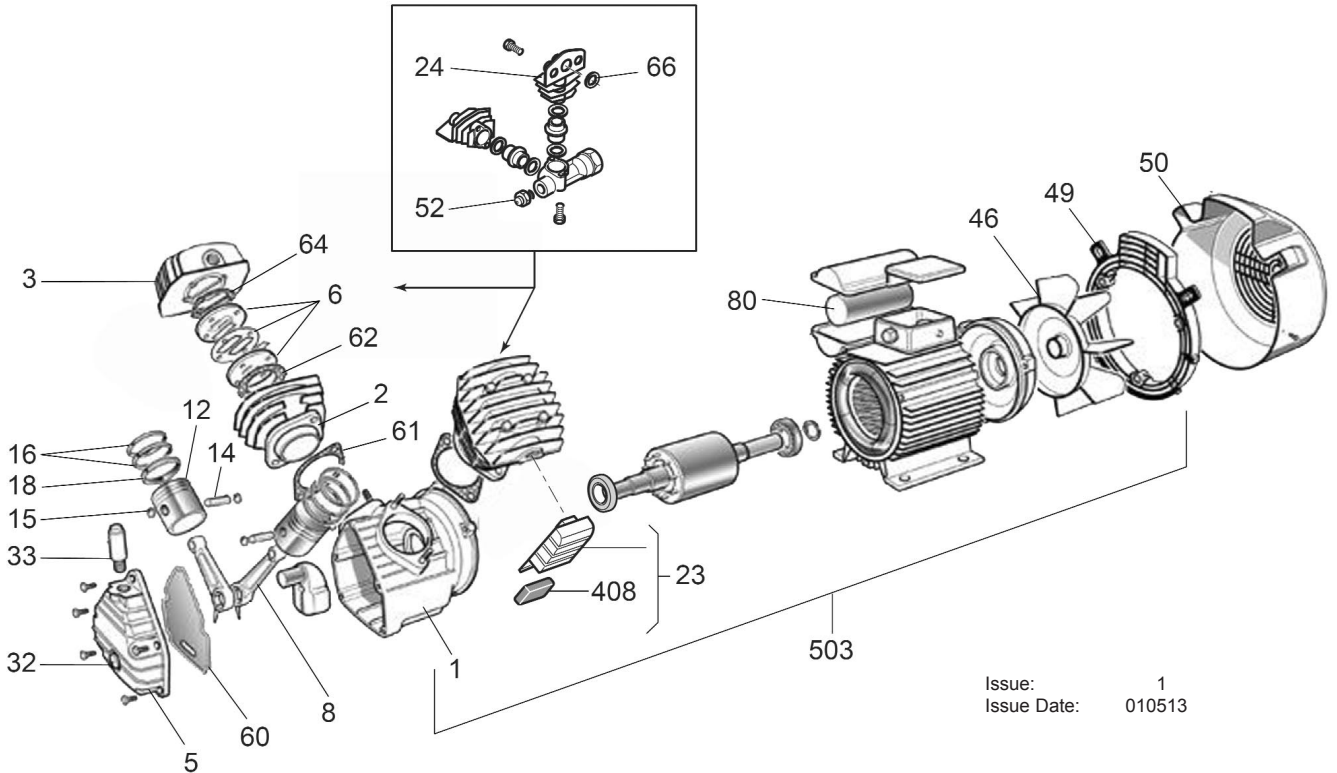
ITEM	PART NO	DESCRIPTION
105	SAC9048075	NON RETURN VALVE
106	SAC9047073	COUPLING 1/4"
107	SAC9047079	DRAIN VALVE
108	SAC9051199	PRESSURE REDUCER
109	SAC9052172	GAUGE d.50 1/4"
--	SAC9052162	GAUGE d.40 1/8"
110	SAC9049152	SAFETY VALVE 1/4"
112	SAC9050636	ELBOW 1/2"
116	SAC9038469	HANDLE PLUG
127	SAC9270006	RILSAN PIPE
131	SAC9063254	PRESSURE SWITCH 3/8"
132	SAC9065937	PRESSURE SWITCH CORD
145	SAC9043590	SENDING PIPE
300	SAC9420379	KIT WHEEL (SAC05030 ONLY)
500	SAC9050550	EXTENSION
501	SAC9050519	JOINT 1/4"
502	SAC9050619	PLUG 1/2"
503	SAC9047074	COUPLING 1/2"
--	SAC10030V2.P	PUMP ASSEMBLY (VERSION 2)

**NOTE:** It is our policy to continually improve products and as such we reserve the right to alter data, specifications and component parts without prior notice.

**IMPORTANT:** No liability is accepted for incorrect use of product.

**WARRANTY:** Guarantee is 12 months from purchase date, proof of which will be required for any claim.

**INFORMATION:** For a copy of our latest catalogue and promotions call us on 01284 757525 and leave your full name and address, including postcode.



Issue: 1  
 Issue Date: 010513

ITEM	PART NO	DESCRIPTION	ITEM	PART NO	DESCRIPTION
1	SACN000643	CRANKCASE	33	SAC9038708	OIL FILLER PLUG
2	SAC9606202	CYLINDER	46	SAC9038397	FAN
3	SAC9417275	PUMP HEAD	49	SAC9606117	GRILL
5	SACK61300	COVER	50	SAC9038709	FAN COVER
6	SAC9411032	VALVE PLATE ASS'Y	52	SAC9049507	DISCHARGE VALVE 1/4"
8	SAC9606204	CONROD X VDC	60	SAC9606203	GASKET COVER
12	SAC9606205	PISTON	61	SACK50200	CRANKCASE GASKET
14	SAC9606206	PISTON PIN	62	SAC9411057	VALVE PLATE GASKET
15	SAC9411067	SEEGER RING	64	SAC4106546	VALVE HEAD GASKET
16	SAC9411019	SEAL	66	SAC4100109	O-RING
18	SAC9411020	PISTON RING	80	SAC9067055	CAPACITOR
23	SAC9417276	AIR FILTER	408	SAC9417278	FILTER ELEMENT
24	SAC9417270	JOINT COLLECTOR	503	SAC9606212	ROTOR & STATOR ASS'Y
32	SAC9022001	OIL LEVEL	--	SAC10030.01	OIL SEAL (not shown)

**NOTE:** It is our policy to continually improve products and as such we reserve the right to alter data, specifications and component parts without prior notice.

**IMPORTANT:** No liability is accepted for incorrect use of product.

**WARRANTY:** Guarantee is 12 months from purchase date, proof of which will be required for any claim.

**INFORMATION:** For a copy of our latest catalogue and promotions call us on 01284 757525 and leave your full name and address, including postcode.