

Issue: 1
 Issue Date: 220509

ITEM	PART NO	DESCRIPTION	ITEM	PART NO	DESCRIPTION
1	SA2415.01	PUMP COMPLETE	61	SA2415.61	RILSAN HOSE
1A	SA2415.01A	OIL DIPSTICK (c/w O-RING)	62	SA2415.62	NUT
50	SA2415.50	TANK	63	SA2415.63	INFEED HOSE (SA2415 only)
51	SA2415.51	PLUG	64	SA2415.64	INFEED HOSE (SA5020 only)
52	SA2415.52	RUBBER FOOT d:20 (SA2415 only)	65	SA2415.65	NUT
	SA5020.52	RUBBER FOOT d:25 (SA5020 only)	66	SA2415.66	OLIVE
53	SA2415.53	TAP 3/8"	67	SA2415.67	SAFETY VALVE 9Bar
54	SA2415.54	WHEEL d:125 (SA2415 only)	68	SA2415.68	PRESSURE SWITCH
	SA5020.54	WHEEL d:150 (SA5020 only)	69	SA2415.69	JOINT 1/4"
55	SA2415.55	SCREW M10x60 (SA2415 only)	70	SA2415.70	PRESSURE REDUCER
	SA5020.55	SCREW M10x75 (SA5020 only)	71	SA2415.71	COUPLING
56	SA2415.56	NUT M10	72	SA2415.72	PRESSURE GAUGE d:50 (for switch)
57	SA2415.57	WASHER	100	SA2415.100	PRESSURE GAUGE d:40 (for reducer)
58	SA2415.58	SCREW 5x20			PRESSURE SWITCH KIT
60	SA2415.60	NON-RETURN VALVE			

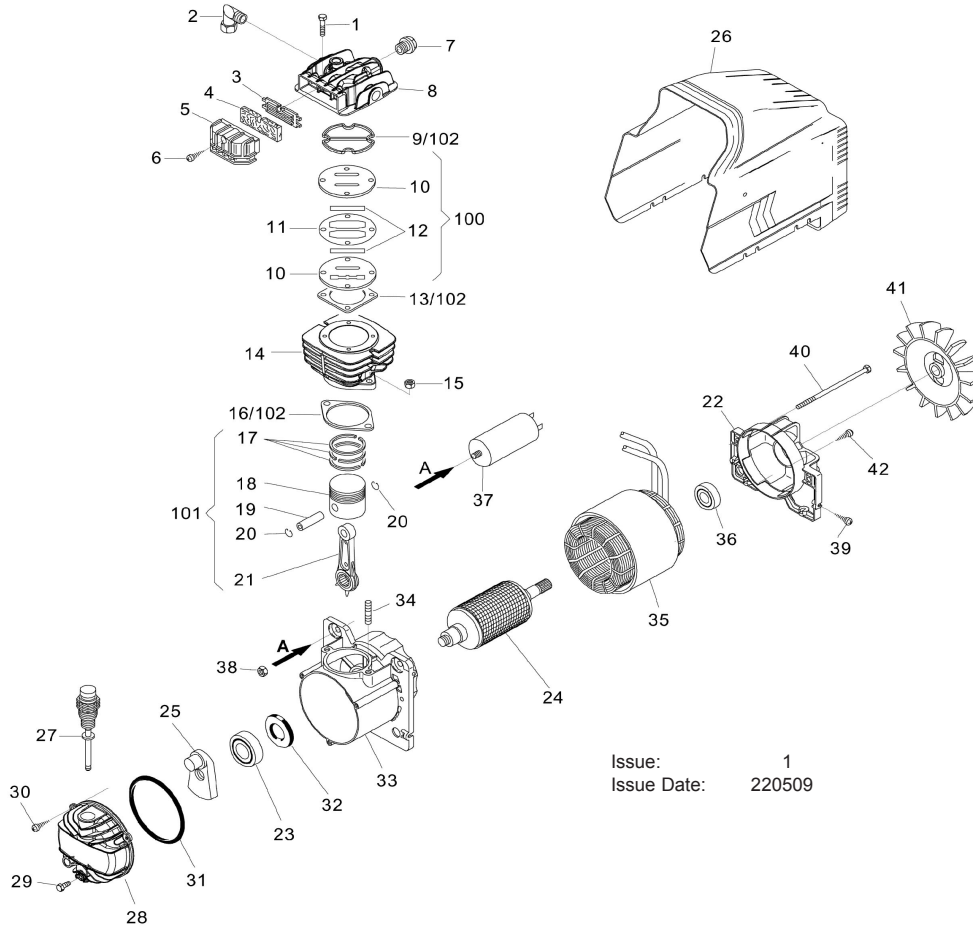
NOTE: It is our policy to continually improve products and as such we reserve the right to alter data, specifications and component parts without prior notice.

IMPORTANT: No liability is accepted for incorrect use of product.

WARRANTY: Guarantee is 12 months from purchase date, proof of which will be required for any claim.

INFORMATION: For a copy of our latest catalogue and promotions call us on 01284 757525 and leave your full name and address, including postcode.

PUMP PARTS



Issue: 1
 Issue Date: 220509

ITEM	PART NO	DESCRIPTION	ITEM	PART NO	DESCRIPTION
1	SA2415.P01	SCREW (M6x40)	23	SA2415.P23	BEARING (6204)
1A	SA2415.P01A	WASHER	24	SA2415.P24	CRANKSHAFT WITH ROTOR
2	SA2415.P02	JOINT	25	SA2415.P25	CRANKSHAFT
3	SA2415.P03	PLATE	26	SA2415.P26	PUMP COVER
4	SA2415.P04	FILTER ELEMENT	27	SA2415.P27	OIL DIPSTICK
5	SA2415.P05	INTAKE FILTER	28	SA2415.P28	END COVER
6	SA2415.P06	SCREW (3.9x16)	29	SA2415.P29	SCREW (M6x12)
7	SA2415.P07	VALVE	30	SA2415.P30	SCREW (5x15)
8	SA2415.P08	HEAD	31	SA2415.P31	O-RING
9	SA2415.P09	GASKET	32	SA2415.P32	OIL SEAL
10	SA2415.P10	VALVE PLATE	33	SA2415.P33	CRANKCASE
11	SA2415.P11	GASKET	34	SA2415.P34	STUD BOLT
12	SA2415.P12	VALVE	35	SA2415.P35	MOTOR
13	SA2415.P13	GASKET	36	SA2415.P36	BEARING (6203)
14	SA2415.P14	CYLINDER	37	SA2415.P37	CAPACITOR (25uF)
15	SA2415.P15	NUT (M8)	38	SA2415.P38	NUT (M8)
16	SA2415.P16	GASKET	39	SA2415.P39	SCREW (M5x20)
17	SA2415.P17	PISTON RINGS SET	40	SA2415.P40	TENSION ROD
18	SA2415.P18	PISTON	41	SA2415.P41	FAN
19	SA2415.P19	PISTON PIN	42	SA2415.P42	SCREW (M4x8)
20	SA2415.P20	SEEGER RING	100	SA2415.P100	VALVE KIT
21	SA2415.P21	CON-ROD	101	SA2415.P101	CON-ROD/PISTON KIT
22	SA2415.P22	COVER	102	SA2415.P102	GASKET KITS

NOTE: It is our policy to continually improve products and as such we reserve the right to alter data, specifications and component parts without prior notice.

IMPORTANT: No liability is accepted for incorrect use of product.

WARRANTY: Guarantee is 12 months from purchase date, proof of which will be required for any claim.

INFORMATION: For a copy of our latest catalogue and promotions call us on 01284 757525 and leave your full name and address, including postcode.