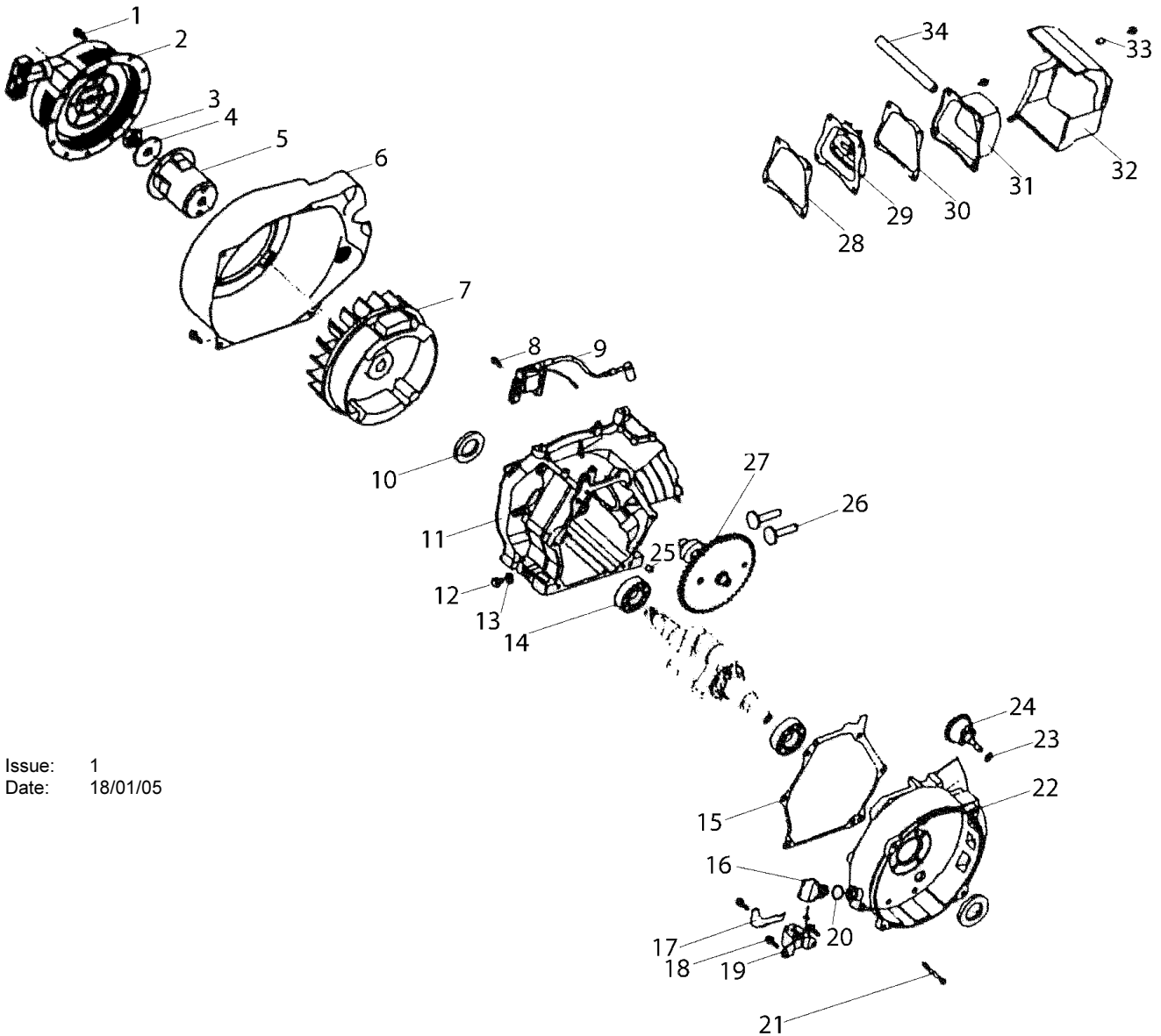


CRANK CASE & FLYWHEEL

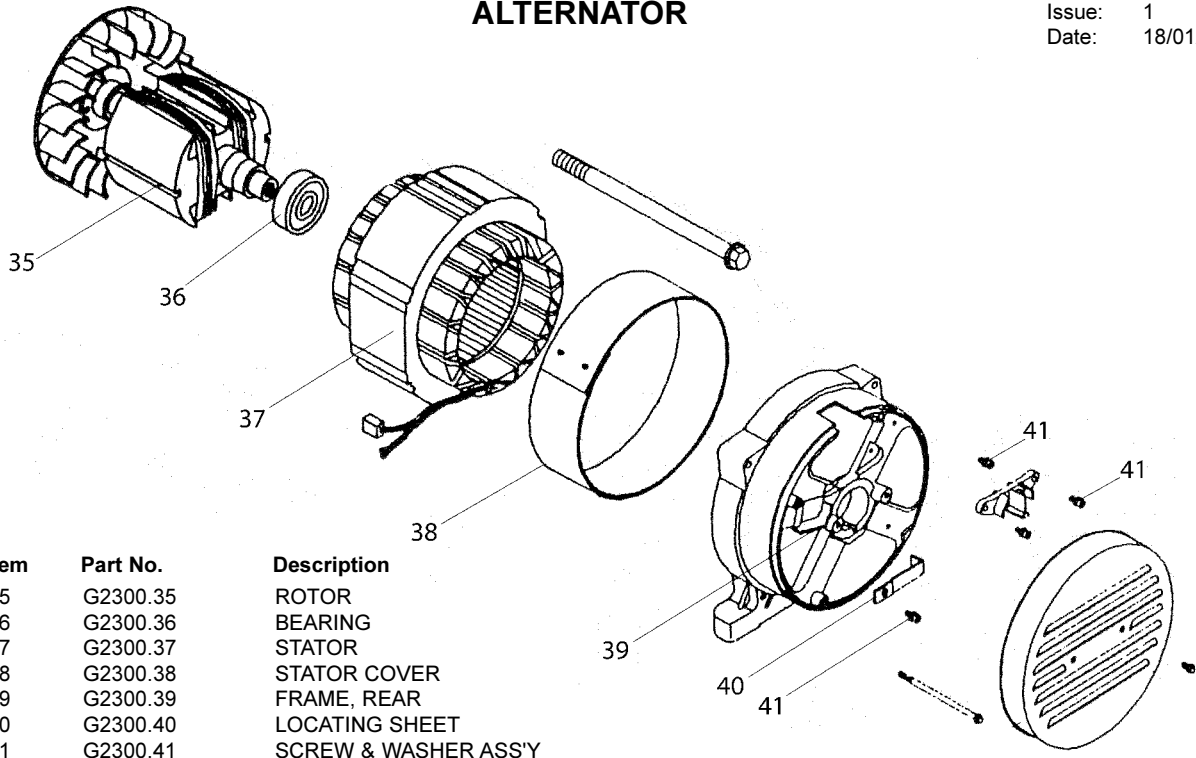


Issue: 1
 Date: 18/01/05

Item	Part No.	Description	Item	Part No.	Description
1	G2300.01	HEXAGON BOLT C/W FLANGE	18	G2300.18	HEXAGON BOLT C/W FLANGE
2	G2300.02	RECOIL STARTER	19	G2300.19	OIL LEVEL GAUGE
3	G2300.03	VALVE	20	G2300.20	RING SEAL
4	G2300.04	GASKET	21	G2300.21	HEXAGON BOLT C/W FLANGE
5	G2300.05	STARTER PULLEY	22	G2300.22	CRANKCASE COVER
6	G2300.06	WIND LEADER	23	G2300.23	WASHER
7	G2300.07	FLYWHEEL	24	G2300.24	SPEED REGULATING WHEEL
8	G2300.08	HEXAGON BOLT C/W FLANGE	25	G2300.25	LOCATING RING
9	G2300.09	IGNITOR	26	G2300.26	VALVE LIFTER
10	G2300.10	OIL SEAL	27	G2300.27	CAMSHAFT
11	G2300.11	CRANKCASE	28	G2300.28	GASKET
12	G2300.12	BOLT M10x1.5x16	29	G2300.29	INSIDE SHEET
13	G2300.13	WASHER	30	G2300.30	GASKET
14	G2300.14	GASKET	31	G2300.31	CYLINDER HEAD COVER
15	G2300.15	GASKET	32	G2300.32	CYLINDER SHROUD
16	G2300.16	OIL COVER	33	G2300.33	BUSH
17	G2300.17	LOCATING SHEET	34	G2300.34	GAS PIPE

ALTERNATOR

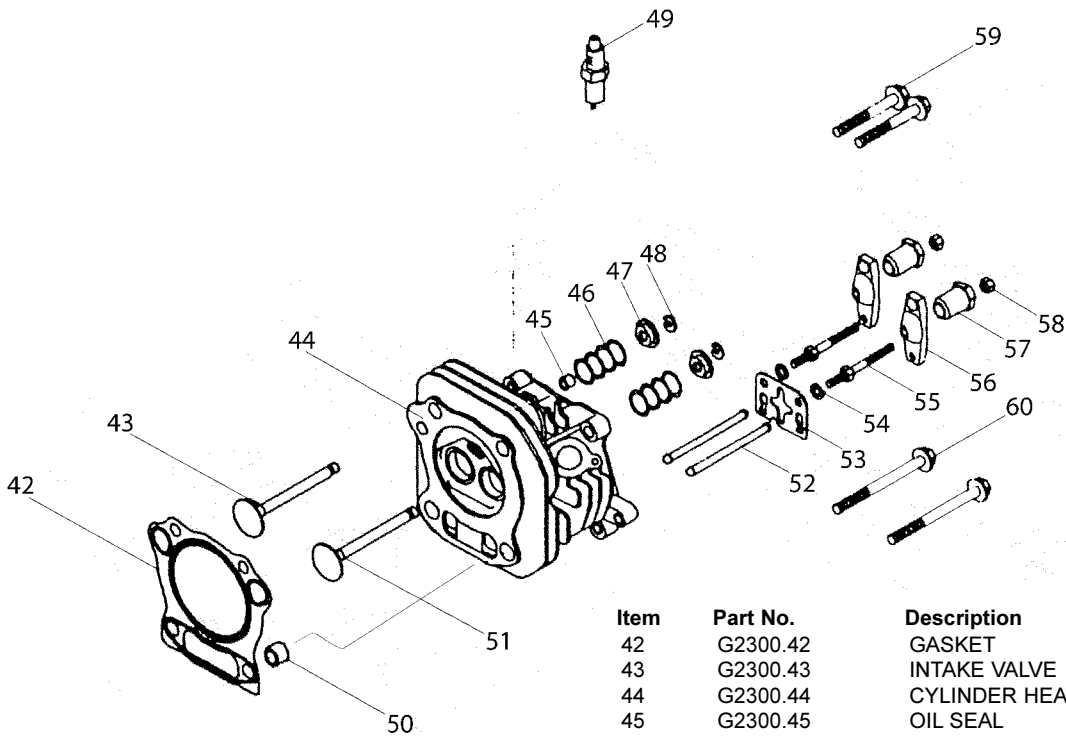
Issue: 1
Date: 18/01/05



Item	Part No.	Description
35	G2300.35	ROTOR
36	G2300.36	BEARING
37	G2300.37	STATOR
38	G2300.38	STATOR COVER
39	G2300.39	FRAME, REAR
40	G2300.40	LOCATING SHEET
41	G2300.41	SCREW & WASHER ASS'Y

CYLINDER HEAD

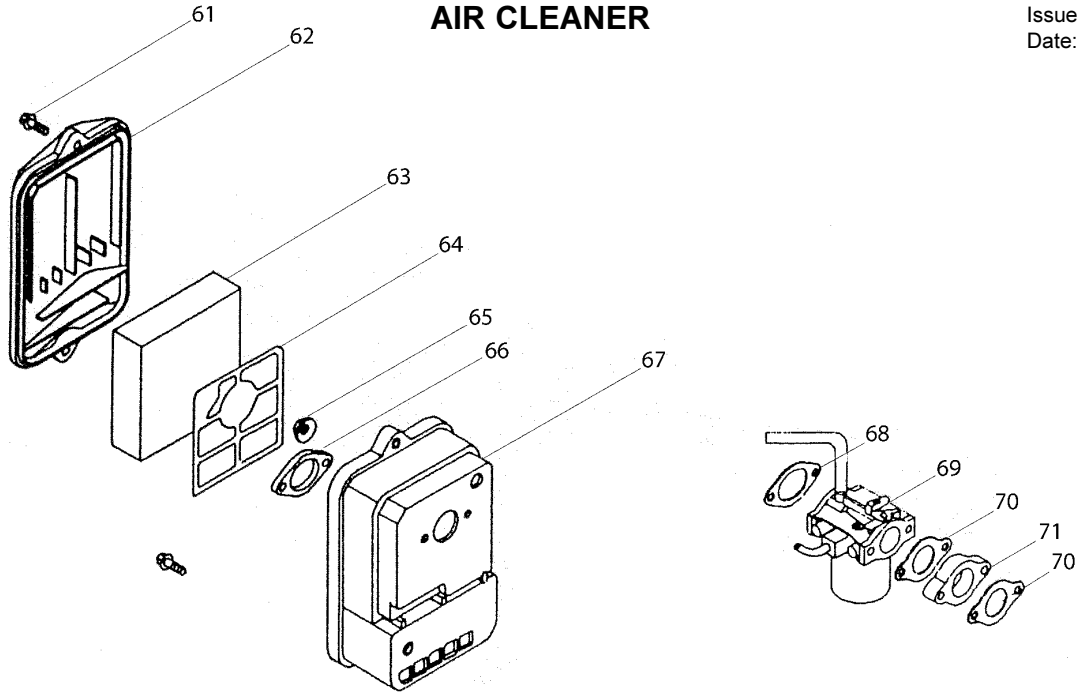
Issue: 1
Date: 18/01/05



Item	Part No.	Description
42	G2300.42	GASKET
43	G2300.43	INTAKE VALVE
44	G2300.44	CYLINDER HEAD
45	G2300.45	OIL SEAL
46	G2300.46	VALVE SPRING
47	G2300.47	VALVE RETAINER
48	G2300.48	VALVE COTTER
49	G2300.49	SPARK PLUG
50	G2300.50	PISTON PIN
51	G2300.51	EXHAUST VALVE
52	G2300.52	PUSH ROD
53	G2300.53	PUSH ROD GUIDE
54	G2300.54	WASHER
55	G2300.55	BOLT
56	G2300.56	ROCKER ARM
57	G2300.57	ADJUSTER
58	G2300.58	HEXAGON BOLT
59	G2300.59	HEXAGON BOLT C/W FLANGE
60	G2300.60	HEXAGON BOLT C/W FLANGE

AIR CLEANER

Issue: 1
Date: 18/01/05

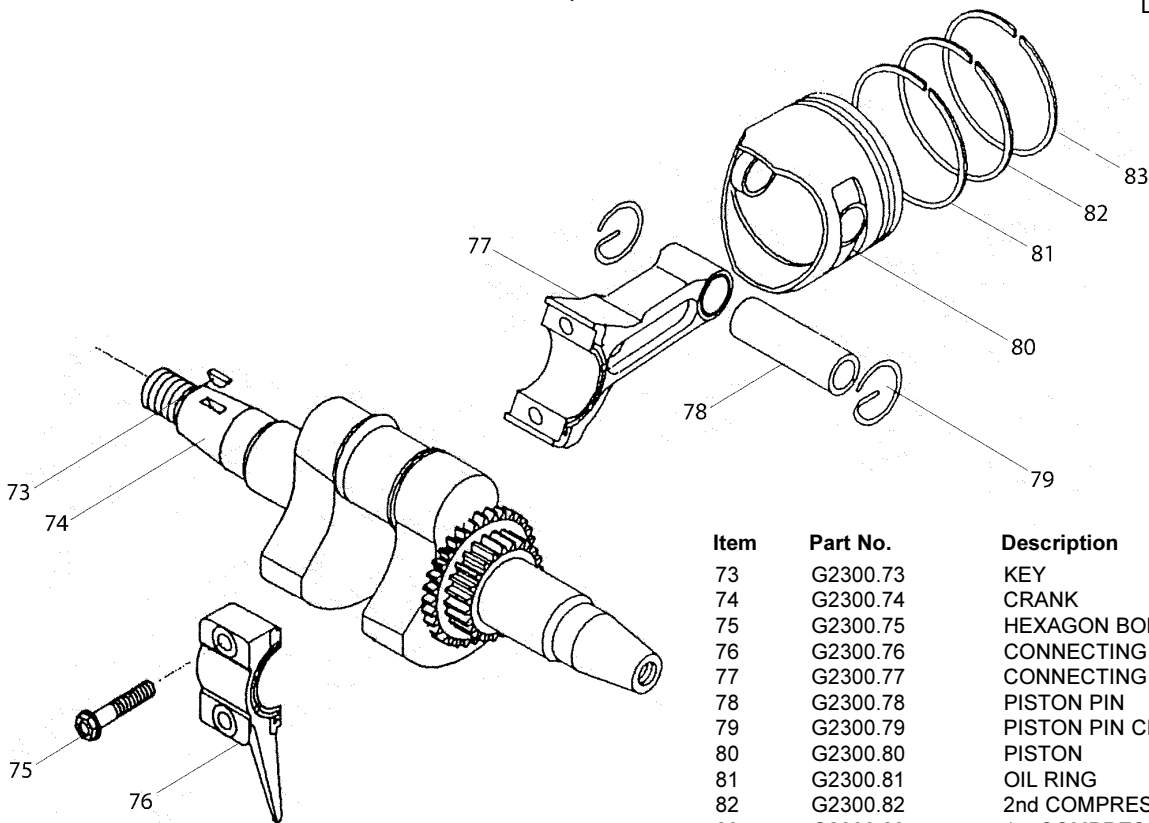


Item	Part No.	Description
61	G2300.61	CROSS HEAD SCREW
62	G2300.62	AIR FILTER COVER
63	G2300.63	AIR FILTER
64	G2300.64	ELEMENT FITTING PLATE
65	G2300.65	HEXAGON NUT
66	G2300.66	PLATE
67	G2300.67	AIR FILTER CASE
68	G2300.68	GASKET
69	G2300.69	CARBURETTOR
70	G2300.70	GASKET
71	G2300.71	GASKET
72	G2300.72	STUD M6x85



PISTON, CON ROD & CRANK

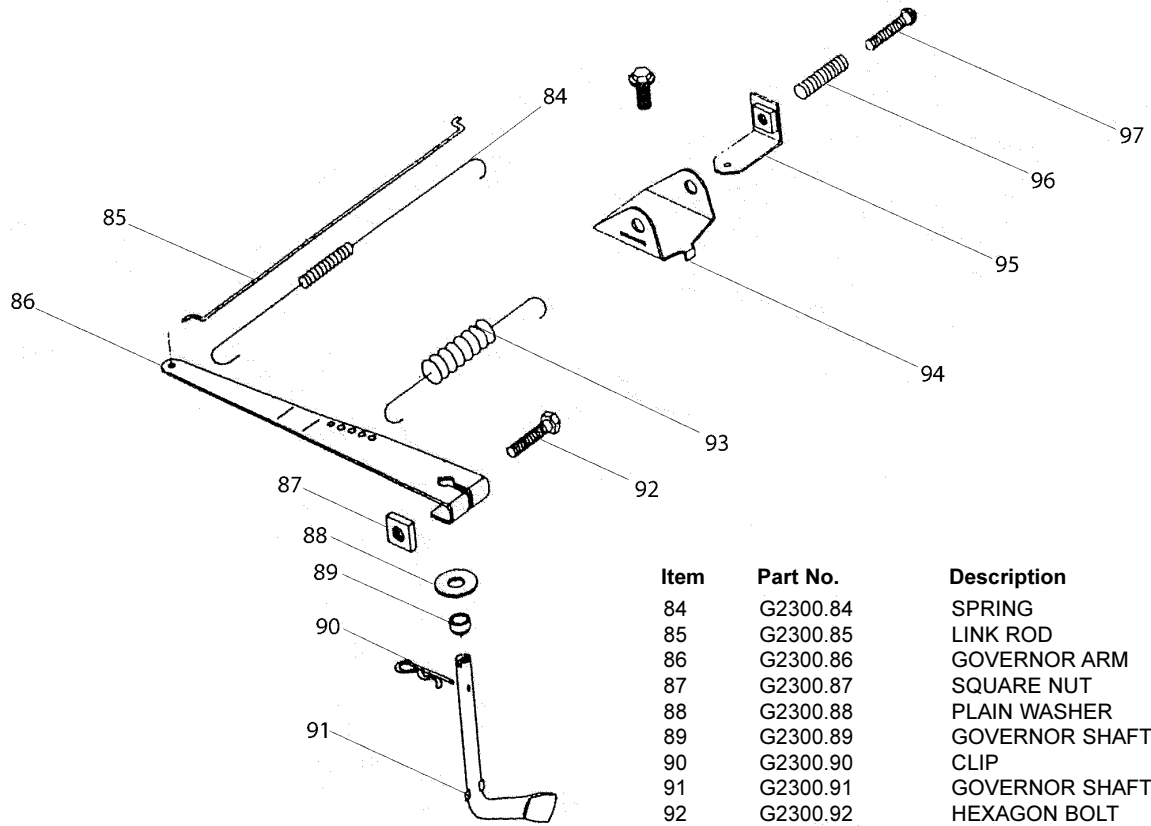
Issue: 1
Date: 18/01/05



Item	Part No.	Description
73	G2300.73	KEY
74	G2300.74	CRANK
75	G2300.75	HEXAGON BOLT C/W FLANGE
76	G2300.76	CONNECTING ROD CAP
77	G2300.77	CONNECTING ROD
78	G2300.78	PISTON PIN
79	G2300.79	PISTON PIN CIRCLIP
80	G2300.80	PISTON
81	G2300.81	OIL RING
82	G2300.82	2nd COMPRESSION RING
83	G2300.83	1st COMPRESSION RING

GOVERNOR ARM

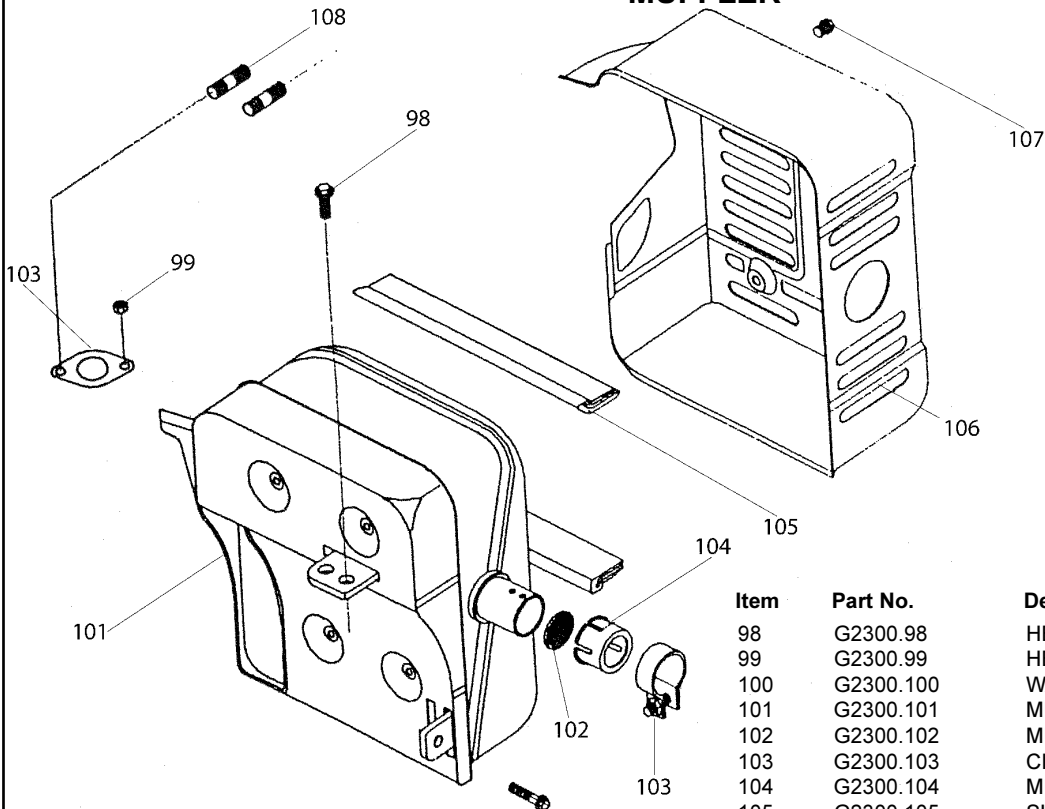
Issue: 1
Date: 18/01/05



Item	Part No.	Description
84	G2300.84	SPRING
85	G2300.85	LINK ROD
86	G2300.86	GOVERNOR ARM
87	G2300.87	SQUARE NUT
88	G2300.88	PLAIN WASHER
89	G2300.89	GOVERNOR SHAFT SEAL
90	G2300.90	CLIP
91	G2300.91	GOVERNOR SHAFT
92	G2300.92	HEXAGON BOLT
93	G2300.93	SPRING
94	G2300.94	ADJUST PLATE
95	G2300.95	ADJUST BRACKET
96	G2300.96	SPRING
97	G2300.97	CROSS HEAD SCREW

MUFFLER

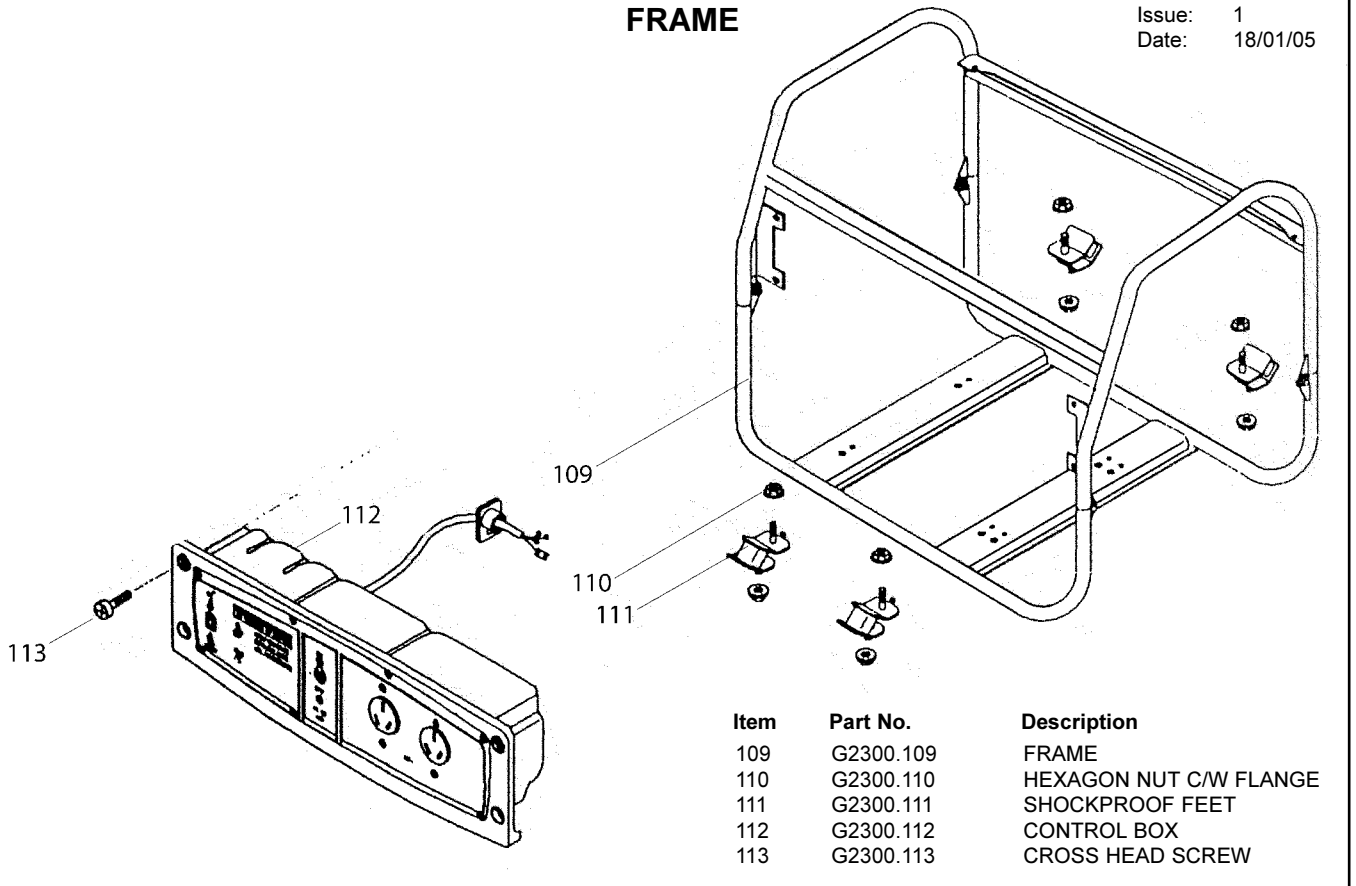
Issue: 1
Date: 18/01/05



Item	Part No.	Description
98	G2300.98	HEXAGON BOLT C/W FLANGE
99	G2300.99	HEXAGON NUT
100	G2300.100	WASHER
101	G2300.101	MUFFLER
102	G2300.102	MUFFLER NETTING
103	G2300.103	CIRCLIP, HOOP
104	G2300.104	MUFFLER SCREEN
105	G2300.105	SHOCKPROOF BAR
106	G2300.106	MUFFLER COVER
107	G2300.107	HEXAGON BOLT C/W FLANGE
108	G2300.108	STUD M6x25

FRAME

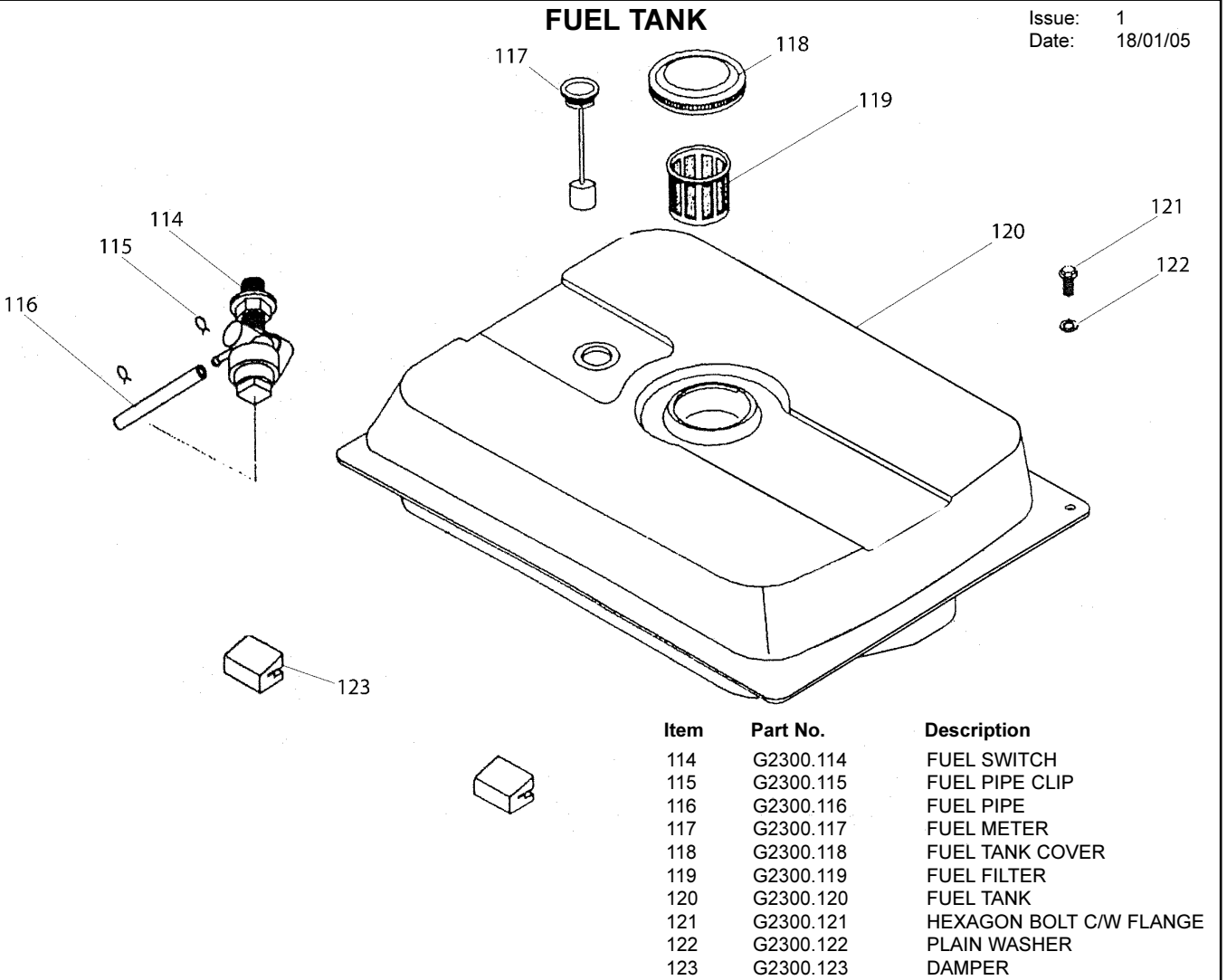
Issue: 1
Date: 18/01/05



Item	Part No.	Description
109	G2300.109	FRAME
110	G2300.110	HEXAGON NUT C/W FLANGE
111	G2300.111	SHOCKPROOF FEET
112	G2300.112	CONTROL BOX
113	G2300.113	CROSS HEAD SCREW

FUEL TANK

Issue: 1
Date: 18/01/05



Item	Part No.	Description
114	G2300.114	FUEL SWITCH
115	G2300.115	FUEL PIPE CLIP
116	G2300.116	FUEL PIPE
117	G2300.117	FUEL METER
118	G2300.118	FUEL TANK COVER
119	G2300.119	FUEL FILTER
120	G2300.120	FUEL TANK
121	G2300.121	HEXAGON BOLT C/W FLANGE
122	G2300.122	PLAIN WASHER
123	G2300.123	DAMPER