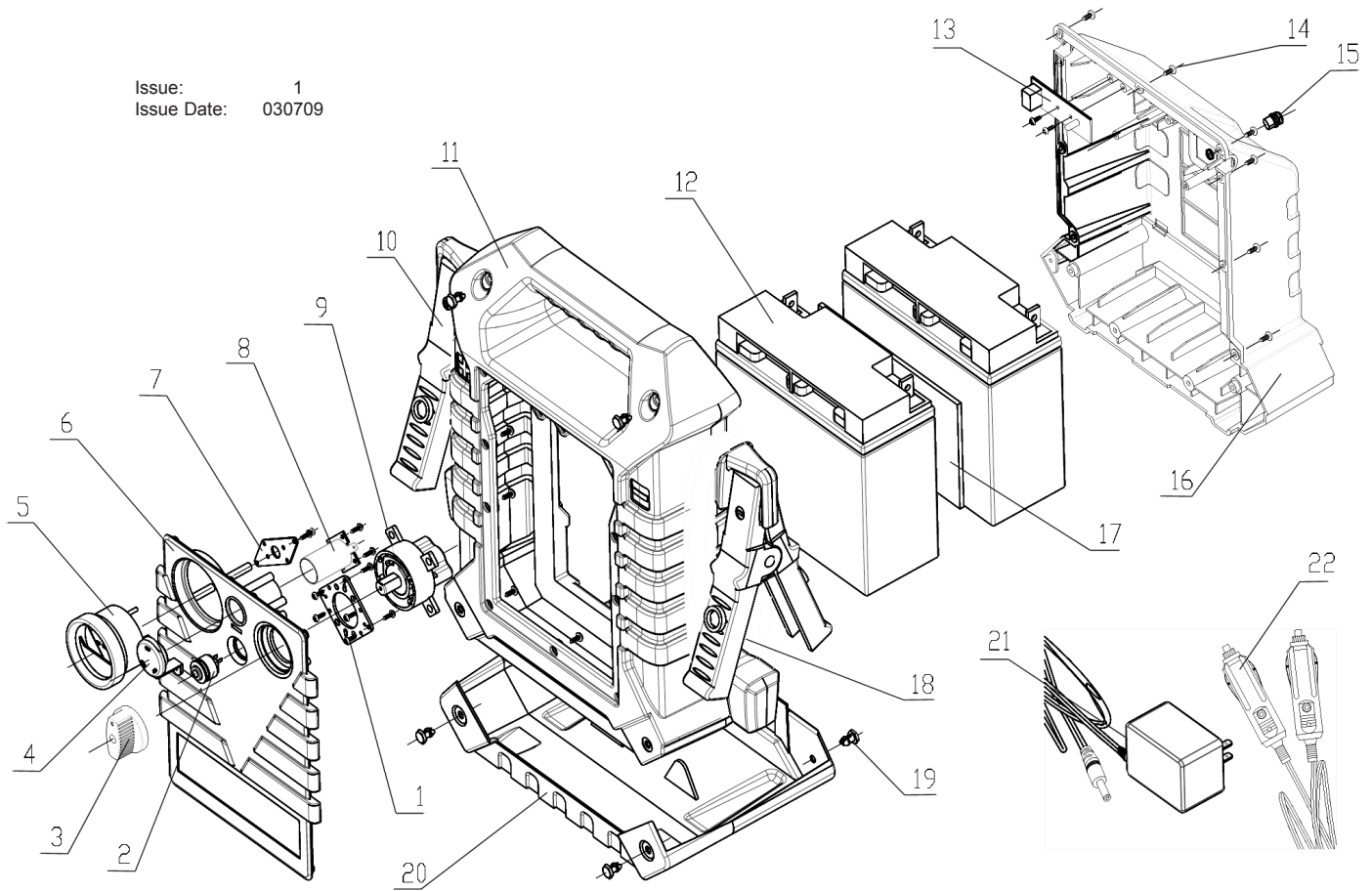


Issue: 1  
 Issue Date: 030709



ITEM	PART NO	DESCRIPTION
1	RS122.01	ON/OFF SWITCH FIX PLATE
2	RS122.02	VOLTAGE TEST SWITCH
3	RS125.03	ON/OFF SWITCH KNOB
4	RS122.04	CIGARETTE COVER
5	RS122.05	VOLTAGE METER
6	RS125.06	FRONT PANEL
7	RS122.07	VOLTAGE METER FIX PLATE
8	RS122.08	CIGERETTE SOCKET
9	RS125.09	12/24V SWITCH
10	RS125.10+18	CABLE AND CLAMP
11	RS122.11	BODY CASE
12	RS125.12	BATTERY 22AH
13	RS125.13	PCB FOR CHARGING
14	RS125.14	SCREW
15	RS125.15	SOCKET FOR CHARGER
16	RS125.16	REAR HOUSING
17	RS125.17	BOARD FOR BATTERY JOIN
19	RS125.19	SCREW
20	RS125.20	RUBBER CUSHION
21	RS125.C	MAINS CHARGER
22	RS122.27	CIGARETTE CABLE

**NOTE:** It is our policy to continually improve products and as such we reserve the right to alter data, specifications and component parts without prior notice.

**IMPORTANT:** No liability is accepted for incorrect use of product.

**WARRANTY:** Guarantee is 12 months from purchase date, proof of which will be required for any claim.

**INFORMATION:** For a copy of our latest catalogue and promotions call us on 01284 757525 and leave your full name and address, including postcode.