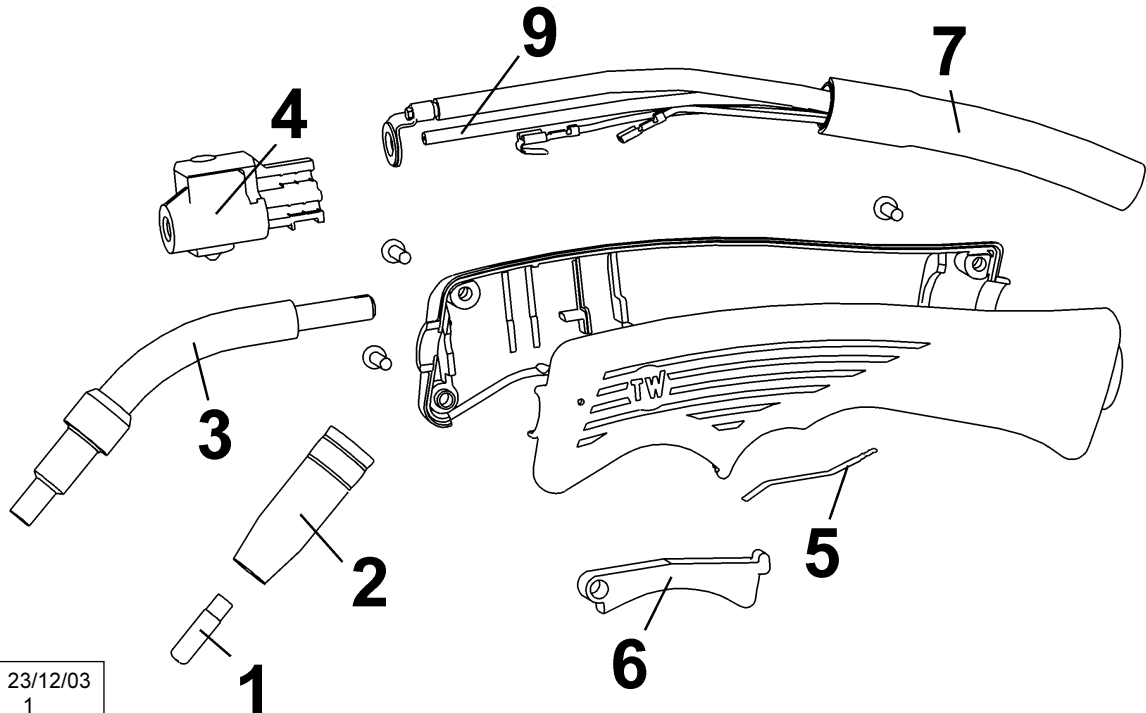


## TORCH PARTS LIST FOR MODELS: SUPERMIG 150.V2, 160.V2, 180.V2

(Please note that the torch for Supermig 180.V2 has a longer cable group & black liner.)



Issue Date: 23/12/03  
Issue No: 1

Item	Part No	Description	Item	Part No	Description
--	120/742901	Torch Complete (150.V2 & 160.V2)	5	120/452090	Contact Spring (180.V2)
--	120/742405	Torch Complete (180.V2)	6	120/322295	Pushbutton
1	120/722415	Contact Tip 0.6	7	120/990600	Cable Group (150.V2 & 160.V2)
1	120/722416	Contact Tip 0.8	7	120/990601	Cable Group (180.V2)
2	120/722423	Conical Nozzle	8	120/990465	Complete Handle
3	120/722078	Insulated Swan Neck	9	120/742412	Black Liner (150.V2 & 160.V2)
4	120/990464	Torch Connection Assy	9	120/722431	Black Liner (180/5) 2.75M
5	120/452097	Contact Spring (150.V2 & 160.V2)	--	120/722050NEV	White Gas Hose

**NOTE:** It is our policy to continually improve products and as such we reserve the right to alter data, specifications and component parts without prior notice.

**IMPORTANT:** No liability is accepted for incorrect use of this equipment

**WARRANTY:** Guarantee is 12 months from purchase date, proof of which will be required for any claim.

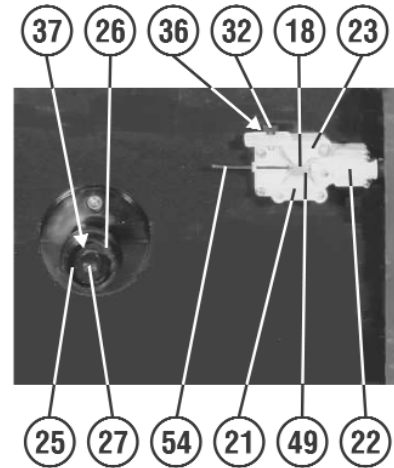
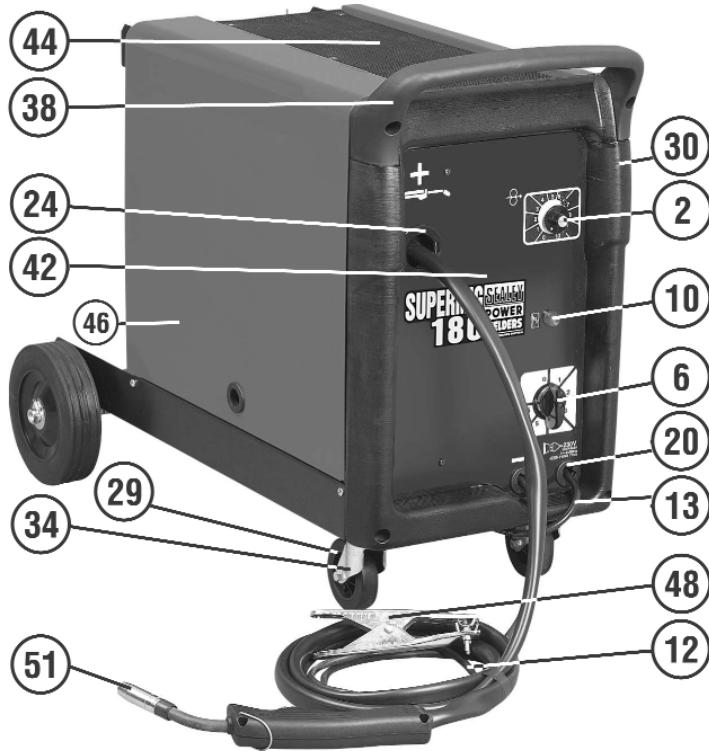
**INFORMATION:** For a copy of our latest catalogue and promotions call us on 01284 757525 and leave your full name and address including your postcode.

**SEALEY POWER WELDERS**

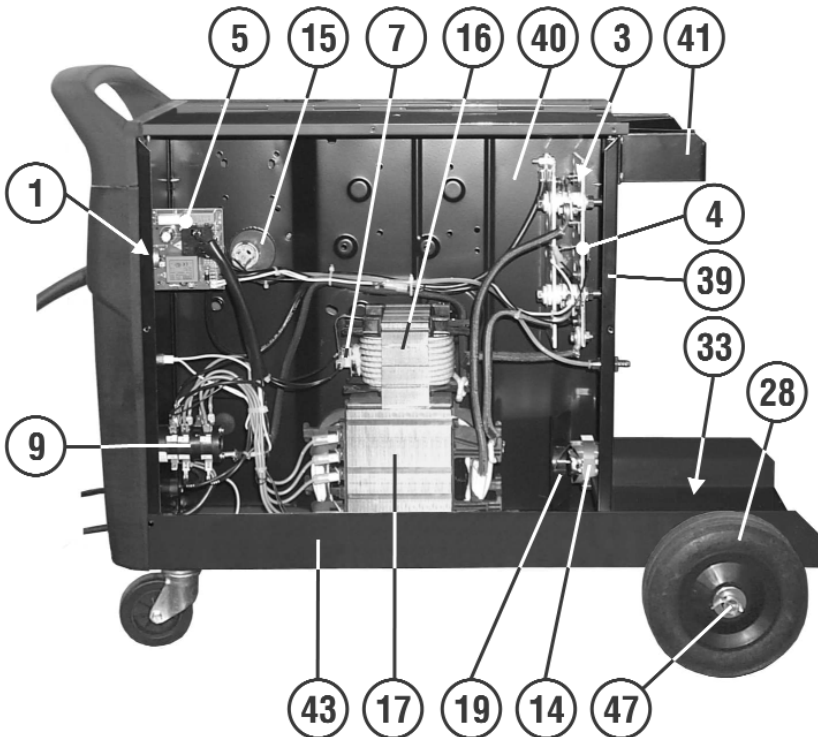
Sole UK Distributor  
Sealey Group,  
Bury St. Edmunds, Suffolk.

01284 757500  
01284 703534

[www.sealey.co.uk](http://www.sealey.co.uk)  
[sales@sealey.co.uk](mailto:sales@sealey.co.uk)



Issue Date: 240305  
Issue No: 2

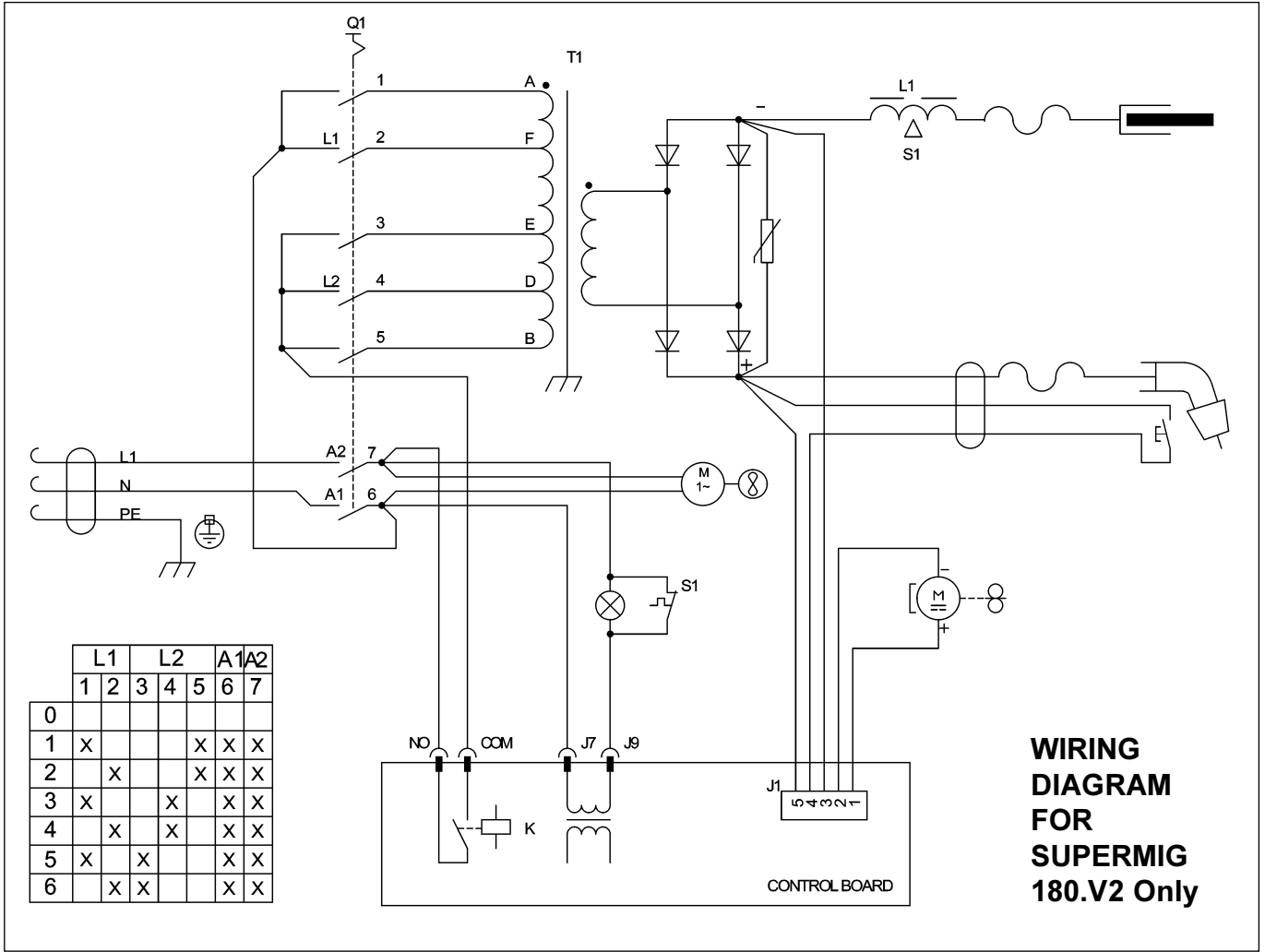


Item	Part No	Description
1	120.113533	Potentiometer
2	120/112125	Knob,Potentiometer
3	120/112183	Protection,rectifier
4	120/112227	Rectifier
5	120.114303	Wire feed PCB
6	120/322901	Switch knob
7	120.122525	Thermostat
9	120.121510	Switch
10	120/122529	Signal lamp
12	120.120302	Cable
13	MC3X2.5	Mains cable
14	120/152080	Fan motor
15	120/153900	Wire feed motor
16	120/169371	Reactance
17	120.169296	Transformer
18	B/609Z	Pressure roller bearing
19	120/312025	Fan blade
20	120/322112	Cable bushing
21	120/322126	Roll support
22	120/322127	Torch fixing case
23	120/322128	Pressure roll bracket
24	120/322143	Ring Nut
25	120/322172	Spindle
26	120/322173	Reel ring nut
27	120/322174	Reel handwheel
28	120/322201	Fixed wheel
29	120/322245	Wheel for castor
30	120.322640	Plastic frame
32	120/422257	Wire feed tension knob
33	120/422817	Axle bracket
34	120/422820	Castor bracket
35	120/432102	Bull nose adaptor (not shown)
36	120/452022	Spring - counter roller tension
37	120/452065	Reel spring
38	120/312328	Handle
39	120/644828	Back panel
40	120/644176	Diaphragm
41	120/644606	Bracket for bottle
42	120.649562	Front panel
43	120.644961	Bottom (black)
44	120.655310	Cover
46	120.655309	Door
47	120.681092	Wheel axle
48	120/712030	Work clamp
49	120/722019	Feed roller 0.6,0.8
50	REG/MT	Gas regulator (not shown)
51	120/742405	Torch
54	120/990097	Gas hose kit
55	120/990251	Gears kit
56	120/990288	Reel kit

**NOTE:** It is our policy to continually improve products and as such we reserve the right to alter data, specifications and component parts without prior notice.

**IMPORTANT:** No liability is accepted for incorrect use of product. **WARRANTY:** Guarantee is 12 months from purchase date, proof of which will be required for any claim.

**INFORMATION:** For a copy of our latest catalogue and promotions call us on 01284 757525 and leave your full name and address including your postcode.



**WIRING  
DIAGRAM  
FOR  
SUPERMIG  
180.V2 Only**

**NOTE:** It is our policy to continually improve products and as such we reserve the right to alter data, specifications and component parts without prior notice.

**IMPORTANT:** No liability is accepted for incorrect use of product. **WARRANTY:** Guarantee is 12 months from purchase date, proof of which will be required for any claim.

**INFORMATION:** For a copy of our latest catalogue and promotions call us on 01284 757525 and leave your full name and address including your postcode.

	<b>Sole UK Distributor</b> Sealey Group, Bury St. Edmunds, Suffolk.	01284 757500 01284 703534	<a href="http://www.sealey.co.uk">www.sealey.co.uk</a> <a href="mailto:sales@sealey.co.uk">sales@sealey.co.uk</a>
--	---	------------------------------	--